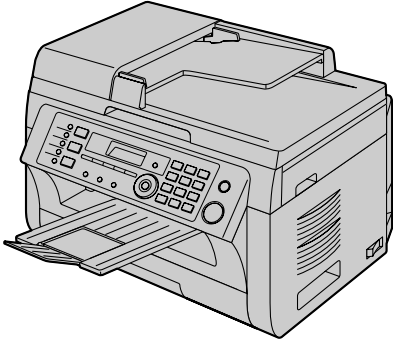


Panasonic®

Operating Instructions



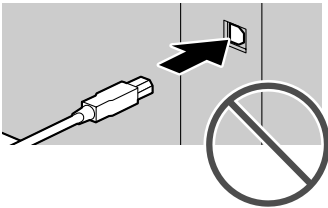
This pictured model is KX-MB2030.

Multi-Function Printer

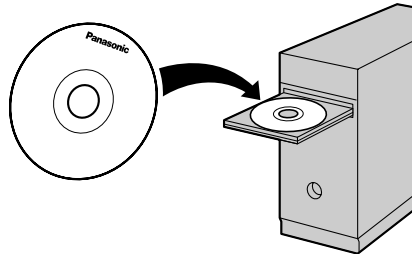
Model No. **KX-MB2000E**
KX-MB2010E
KX-MB2025E
KX-MB2030E

Do NOT connect the unit to a computer with the USB cable until prompted to do so during the setup of Multi-Function Station (CD-ROM).

1



2



KX-MB2025/KX-MB2030 only:

- This unit is compatible with Caller ID. You must subscribe to the appropriate service offered by your service provider/telephone company.

Thank you for purchasing a Panasonic product.

Caution:

- **Do not rub or use an eraser on the printed side of the recording paper, as the print may smear.**

Notice for product disposal, transfer, or return:

- This product can store your private/confidential information. To protect your privacy/confidentiality, we recommend that you erase the information from the memory before you dispose of, transfer or return the product.

Environment:

- Panasonic's strategic direction incorporates concern for the environment into all aspects of the product life cycle, from product development to energy saving designs; from greater product reusability to waste-conscious packaging practices.

Note:

- The suffix in the model number will be omitted in these instructions.
- Most figures shown in these instructions are based on a KX-MB2030.

Trademarks:

- Microsoft, Windows, Windows Vista, Internet Explorer and PowerPoint are either registered trademarks or trademarks of Microsoft Corporation in the United States and/or other countries.
- Pentium is a trademark of Intel Corporation in the U.S. and other countries.
- Screen shots reprinted with permission from Microsoft Corporation.
- Adobe and Reader are either registered trademarks or trademarks of Adobe Systems Incorporated in the United States and/or other countries.
- Avery is a registered trademark of Avery Dennison Corporation.
- XEROX is a registered trademark of Xerox Corporation.
- All other trademarks identified herein are the property of their respective owners.

Copyright:

- This material is copyrighted by Panasonic System Networks Co., Ltd., and may be reproduced for internal use only. All other reproduction, in whole or in part, is prohibited without the written consent of Panasonic System Networks Co., Ltd.

© Panasonic System Networks Co., Ltd. 2009

For your safety

Laser radiation

CLASS 1 LASER PRODUCT



The printer of this unit utilises a laser. Use of controls or adjustments or performance of procedures other than those specified herein may result in hazardous radiation exposure.

Laser diode properties

Laser output : Max. 15 mW
 Wavelength : 760 nm – 800 nm
 Emission duration : Continuous

LED light

CLASS 1 LED PRODUCT



Do not view directly with optical instruments.

LED light of CIS properties

LED radiation output : Max. 1 mW
 Wavelength :
 Red 630 nm typ.
 Green 520 nm typ.
 Blue 465 nm typ.
 Emission duration : Continuous

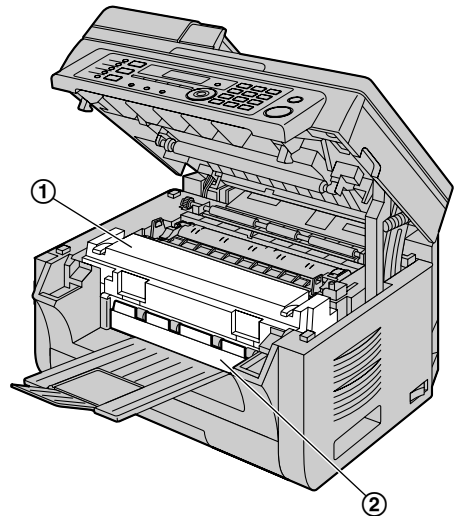
Fuser unit



During or immediately after printing, the fuser unit (①) gets hot. This is normal. Do not touch the fuser unit.

Note:

- The area near the output tray (②) may also get warm. This is normal.



For best performance

Toner cartridge and drum cartridge

- When replacing the toner cartridge or drum cartridge, do not allow dust, water, or liquids to come in contact with the drum. This may affect print quality.
- For optimal performance, genuine Panasonic toner cartridges and drum cartridges are recommended. We cannot be responsible for problems that may be caused by a non-Panasonic toner cartridge or drum cartridge:
 - Damage to the unit
 - Poor print quality
 - Improper operation

Toner cartridge

- Do not leave the toner cartridge out of the protective bag for a long time. It will decrease the toner life.

Drum cartridge

- Read the instructions on page 10 before you begin installation of the drum cartridge. After you have read them, open the drum cartridge protective bag. The drum cartridge contains a photosensitive drum. Exposing it to light may damage the drum. Once you have opened the protective bag:
 - Do not expose the drum cartridge to light for more than 5 minutes.
 - Do not touch or scratch the black drum surface.
 - Do not place the drum cartridge near dust or dirt, or in a high humidity area.
 - Do not expose the drum cartridge to direct sunlight.
- To extend the life of the drum cartridge, the power switch should never be turned OFF immediately after

Important Information

printing. Leave the power turned ON for a minimum of 30 minutes after printing.

Location

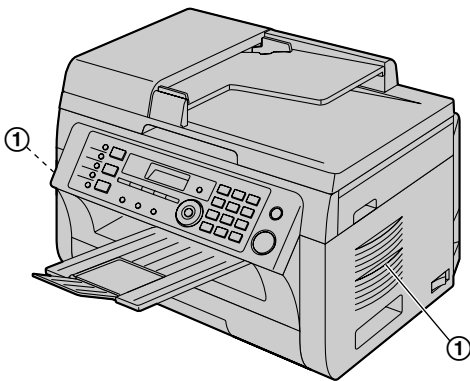
- To avoid malfunction, do not position the unit near appliances such as TVs or speakers which generate an intense magnetic field.

Static electricity

- To prevent static electricity damage to the interface connectors or other electrical components inside the unit, touch a grounded metal surface before touching the components.

Environment

- Keep the unit away from electrical noise generating devices, such as fluorescent lamps and motors.
- The unit should be kept free from dust, high temperature and vibration.
- The unit should not be exposed to direct sunlight.
- Do not place heavy objects on top of the unit. When you leave the unit unused for a long period of time, unplug this unit from the power outlet.
- The unit should be kept away from heat sources such as heaters, kitchen stoves, etc. Damp basements should also be avoided.
- During the printing process, heat is used to fuse toner onto the page. As a result, it is normal for the machine to produce an odour during and shortly after printing. Be sure to use this unit in an area with proper ventilation.
- Do not cover slots or openings on the unit. Inspect the air circulation vents regularly and remove any dust build-up with a vacuum cleaner (①).

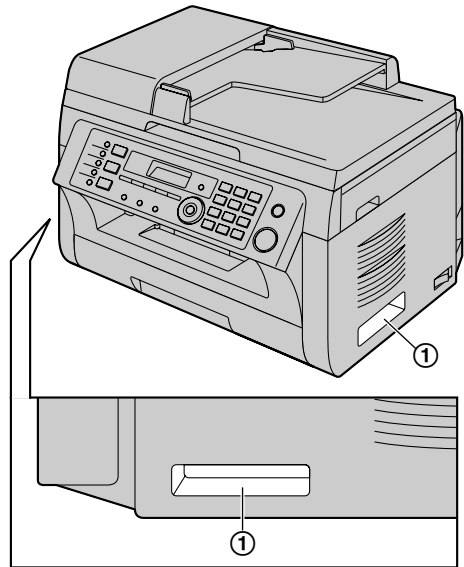


Routine care

- Wipe the outer surface of the unit with a soft cloth. Do not use benzine, thinner, or any abrasive powder.

Moving the unit

When moving the unit, hold by the grips (①) on both sides.



Illegal copies

- **It is unlawful to make copies of certain documents.**

Copying certain documents may be illegal in your country. Penalties of fines and/or imprisonment may be imposed on those found guilty. The following are examples of items that may be illegal to copy in your country.

- Currency
- Bank notes and cheques
- Bank and government bonds and securities
- Passports and identification cards
- Copyright material or trademarks without the consent of the owner
- Postage stamps and other negotiable instruments

This list is not inclusive and no liability is assumed for either its completeness or accuracy. In case of doubt, contact your legal counsel.

Notice:

- Install your machine near a supervised area to prevent illegal copies from being made.

1. Introduction and Installation

Accessories

- 1.1 Supplied accessories7
- 1.2 Accessory information7

Finding the Controls

- 1.3 Button descriptions8
- 1.4 Overview9

Installation

- 1.5 Toner cartridge and drum cartridge10
- 1.6 Output tray13
- 1.7 Recording paper14

2. Preparation

Connections and Setup

- 2.1 Connections17
- 2.2 Turning the power switch ON18
- 2.3 Selecting the operation mode (Scan/Copy)
(Fax: KX-MB2025/KX-MB2030 only)18

Document Requirements

- 2.4 Setting the original19

Help

- 2.5 Help function (KX-MB2025/KX-MB2030
only)20

Volume

- 2.6 Adjusting the volume (KX-MB2025/
KX-MB2030 only)21

Initial Programming

- 2.7 Date and time21
- 2.8 Your logo (KX-MB2025/KX-MB2030
only)22
- 2.9 Your fax number (KX-MB2025/KX-MB2030
only)23
- 2.10 Configuring the unit to access the LAN
(KX-MB2000/KX-MB2010/KX-MB2030
only)23
- 2.11 Installing Multi-Function Station24
- 2.12 Starting Multi-Function Station26

3. Printer

Printer

- 3.1 Printing from Windows applications28
- 3.2 Easy Print Utility29

4. Scanner

Scanner

- 4.1 Scanning from the unit (Push Scan)30
- 4.2 Scanning from a computer (Pull
Scan)33

5. Copier

Copy

- 5.1 Making a copy34
- 5.2 More copying features35

6. Fax (KX-MB2025/KX-MB2030 only)

Sending Faxes

- 6.1 Sending a fax manually41
- 6.2 Storing items for the one-touch dial feature and
phonebook42
- 6.3 Sending a fax using one-touch dial feature and
phonebook43
- 6.4 Broadcast transmission44
- 6.5 Sending an electronic document as a fax
message from your computer46

Receiving Faxes

- 6.6 Selecting the way to use your unit46
- 6.7 Receiving a fax automatically – Auto answer
ON47
- 6.8 Receiving a fax manually – Auto answer
OFF48
- 6.9 Using the unit with an answering
machine49
- 6.10 Receive polling (retrieving a fax placed on
another fax machine)50
- 6.11 Junk fax prohibitor (preventing fax reception
from undesired callers)50
- 6.12 Receiving a fax on your computer51
- 6.13 Web fax preview (KX-MB2030, LAN
connection only)52

7. Caller ID (KX-MB2025/ KX-MB2030 only)

Caller ID

- 7.1 Caller ID service53
- 7.2 Viewing and calling back using caller
information53
- 7.3 Editing a caller's telephone number before
calling back/storing53
- 7.4 Erasing caller information54
- 7.5 Storing caller information54

8. Programmable Features

Features Summary

- 8.1 Programming55
- 8.2 Basic features56
- 8.3 Fax features (KX-MB2025/KX-MB2030
only)60
- 8.4 Copy features65
- 8.5 PC print features66
- 8.6 Scan features67
- 8.7 LAN features (KX-MB2000/KX-MB2010/
KX-MB2030 only)69
- 8.8 Network features (KX-MB2000/KX-MB2010/
KX-MB2030, LAN connection only)72

9. Useful Information

Useful Information

- 9.1 Character entry73
- 9.2 Status of the unit74
- 9.3 Cancelling the operations75

10. Help

Reports and Displays

- 10.1 Report messages (KX-MB2025/KX-MB2030 only)76
- 10.2 Display messages77

Troubleshooting

- 10.3 When a function does not work80

11. Paper Jams

Jams

- 11.1 Recording paper jam88
- 11.2 Document jams (Automatic document feeder) (KX-MB2010/KX-MB2025/KX-MB2030 only)93

12. Cleaning

Cleaning

- 12.1 Cleaning the white plates and glass95
- 12.2 Cleaning the document feeder rollers (KX-MB2010/KX-MB2025/KX-MB2030 only)98

13. General Information

Printed Reports

- 13.1 Reference lists and reports99

Specifications

- 13.2 Specifications99

Copyrights

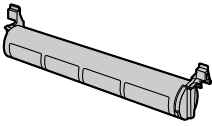
- 13.3 Information of copyrights and licences (KX-MB2000/KX-MB2010/KX-MB2030 only)102

14. Index

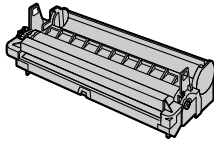
- 14.1 Index.....114

1.1 Supplied accessories

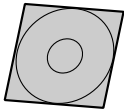
- ① Toner cartridge (starter)*1



- ② Drum cartridge (KX-FAD412X)*3



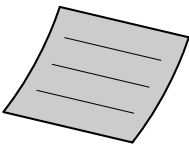
- ③ CD-ROM (PNJKMB2030Z)*3



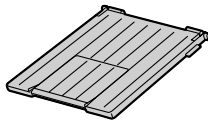
- ④ Important information guide (PNQW2141Z)*3



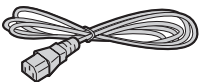
- ⑤ Quick installation guide (PNQW1881Y)*3



- ⑥ Output tray (White: PNZEMB2030EW)*3 (Black: PNZEMB2030EB)*3



- ⑦ Mains lead (PFJA03A008Y)*3



- ⑧ Telephone line cord (PQJA87S)*2*3*4



- ⑨ One-touch dial label (PNGD1019W)*2*3 (page 42)



*4 For UK.

Note:

- Save the original carton and packing materials for future shipping and transportation of the unit.
- After unpacking the product, take care of the packing materials and/or power plug cap appropriately.

1.2 Accessory information

To ensure that the unit operates properly, we recommend the use of Panasonic toner and drum cartridges.

1.2.1 Sales and Support Information

Customer Care Centre

- For customers within the UK:
0844 844 3878 (for fax machine)
0844 844 3867 (for MFP)
- For customers within the Republic of Ireland:
01 6130082 (for fax machine)
01 2898255 (for MFP)
- Visit our website for product information
- E-mail: customer.care@panasonic.co.uk

Direct Sales at Panasonic UK

- Order accessory and consumable items for your product with ease and confidence by phoning our Customer Care Centre Monday - Thursday 9:00am - 5:30pm, Friday 9:30am - 5:30pm (Excluding public holidays).
- Or go on line through our Internet Accessory ordering application at www.panasonic.co.uk.
- Most major credit and debit cards accepted.
- All enquires transactions and distribution facilities are provided directly by Panasonic UK Ltd.
- It couldn't be simpler!
- Also available through our Internet is direct shopping for a wide range of finished products, take a browse on our website for further details.

■ Replacement accessory

– Toner cartridge

- **Model No. (Part No.): KX-FAT411X**
- Prints about 2,000 pages at ISO/IEC 19752 standard page.

– Drum cartridge

- **Model No. (Part No.): KX-FAD412X**

Note:

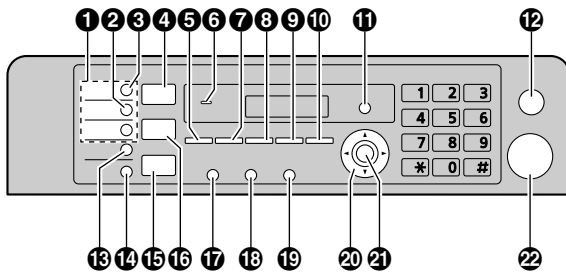
- ISO/IEC 19752 standard is as follows:
 - Environment: 23 ± 2 °C / 50 ± 10% RH
 - Print mode: Continuous printing

*1 Prints about 500 pages at ISO/IEC 19752 standard page.

*2 KX-MB2025/KX-MB2030 only

*3 Part numbers are subject to change without notice.

1.3 Button descriptions



1 [Station keys] (KX-MB2025/KX-MB2030 only)

- To use the one-touch dial feature (page 42, 43).

2 [Manual Broad] (KX-MB2025/KX-MB2030 only)

- To send a document to multiple parties by using the dial keypad (page 44).

3 [Broadcast] (KX-MB2025/KX-MB2030 only)

- To send a document to multiple parties (page 44).

4 [Scan]

- To switch to the scan mode (page 18, 30).

5 [Copy Size]

- To select the copy size (page 34).

[Phonebook] (KX-MB2025/KX-MB2030 only)

- To initiate the phonebook (page 42, 45).

6 For beep sounds (KX-MB2000/KX-MB2010 only)

- Key beeps etc. will be heard.

7 [Contrast]

- To select the contrast when copying (page 34).
- To select the contrast when sending a fax (KX-MB2025/KX-MB2030 only) (page 41).

8 [Resolution]

- To select the resolution when copying (page 34).
- To select the resolution when sending a fax (KX-MB2025/KX-MB2030 only) (page 41).

9 [Zoom]

- To enlarge or reduce a document when copying (page 35).

[Quick Scan] (KX-MB2025/KX-MB2030 only)

- To store a scanned document into memory, and then send it (page 42).

10 [Page Layout]

- To make copies using various page layouts (page 36).

[Caller ID] (KX-MB2025/KX-MB2030 only)

- To use Caller ID features (page 53).

11 [Menu]

- To start or exit programming.

12 [Stop]

- To stop an operation or programming session.
- To erase a character/number.

13 [Lower] (KX-MB2025/KX-MB2030 only)

- To select station 4–6 for the one-touch dial feature (page 42, 43).

14 [Fax Auto Answer] (KX-MB2025/KX-MB2030 only)

- To turn the auto answer setting ON/OFF (page 47).

15 [Fax] (KX-MB2025/KX-MB2030 only)

- To switch to the fax mode (page 18, 41).

16 [Copy]

- To switch to the copy mode (page 18, 34).

17 [Redial][Pause] (KX-MB2025/KX-MB2030 only)

- To redial the last number dialed. If the line is busy when you send a fax, the unit will automatically redial the number 5 times.
- To insert a pause during dialling.

18 [Recall] (KX-MB2025/KX-MB2030 only)

- To access special telephone services or for transferring extension calls.

19 [Monitor] (KX-MB2025/KX-MB2030 only)

- To initiate dialling.

When you press **[Monitor]** while receiving a call, you will be able to hear the other party, but the other party will not be able to hear you.

20 Navigator key

- To select desired settings.
- To adjust the volume (KX-MB2025/KX-MB2030 only) (page 21).
- To search for a stored item (KX-MB2025/KX-MB2030 only) (page 43).

21 [Set]

- To store a setting during programming.

22 [Start]

- To copy a document (page 34).
- To scan a document (push scan) (page 30).
- To send a fax (KX-MB2025/KX-MB2030 only) (page 41).

Recall button (to use the recall feature) (KX-MB2025/KX-MB2030 only)

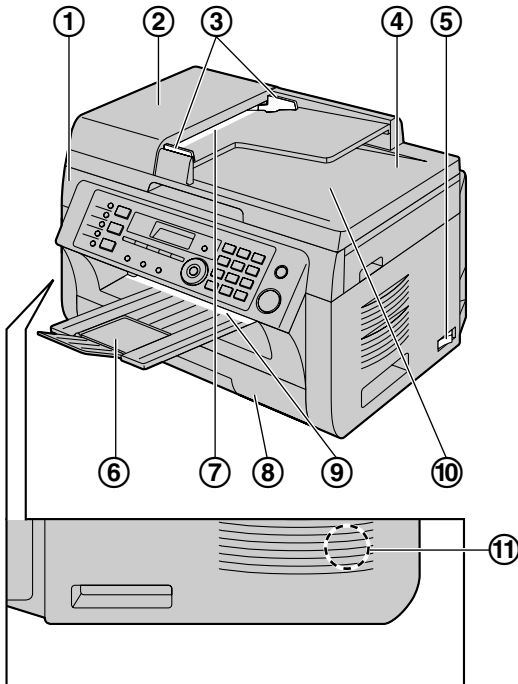
[Recall] is used to access optional telephone services. Contact your telephone service provider for further details.

Note:

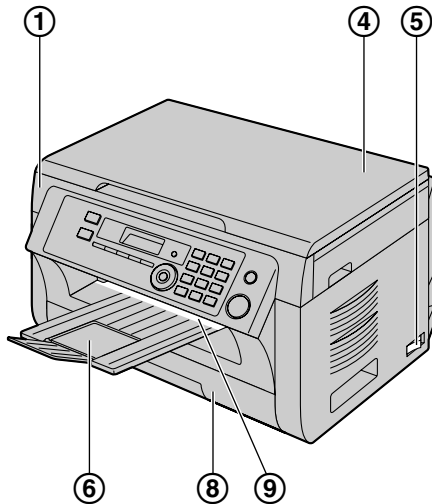
- If your unit is connected to a PBX, pressing **[Recall]** allows you to access some features of your host PBX such as transferring an extension call.

1.4 Overview

1.4.1 Front view



*The pictured model is KX-MB2030.

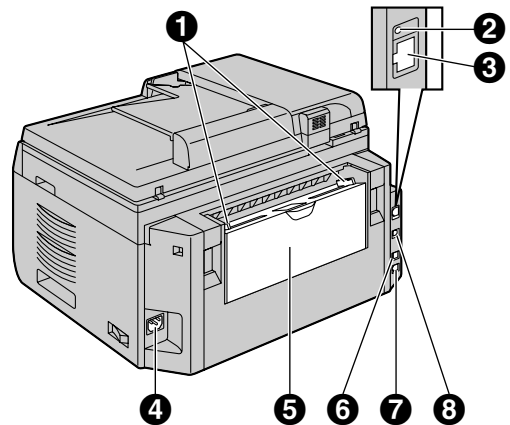


*The pictured model is KX-MB2000.

- ① Top cover
- ② ADF (Automatic Document Feeder) cover (KX-MB2010/KX-MB2025/KX-MB2030 only)

- ③ Document guides (KX-MB2010/KX-MB2025/KX-MB2030 only)
- ④ Document cover
- ⑤ Power switch
- ⑥ Output tray
- ⑦ Document entrance (KX-MB2010/KX-MB2025/KX-MB2030 only)
- ⑧ Paper input tray
- ⑨ Recording paper exit
- ⑩ Document exit (KX-MB2010/KX-MB2025/KX-MB2030 only)
- ⑪ Speaker (KX-MB2025/KX-MB2030 only)

1.4.2 Rear view



- ① Recording paper guides
- ② LED (KX-MB2000/KX-MB2010/KX-MB2030 only)
- ③ LAN interface connector (KX-MB2000/KX-MB2010/KX-MB2030 only)
 - 10Base-T/100Base-TX
- ④ AC-in socket
- ⑤ Manual input tray (Rear cover)
- ⑥ External telephone socket (KX-MB2025/KX-MB2030 only)
- ⑦ Telephone line socket (KX-MB2025/KX-MB2030 only)
- ⑧ USB interface connector

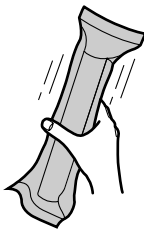
1.5 Toner cartridge and drum cartridge

The supplied toner cartridge is a starter toner cartridge.

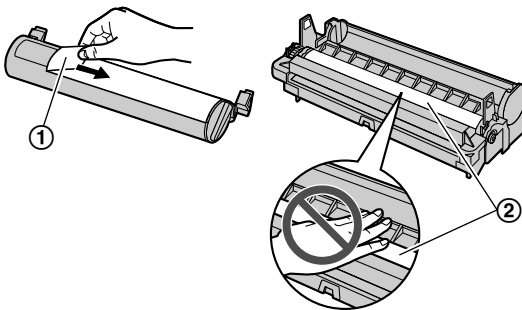
Caution:

- Read the following instructions before you begin installation. After you have read them, open the drum cartridge protective bag. The drum cartridge contains a photosensitive drum. Exposing it to light may damage the drum. Once you have opened the protective bag:
 - Do not expose the drum cartridge to light for more than 5 minutes.
 - Do not touch or scratch the black drum surface inside of the drum cartridge.
 - Do not place the drum cartridge near dust or dirt, or in a high humidity area.
 - Do not expose the drum cartridge to direct sunlight.
- Do not leave the toner cartridge out of the protective bag for a long time. It will decrease the toner life.
- We cannot be responsible for any damage to the unit or degradation of print quality which may occur from the use of a non-Panasonic toner and drum cartridges.
- Do not add toner to the toner cartridge.

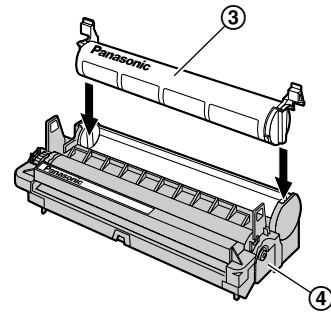
- 1 Before opening the protective bag of the new toner cartridge, shake it vertically more than 5 times.



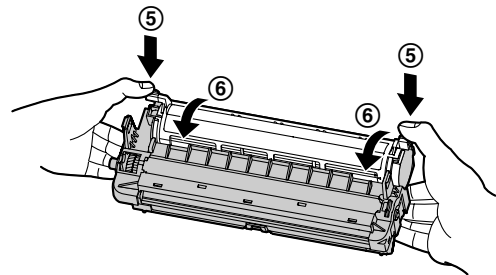
- 2 Remove the toner cartridge and drum cartridge from the protective bags. Peel off the seal (①) from the toner cartridge.
 - Do not touch or scratch the black drum surface (②).



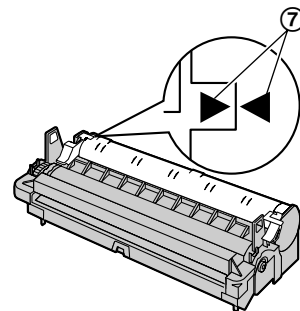
- 3 Place the toner cartridge (③) into the drum cartridge (④) vertically.



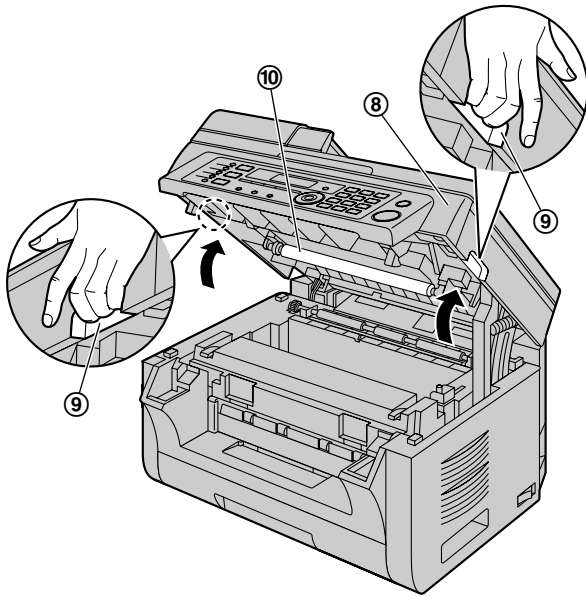
- 4 Press down the toner cartridge firmly (⑤). Keep pressing while turning the green lever on each side of the toner cartridge towards you (⑥).



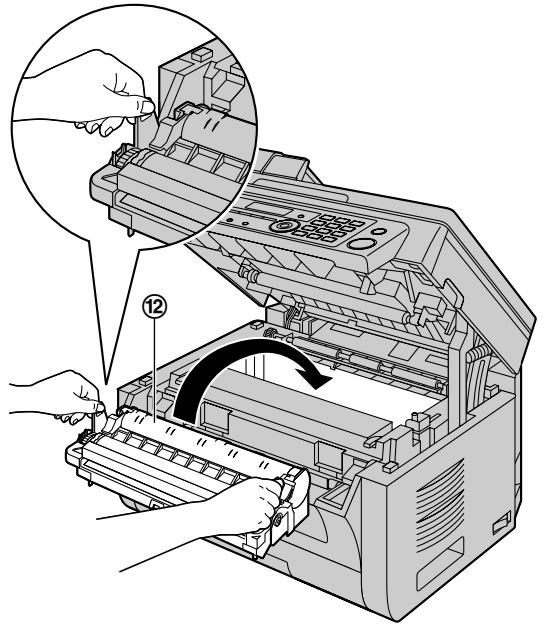
- 5 Make sure that the arrows (⑦) match, to install the toner cartridge correctly.



6 Open the top cover (8) by holding the indentations (9) on both sides of the unit.



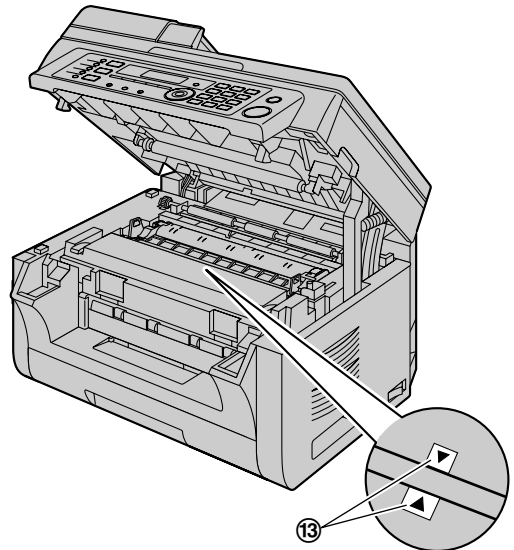
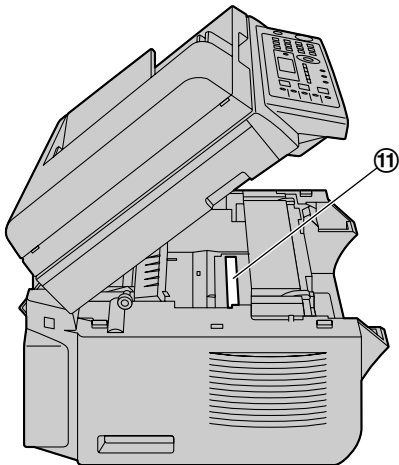
7 Install the drum and toner cartridge (12) by holding the tabs.



Note:

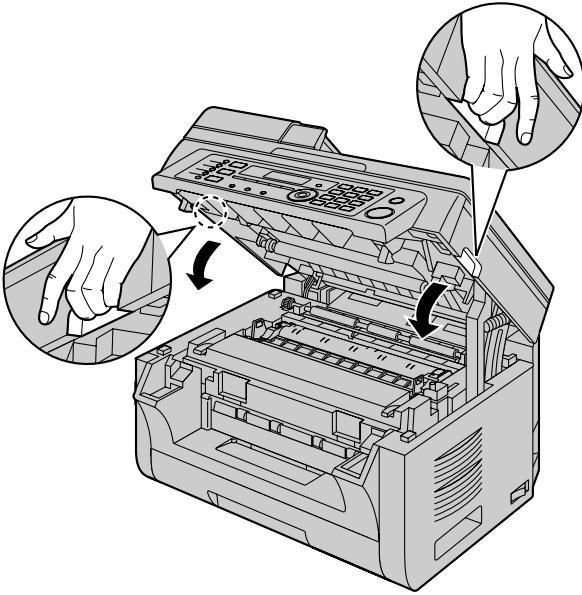
- Do not touch the transfer roller (10).
- If the lower glass (11) is dirty, clean it with a soft and dry cloth.

- Make sure that the arrows (13) match, to install the drum and toner cartridge correctly.



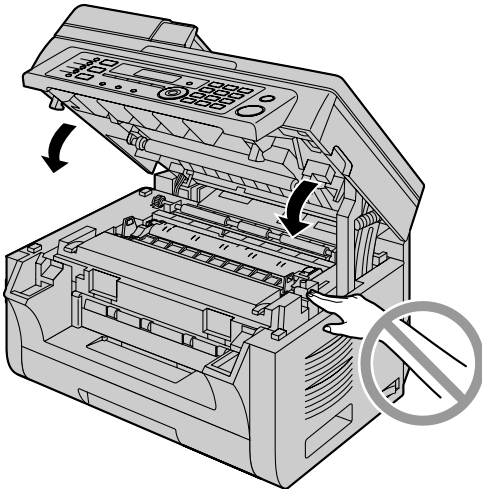
1. Introduction and Installation

- 8 Close the top cover by holding the indentations on both sides of the unit, until locked.



Caution:

- To prevent injuries, be careful not to put your hands under the top cover.



When to replace the toner cartridge and the drum cartridge

When the display shows the following, replace the toner cartridge.

- "TONER LOW"
- "TONER EMPTY"

Note:

- To check the drum life and quality, please print the printer test list (page 99) and refer to page 101 for information on the drum life. If printing quality is still

poor or "REPLACE DRUM" appears on the display, replace the toner cartridge and drum cartridge.

- To ensure that the unit operates properly, we recommend the use of **Panasonic toner and drum cartridges**. See page 7 for accessory information.
- To maintain print quality and machine life, we recommend you to clean slots and openings (page 4) and the inside of the unit (page 95, page 98) when replacing the toner cartridge and/or drum cartridge.
- See page 101 for information on toner life and drum life.

Waste disposal method

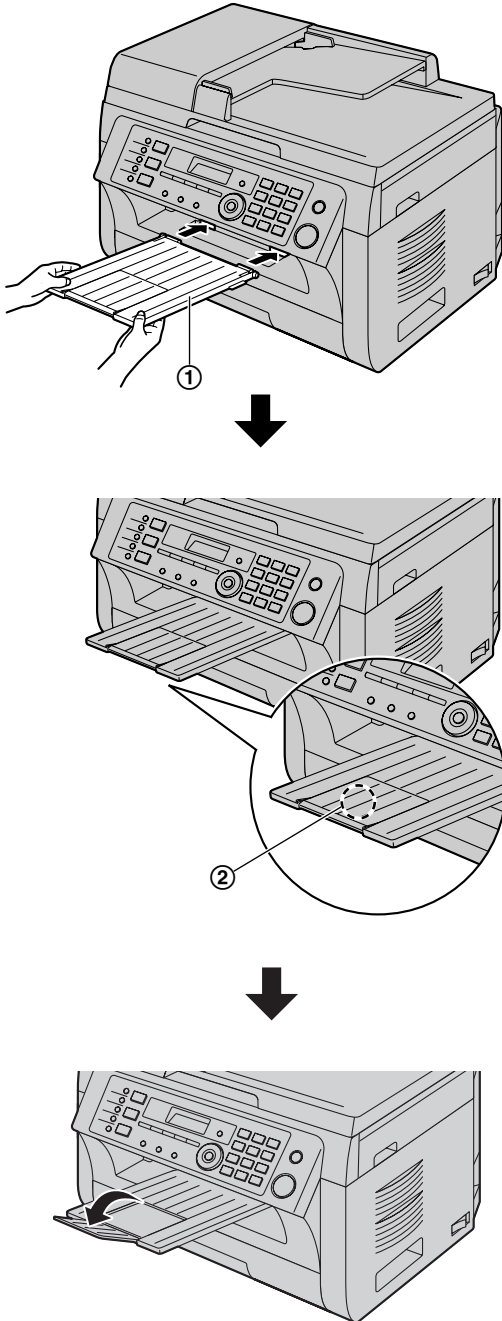
Waste material should be disposed of under conditions which meet all national and local environmental regulations.

Toner save feature

If you want to reduce toner consumption, set the toner save setting to ON (feature #482 on page 59). The toner cartridge will last approximately 20 % longer. This feature may lower the print quality.

1.6 Output tray

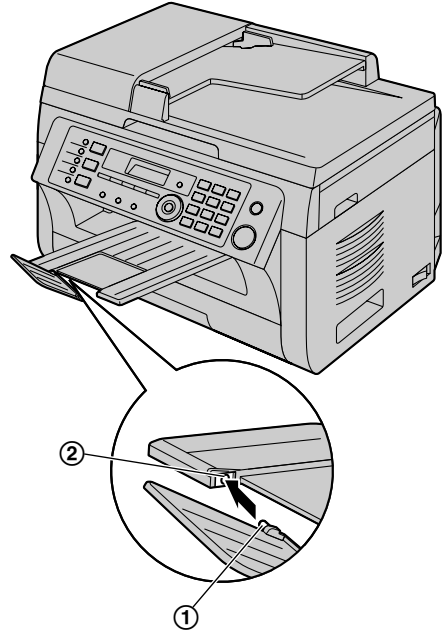
Insert the output tray extender (①) until it clicks into place, and then press the centre part (②) of the extender to open it.



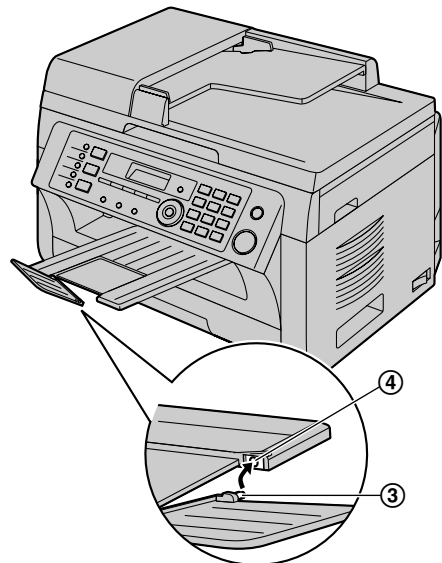
vary depending on the usage environment). Remove the printed paper before the output tray becomes full.

If the top part of the extender is detached

1. With the top part of the extender in the open position, insert the tab (①) into the left hole (②) of the extender.



2. Slide the other tab (③) into the right hole (④) of the extender from below until it clicks into place.



Note:

- Do not place the unit in an area where the output tray may be easily bumped into.
- The output tray can hold up to approximately 100 sheets of printed paper (the number of sheets may

1.7 Recording paper

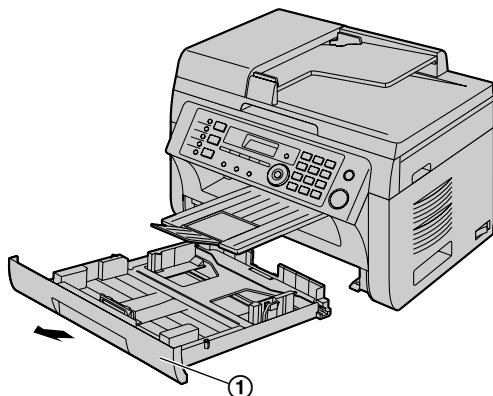
The paper input tray unit can hold:

- Up to 250 sheets of 60 g/m² to 75 g/m² paper.
- Up to 230 sheets of 80 g/m² paper.
- Up to 200 sheets of 90 g/m² paper.
- A4, letter, B5 and 16K-size paper can be used. B5 and 16K-size paper can only be used when using the unit for printing or copying.
- Please refer to page 100 for information on recording paper.
- **The unit is set for printing A4-size plain paper by default.**
 - **To use other paper sizes, change the recording paper size setting (feature #380 on page 58).**
 - **To use thin paper, change the recording paper type setting (feature #383 on page 58).**

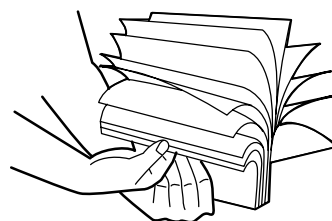
Note for recording paper:

- We recommend that you test paper (especially special sizes and types of paper) on the unit before purchasing large quantities.
- Do not use the following types of paper:
 - Paper with cotton and/or fibre content that is over 20 %, such as letterhead paper or paper used for resumes
 - Extremely smooth or shiny paper, or paper that is highly textured
 - Coated, damaged or wrinkled paper
 - Paper with foreign objects attached, such as tabs or staples
 - Paper that has dust, lint or oil stains
 - Paper that will melt, vaporize, discolour, scorch or emit dangerous fumes near 200 °C, such as vellum paper. These materials may transfer onto the fusing roller and cause damage.
- Moist paper
- Inkjet paper
- Some paper is designed to be printed on only one side. Try printing on the other side of the paper if you are not happy with the print quality, or if misfeeding occurs.
- For proper paper feeding and best print quality, we recommend using long-grained paper.
- Do not use paper of different types or thicknesses at the same time. This may cause paper jams.
- Avoid double-sided printing.
- Do not use paper printed from this unit for double-sided printing with other copiers or printers. This may cause paper jams.
- To avoid curling, do not open paper packs until you are ready to use the paper. Store unused paper in the original packaging, in a cool and dry location.
- For customers who live in high humidity areas: Please be sure to store paper in an air-conditioned room at all times. If you print using moist paper, it may cause paper jam.

- 1 Pull the paper input tray (①) until it clicks into place, then pull it completely out, lifting the front part of the tray.



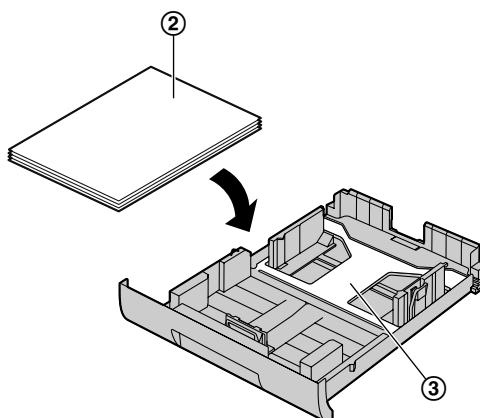
- 2 Before loading a stack of paper, fan the paper to prevent paper jams.



- 3 Load the paper, print-side up (②).

Important:

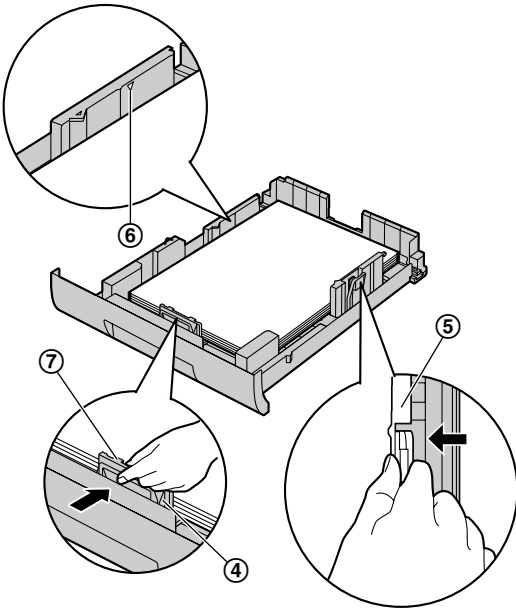
- Push down to lock the plate (③) in the paper input tray, if necessary.



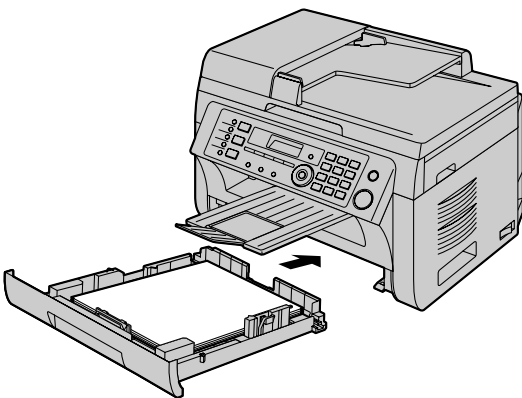
- 4 Adjust the recording paper guides. Pinch the front side of the recording paper guide (④), then slide it to

match the paper size mark. Pinch the right side of the recording paper guide (⑤), then slide it to adjust the width to the size of the recording paper.

- Make sure that the recording paper is under the paper limit mark (⑥), and the paper should not be loaded over the snubbers (⑦).



- 5 Insert the paper input tray into the unit, lifting the front part of the tray. Then push it completely into the unit.

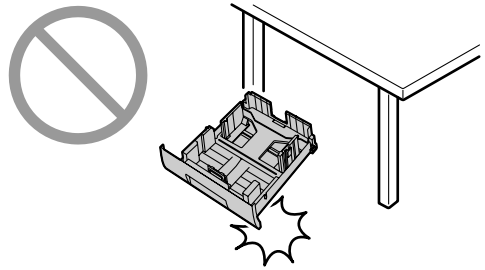


Note:

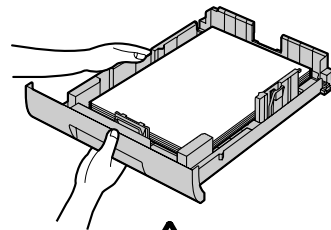
- If the paper is not loaded correctly, re-adjust the paper guides, or the paper may jam.
- If the paper input tray does not close, the plate in the paper input tray may not be in the locked position. Push the paper down and make sure that the paper is laying flat in the paper input tray.

Caution for the paper input tray

- Do not drop the paper input tray.



- Hold the paper input tray with both hands when removing or installing. The paper input tray weighs approximately 2 kg when fully loaded with recording paper.



Approx. 2 kg

1.7.1 Manual input tray

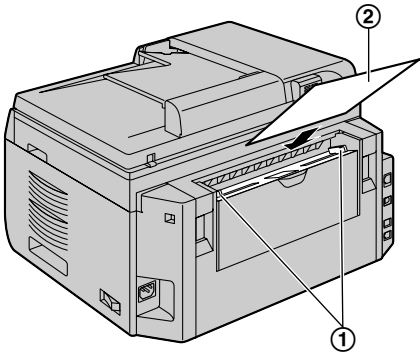
You can use the manual input tray for printing with the computer and for copying. It can hold one page at a time. When printing or copying multiple pages, add a next page after the first page has been fed into the unit.

- Please refer to page 100 for information on recording paper.
- The unit is set for printing A4-size plain paper by default.
 - To use other paper sizes, change the recording paper size setting (feature #381 on page 58).
 - To use thin paper, change the recording paper type setting (feature #384 on page 58).

- 1 Adjust the width of the guides (①) to the size of the recording paper.

1. Introduction and Installation

- 2 Insert the paper, print-side down (②) until the unit grasps the paper and a single beep is heard.



Note:

- To print from the manual input tray;
 - when printing with the computer, select #2 for the printer properties.
 - when making a copy, set the copy input tray setting to “#2” beforehand (feature #460 on page 65).

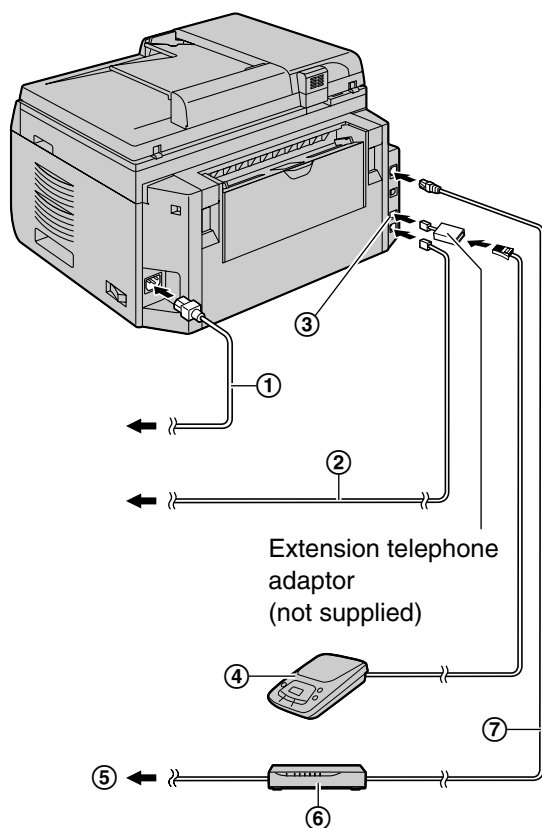
If these settings are not changed, when printing or copying multiple pages, the 1st page will be printed from the manual input tray, but the rest of the pages will be printed from the paper input tray.

- If the paper is not inserted correctly, re-adjust the paper, or the paper may jam.

2.1 Connections

Caution:

- The mains lead must remain connected at all times.
- Never install telephone wiring during a lightning storm.
- When you operate this product, the power outlet should be near the product and easily accessible.
- Be sure to use the telephone line cord supplied with this unit (KX-MB2025/KX-MB2030 only).
- Do not extend the telephone line cord (KX-MB2025/KX-MB2030 only).



- ① Mains lead
- Connect to Household Mains Supply (220–240 V, 50 Hz).
- ② Telephone line cord*¹
- Connect to telephone network.
- ③ [EXT] socket*¹
- You can connect an answering machine or an extension telephone. Remove the stopper if attached.
- ④ Answering machine (not supplied)*¹
- ⑤ To the Internet*²

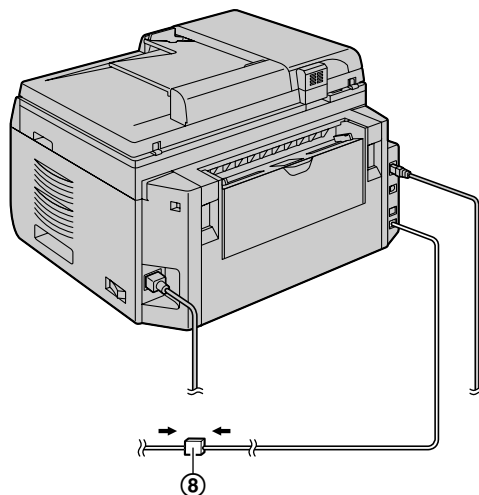
- ⑥ Network router/Network hub (not supplied)*²
- Also connect networked computers.
- ⑦ LAN cable (not supplied)*²
- To assure continued emission limit compliance, use only shielded LAN cable (category 5 straight cable).
- *1 KX-MB2025/KX-MB2030 only
*2 KX-MB2000/KX-MB2010/KX-MB2030 only

IMPORTANT NOTICE FOR THE USB CONNECTION

- DO NOT CONNECT THE UNIT TO A COMPUTER WITH THE USB CABLE UNTIL PROMPTED TO DO SO DURING THE SETUP OF MULTI-FUNCTION STATION (page 24).

Note:

- Do not place any objects within 10 cm of the right, left and back sides of the unit.
- If any other device is connected to the same telephone line, this unit may disturb the network condition of the device (KX-MB2025/KX-MB2030 only).
- If you use the unit with a computer and your internet provider instructs you to install a filter (⑧), please connect it as follows (KX-MB2025/KX-MB2030 only).



- A telephone handset cannot be connected directly to this unit. To talk to the other party, please connect an extension telephone (KX-MB2025/KX-MB2030 only).

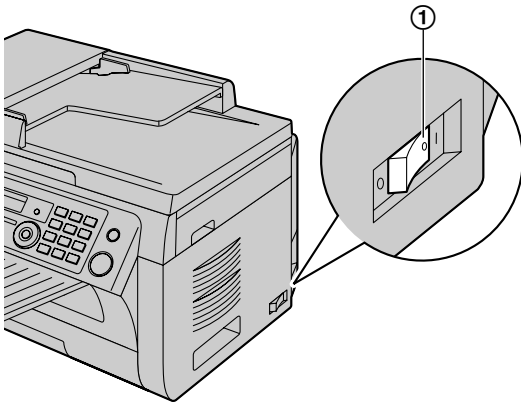
Using network router/network hub (KX-MB2000/ KX-MB2010/KX-MB2030 only)

- We recommend using network routers/network hubs (⑥) under secure network environments. Consult your network administrator for firewall settings, etc.
- The warranty does not cover damage due to security problems or any inconveniences relating to it.

2. Preparation

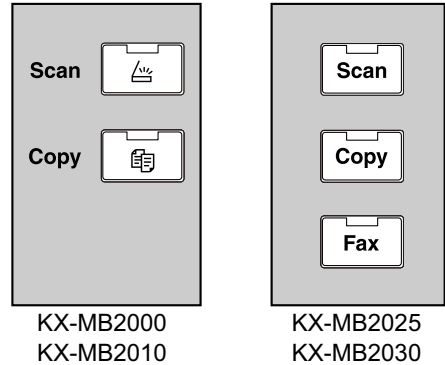
2.2 Turning the power switch ON

Turn the power switch to the ON position (①).



2.3 Selecting the operation mode (Scan/Copy) (Fax: KX-MB2025/KX-MB2030 only)

You can select the desired mode by pressing one of the following buttons.



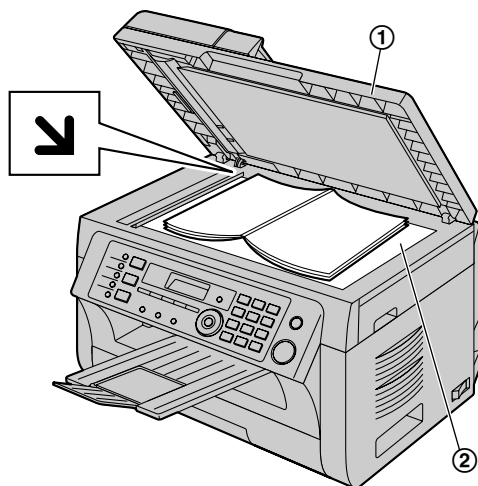
- **[Scan]**: Select this mode when using the unit as a scanner (page 30).
- **[Copy]**: Select this mode when using the unit as a copier (page 34).
- **[Fax]** (KX-MB2025/KX-MB2030 only): Select this mode when using the unit as a fax machine (page 41).

Note:

- The default operation mode is the copy mode.
- You can change the default operation mode (feature #463 on page 59) and the timer before returning to the default operation mode (feature #464 on page 59) (KX-MB2025/KX-MB2030 only).

2.4 Setting the original

2.4.1 Using the scanner glass

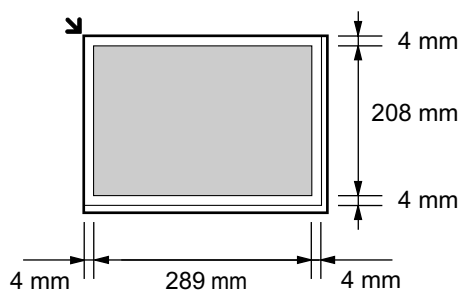


- 1 Open the document cover (①).
- 2 Place the document FACE DOWN on the scanner glass (②), aligning the top left of the document with the corner where the ↙ mark is positioned.
- 3 Close the document cover.

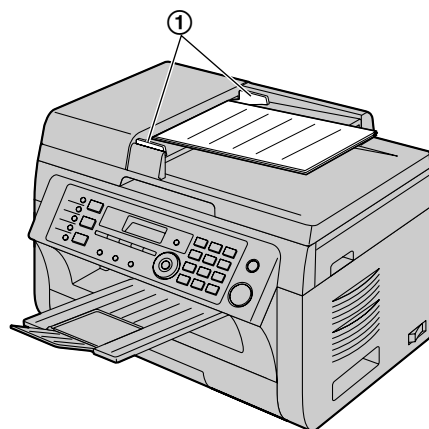
Note:

- Confirm that there are no documents in the automatic document feeder (KX-MB2010/KX-MB2025/KX-MB2030 only).
- Place the original onto the scanner glass gently. To avoid malfunction, do not press down too firmly.
- If the original is a thick book, do not close the document cover.
- Confirm that any ink, paste or correction fluid has dried completely.
- Effective scanning area is shown by the shaded area:

Effective scanning area



2.4.2 Using the automatic document feeder (KX-MB2010/KX-MB2025/KX-MB2030 only)



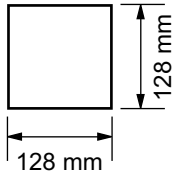
- 1 Insert the document (up to 20 pages) FACE UP into the feeder until a single beep is heard.
- 2 Adjust the width of the document guides (①) to fit the actual size of the document.

Note:

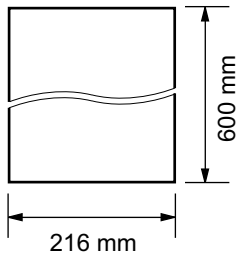
- Confirm that there are no documents on the scanner glass.
- Confirm that any ink, paste or correction fluid has dried completely.
- Remove clips, staples or other fasteners.
- Do not insert the following types of documents (Make a copy of the document using the scanner glass and set the copy instead.):
 - Chemically treated paper such as carbon or carbonless duplicating paper
 - Electrostatically charged paper
 - Badly curled, creased or torn paper
 - Paper with a coated surface
 - Paper with printing on the opposite side that can be seen through the other side, such as newsprint
- The total height of the documents when laid flat, must be less than 4 mm. If the documents exceed the capacity of the automatic document feeder, they may fall or cause a jam in the feeder.
- To set a document with a width of less than 210 mm, we recommend using the scanner glass to copy the original document onto A4 or letter-size paper, then setting the copied document for better results.
- Do not set documents that do not satisfy the requirements of size and weight. Make a copy of the document using the scanner glass and set the copy.
- Available document size, document weight and effective scanning area are as follows:

2. Preparation

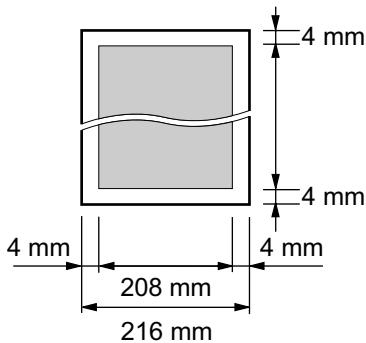
Minimum document size



Maximum document size



Effective scanning area



- Shaded area will be scanned.
- When using the unit as a scanner (page 30, 33), the effective scanning length depends on the selected paper size.

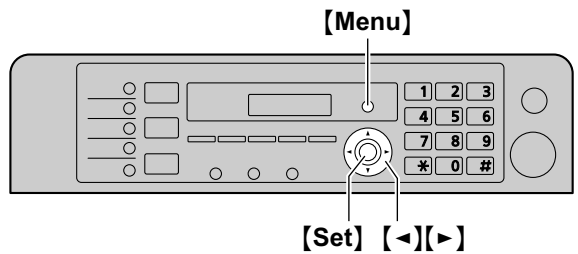
Document weight

- Single sheet:
60 g/m² to 80 g/m²
- Multiple sheets:
60 g/m² to 80 g/m²

2.5 Help function (KX-MB2025/ KX-MB2030 only)

The unit contains helpful information, which can be printed for reference.

- "BASIC SETTINGS"
- "FEATURE LIST"
- "PHONEBOOK"
- "FAX RECEIVING"
- "COPIER"
- "REPORTS"
- "CALLER ID"

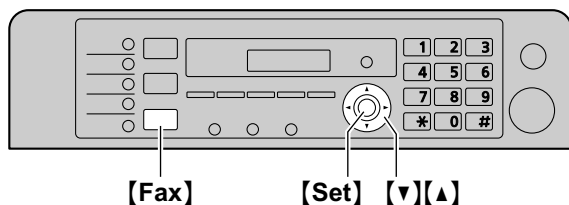


- 1 Press **[Menu]** repeatedly to display "HELP".
- 2 Press **[<]** or **[>]** repeatedly to display the desired item. → **[Set]**
- 3 Press **[Menu]** to exit.

2.6 Adjusting the volume (KX-MB2025/KX-MB2030 only)

Important:

- Before adjusting the volume, set the operation mode to fax mode. If the **[Fax]** light is OFF, turn it ON by pressing **[Fax]**.



Ringer volume

While the unit is idle, press **[v]** or **[^]**.

To turn the ringer OFF

Press **[v]** repeatedly to display "RINGER OFF= OK?".
→ **[Set]**

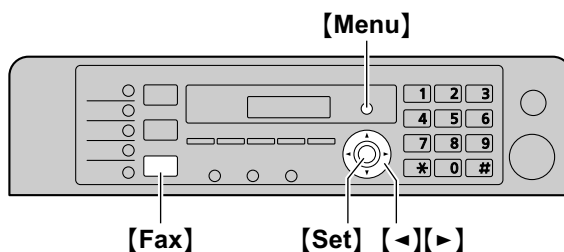
- The unit will not ring.
- To turn the ringer back ON, press **[^]**.

Monitor volume

While using the monitor, press **[v]** or **[^]**.

2.7 Date and time

We recommend you to set the date and time. The other party will receive your unit's date and time as the header information.



- 1 **[Menu]** → **[*][1][0][1]** → **[Set]**
- 2 Enter the current date/month/year by selecting 2 digits for each.
Example: 3 August, 2010
[0][3] [0][8] [1][0]
- 3 Enter the current hour/minute by selecting 2 digits for each.
Example: 10:15 PM (12 hour clock format)
 1. **[1][0] [1][5]**
 2. Press **[*]** repeatedly to select "PM".
Press **[*]** repeatedly to select "AM" or "PM", or 24-hour time entry.
- 4 **[Set]**
- 5 Press **[Menu]** to exit.

Note:

- To check the current date and time setting, press **[Fax]** to temporarily change the unit to the fax mode (KX-MB2025/KX-MB2030 only).
- Your unit's date and time will be used as the header information for the following:
 - When sending as an attached file to an email destination directly from this unit (Scan to email address) (page 31) (KX-MB2000/KX-MB2010/KX-MB2030 only).
 - When sending faxes (page 41) (KX-MB2025/KX-MB2030 only).
- If the date and time is not set correctly, the other party will receive an incorrect date and time as their header. This may confuse the other party.

To correct a mistake

Press **[<]** or **[>]** to move the cursor to the incorrect number, and make the correction.

If you have subscribed to a Caller ID service (KX-MB2025/KX-MB2030 only)

The date and time will be automatically set according to the received caller information.

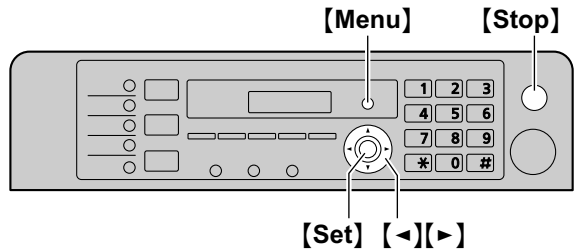
- If the time has not previously been set, Caller ID will not adjust the clock.

2. Preparation

- You can turn this feature OFF (feature #226 on page 58)

2.8 Your logo (KX-MB2025/ KX-MB2030 only)

You can program your logo (name, company name, etc.) so that it appears on the top of each page sent.



- 1 **[Menu]** → **[#][1][0][2]** → **[Set]**
- 2 Enter your logo, up to 30 characters (see page 73 for character entry). → **[Set]**
- 3 Press **[Menu]** to exit.

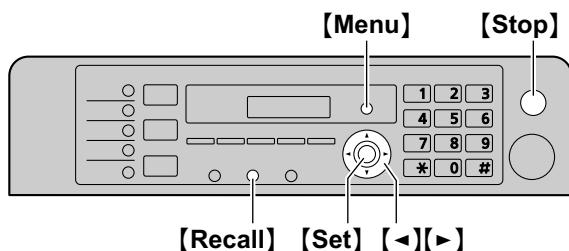
To correct a mistake

Press **[◀]** or **[▶]** to move the cursor to the incorrect character, and make the correction.

- To erase all characters, press and hold **[Stop]**.

2.9 Your fax number (KX-MB2025/ KX-MB2030 only)

You can program your fax number so that it appears on the top of each page sent.



1 [Menu] → [#][1][0][3] → [Set]

2 Enter your fax number, up to 20 digits.

- To enter a "+", press [*].
- To enter a space, press [#].
- To enter a hyphen, press [Recall].
- To erase a number, press [Stop].

3 [Set]

4 Press [Menu] to exit.

To correct a mistake

Press [◀] or [▶] to move the cursor to the incorrect number, and make the correction.

- To erase all numbers, press and hold [Stop].

2.10 Configuring the unit to access the LAN (KX-MB2000/ KX-MB2010/KX-MB2030 only)

You can print documents, scan documents, receive faxes or send faxes (KX-MB2030 only) using a computer connected to the LAN. To enable these features, you need to set the IP address, subnet mask, and default gateway in the unit.

Important:

- Consult your network administrator when setting the IP address, subnet mask, and default gateway.

2.10.1 Setting up automatically with a DHCP server

Your situation:

- When only one unit is connected to the LAN.

If your network administrator manages the network with a DHCP (Dynamic Host Configuration Protocol) server, it will automatically assign an IP (Internet Protocol) address, subnet mask, and default gateway to the unit.

1 After connecting the LAN cable to the unit and the computer, turn the power switch ON.

- The IP address, subnet mask, and default gateway will be set automatically.

2 Install Multi-Function Station on the computer that you want to use it with. See page 24 for details.

Note:

- You can connect two or more units and assign IP addresses automatically with a DHCP server, but we recommend assigning static IP addresses manually for each unit to avoid network access and configuration troubles.

2.10.2 Setting up manually

Your situation:

- When your network administrator does not manage the network with a DHCP server.
- When two or more units are connected to the LAN.

You need to assign an IP address, subnet mask, and default gateway manually.

1 [Menu]

2 Press [#][5][0][0] to display "DHCP".

3 Press [0] to select "DISABLED". → [Set]

4 Set each item.

For the IP address:

1. Press [5][0][1] to display "IP ADDRESS". → [Set]

2. Enter the IP address of the unit. → [Set]

2. Preparation

For the subnet mask:

1. Press **[5][0][2]** to display “SUBNET MASK”.
→ **[Set]**
2. Enter the subnet mask of the network. → **[Set]**

For the default gateway:

1. Press **[5][0][3]** to display “DEFAULT GATEWAY”. → **[Set]**
2. Enter the default gateway of the network. → **[Set]**

5 Press **[Menu]** to exit.

6 Install Multi-Function Station on the computer that you want to use it with. See page 24 for details.

To correct a mistake in the IP address, subnet mask, or default gateway

Press **[◀]** or **[▶]** to move the cursor to the incorrect number, and make the correction.

2.10.3 Setting the computer for PC fax reception (KX-MB2030 only)

You need to select the computer that will be used for receiving faxes.

Important:

- **Make sure the PC fax setting is set to “ALWAYS” or “CONNECTED” beforehand (feature #442 on page 63).**
- **Make sure the fax preview mode is turned OFF beforehand (feature #448 on page 52).**

1 **[Menu]** → **[#][4][4][3]** → **[Set]**

2 Press **[▼]** or **[▲]** repeatedly to select the desired computer. → **[Set]**

3 Press **[Menu]** to exit.

Note:

- If the unit is not connected to the LAN, the computer connected to the unit by USB is assigned as the default computer for PC fax reception.
- To select the desired computer easily, change the PC name beforehand (page 27).

2.11 Installing Multi-Function Station

2.11.1 Required computer environment

Panasonic Multi-Function Station software enables the unit to carry out the following functions:

- Printing on plain paper, thin paper and labels
- Previewing documents and changing printer settings before printing (Easy Print Utility)
- Scanning documents and converting an image into text with Readiris OCR software
- Scanning from other applications for Microsoft® Windows® that support TWAIN scanning and WIA scanning (Windows XP/Windows Vista®, USB connection only)
- Storing, editing or erasing items in directories using your computer (KX-MB2025/KX-MB2030 only)
- Programming the features using your computer
- Sending, receiving fax documents using your computer (KX-MB2025/KX-MB2030 only)

To use Multi-Function Station on your computer, the following are required:

Operating System:

Windows 2000/Windows XP/Windows Vista

CPU:

Windows 2000: Pentium® II or higher processor

Windows XP: Pentium III or higher processor

Windows Vista: Pentium 4 or higher processor

RAM:

Windows 2000/Windows XP: 128 MB (256 MB or more recommended)

Windows Vista: 512 MB (1,024 MB or more recommended)

Other Hardware:

CD-ROM drive

Hard disk drive with at least 200 MB of available space

USB interface

LAN interface (10Base-T/100Base-TX) (KX-MB2000/KX-MB2010/KX-MB2030 only)

Other:

Internet Explorer® 5.0 or later (KX-MB2000/KX-MB2010/KX-MB2030 only)

Warning:

- **To assure continued emission limit compliance;**
 - use only shielded USB cable (Example: Hi-Speed USB 2.0 certified cable).
 - use only shielded LAN cable (category 5 straight cable) (KX-MB2000/KX-MB2010/KX-MB2030 only).
- **To protect the unit, use only shielded USB cable in areas where thunderstorms occur.**
- **To use Easy Print Utility on your computer, the following are required:**
 - Windows 2000 Service Pack 4 and Security update for Windows 2000 (KB835732).

Install KB835732 from Microsoft download site before installing Easy Print Utility.

- Windows XP Service Pack 2 or later.

Note:

- A USB cable is not supplied. Please purchase a shielded Type-A male/Type-B male USB cable.

2.11.2 Installing Multi-Function Station on a computer

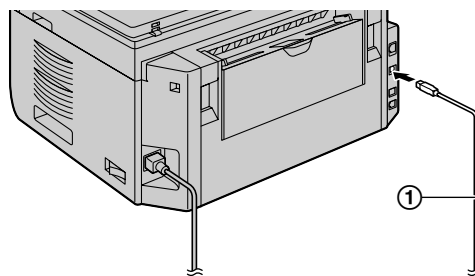
- Install Multi-Function Station (CD-ROM) before connecting the unit to a computer with the USB cable. If the unit is connected to a computer with the USB cable before installing Multi-Function Station, the [Found New Hardware Wizard] dialogue box will appear. Click [Cancel] to close it.
- The screenshots shown in these instructions are for Windows XP and are included for reference only.
- The screenshots shown in these instructions may differ slightly from those of the actual product.
- Software features and appearance are subject to change without notice.
- If you are also using KX-MB200/KX-MB700/KX-FLB880 series, see page 87.

- 1 Start Windows and exit all other applications.
 - You must be logged in as an administrator in order to install Multi-Function Station.
- 2 Insert the supplied CD-ROM into your CD-ROM drive.
 - If the [Select Language] dialogue box appears, select the language that you want to use with this software. Click [OK].
 - If the installation does not start automatically: Click [Start]. Choose [Run...]. Type "D:\Install" (where "D" is the drive letter of your CD-ROM drive). Click [OK].
(If you are not sure what the drive letter is for your CD-ROM drive, use Windows Explorer and look for the CD-ROM drive.)
- 3 [Easy Installation]
 - The installation will start automatically.
- 4 When the setup program starts, follow the on-screen instructions.
 - Easy Print Utility (page 29), Readiris OCR software (page 31) and Device Monitor (page 74) will also be installed.
- 5 The [Connect Type] dialogue box appears.

For USB connection:

1. [Connect directly with a USB cable.] → [Next]
 - The [Connect Device] dialogue box will appear.

2. Connect the unit to a computer with the USB cable (①), then click [Next].



- If the unit is connected to your computer, the model name will be automatically detected.
 - You can change the name of the unit if necessary.
3. Click [Install], then follow the on-screen instructions.
 - The files will be copied to your computer.

For LAN connection (KX-MB2000/KX-MB2010/KX-MB2030 only):

1. [Connect via the Network.] → [Next]
 - The [Select a Network Device] dialogue box will appear.
2. Check [Select in the searched list] and select the unit from the list.
 - If the name of the desired unit is not displayed on the list, and the IP address for the unit has been assigned, check [Direct input] and enter the IP address.
3. [Next]
 - You can change the name of the unit if necessary.
4. Click [Install], then follow the on-screen instructions.
 - The files will be copied to your computer.

Important notice

If you are using Windows XP or Windows Vista, a message may appear after connecting the unit with the USB cable. This is normal and the software will not cause any difficulties with your operating system. You can continue the installation with no problem. This kind of message is displayed:

- **For Windows XP users**
"The software you are installing for this hardware has not passed Windows Logo testing to verify its compatibility with Windows XP."
- **For Windows Vista users**
"Would you like to install this device software?"

To view or install the operating instructions data

1. Start Windows and insert the supplied CD-ROM into your CD-ROM drive.
2. Click [Operating Instructions], then follow the on-screen instructions to view or install the operating instructions in PDF format.
 - Adobe® Reader® is required to view the operating instructions.

2. Preparation

Note:

- If the screen prompts you to insert the CD-ROM for the operating system when installing Multi-Function Station, insert it into your CD-ROM drive.
- If you install the operating instructions, you can view it anytime by clicking [?] on the Multi-Function Station launcher.

To use another unit with the computer

You need to add the printer driver for each unit, as follows.

1. Start Windows and insert the supplied CD-ROM into your CD-ROM drive.
2. **[Modify]** → **[Add Multi-Function Station Driver]**. Then follow the on-screen instructions.

Note:

- You cannot connect more than one unit to the same computer at the same time (USB connection only).

To modify the software (To add or uninstall each component)

You can select the components to install or uninstall anytime after the installation.

You must be logged in as an administrator in order to modify Multi-Function Station.

1. Start Windows and insert the supplied CD-ROM into your CD-ROM drive.
2. **[Modify]** → **[Modify Utilities]**. Then follow the on-screen instructions.

To uninstall the software

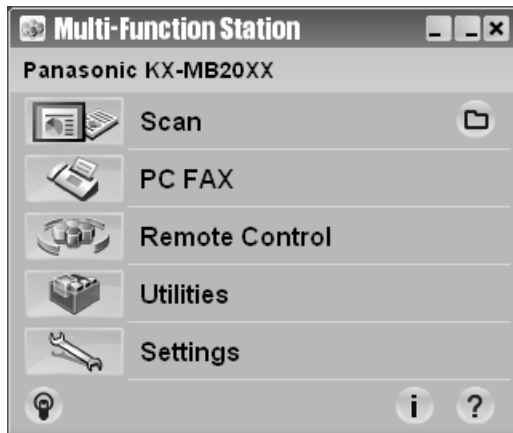
You must be logged in as an administrator in order to uninstall Multi-Function Station.

[Start] → **[All Programs]** or **[Programs]** → **[Panasonic]** → the unit's name → **[Uninstall]**. Then follow the on-screen instructions.

2.12 Starting Multi-Function Station

[Start] → **[All Programs]** or **[Programs]** → **[Panasonic]** → the unit's name → **[Multi-Function Station]**

- Multi-Function Station will appear.



[Scan] (page 33)

- To scan and display the scanned images.
- To scan and create an image file.
- To scan and send by email.
- To scan and convert an image into editable text data.

[PC FAX] (KX-MB2025/KX-MB2030 only)

- To send a document created on the computer as a fax message (page 46).
- To display a fax document received on the computer (page 51).

[Remote Control] (page 74)

- To program the features.
- To store, edit or erase items in directories.*1
- To view items in the journal report or Caller ID list.*1
- To store caller information into directories.*1
- To store or erase items for broadcast transmission.*1

*1 KX-MB2025/KX-MB2030 only

[Utilities]

- To start the Multi-Function Viewer (page 33).
- To start the Device Monitor (page 74).
- To start the OCR application (page 31).
- To start the configuration web page (page 55, 74) (KX-MB2000/KX-MB2010/KX-MB2030, LAN connection only).

[Settings] (page 27)

- To change the general settings.
- To change the settings for scanning.

[?]

- For detailed instructions on Multi-Function Station.

- To view operating instructions.

[?]

- To display usage tips.

[i]

- To display information about Multi-Function Station.

Note:

- You can confirm if the unit is connected to your computer by using Device Monitor (page 74).
- Computer features (printing, scanning, etc.) may not function properly in the following situations:
 - When the unit is connected to a computer that was custom-built by the user.
 - When the unit is connected to the computer via a PCI card or other expansion card.
 - When the unit is connected to another piece of hardware (such as a USB hub or interface adapter) and not connected directly to the computer.

To change the settings

You can change the settings for Multi-Function Station beforehand.

1. Select **[Settings]** from Multi-Function Station.
2. Click the desired tab and change the settings. → **[OK]**

[General]

- **[Launcher display setting]:** To select the display type of the launcher.
- **[OCR Path]:** To select the OCR software.
- **[PC name list up on device]** (KX-MB2000/KX-MB2010/KX-MB2030, LAN connection only): To select whether or not your computer name is displayed on the unit.
- **[PC name]** (KX-MB2000/KX-MB2010/KX-MB2030, LAN connection only): The computer name that will be displayed on the unit.

[Scan]

- **[Save to]:** To select the folder where the scanned image will be saved.
- **[Viewer][File][Email][OCR][Custom]:** To change scanning settings for Multi-Function scan application.

Note:

- Assign a unique name for the **[PC name]** to avoid errors, or the scanned image may be sent to the incorrect computer.

To select the default Email software

The default Email software is used when using “4.1.3 Scan to Email”, page 30.

You can select the default Email software as follows.

For Windows 2000:

1. **[Start]** → **[Settings]** → **[Control Panel]** → **[Internet Options]** → **[Programs]** → **[E-mail]**

2. Select the desired MAPI-compliant Email software such as **[Outlook Express]**, etc. → **[OK]**

For Windows XP:

1. **[Start]** → **[Control Panel]** → **[Internet Options]** → **[Programs]** → **[E-mail]**
2. Select the desired MAPI-compliant Email software such as **[Outlook Express]**, etc. → **[OK]**

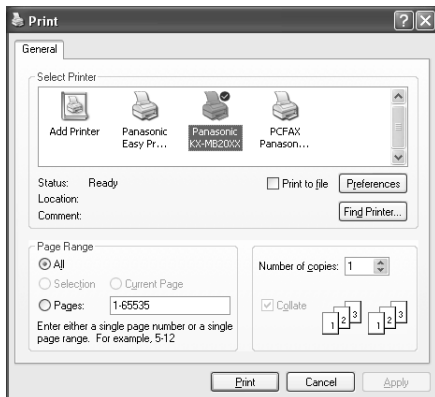
For Windows Vista:

1. **[Start]** → **[Control Panel]** → **[Internet Options]** → **[Programs]** → **[Set programs]** → **[Set program access and computer defaults]**
 - If the **[User Account Control]** dialogue box appears, click **[Continue]**.
2. **[Custom]**
3. Select the desired MAPI-compliant Email software such as **[Windows Mail]**, etc. from **[Choose a default e-mail program]**. → **[OK]**

3.1 Printing from Windows applications

You can print a file created in a Windows application. For example, to print from WordPad, proceed as follows:

- 1 Open the document you want to print.
- 2 Select **[Print...]** from the **[File]** menu.
 - The **[Print]** dialogue box will appear. For details about the **[Print]** dialogue box, click **[?]**, then click the desired item.



Note:

- For Microsoft PowerPoint®, select **[Color]** or remove the check next to **[Grayscale]** in the print dialogue so that coloured or grey objects will be printed in greyscale properly.
- 3 Select the unit's name as the active printer.
 - If you have changed the name of the unit when installing, select that name from the list.
 - To change the printer settings, proceed as follows.

For Windows 2000:
Click the desired tab and change the printer settings.

For Windows XP/Windows Vista:
Click **[Preferences]**, then click the desired tab. Change the printer settings, then click **[OK]**.
 - 4 Click **[Print]**.
 - The unit will start printing.

Note:

- To stop printing from the unit, see page 75.
- To load paper, see page 14,15.
- For details about the paper specifications, see page 100.
- If a printing error occurs, the Device Monitor (page 74) will start automatically and display the error information.

Setting the printer properties

You can change the printer setting in step 3. We recommend that you test paper (especially special sizes and types of paper) on the unit before purchasing large quantities.

You can change or display the settings on the following tabs.

- [Basic]:** Paper size, media type, pages per sheet, etc.
- [Output]:** Number of prints, collate, etc.
- [Quality]:** Quality, contrast, toner save feature, etc.
- [Effects]:** Watermark, overlay.
- [Profile]:** Saving the desired settings, selecting the saved settings, etc.
- [Support]:** Version information.

Note:

- Select the desired media type on the **[Basic]** tab according to the recording paper.

Recording paper type	Media type
Plain paper 75 g/m ² to 90 g/m ²	[Plain Paper]
Thin paper 64 g/m ² to 75 g/m ²	[Thin Paper]
Label	[Label]

- When printing from a computer, the printer properties setting overrides the following unit's programming features:
 - Media type setting (feature #383 and feature #384 on page 58)
 - Toner save setting (feature #482 on page 59)

To print on labels

You can print not only on plain paper but also on special media (labels).

- Please refer to page 100 for information on recording paper.
 - To load paper, see page 15.
- Use labels designed for laser printing. We recommend the following:

Avery®

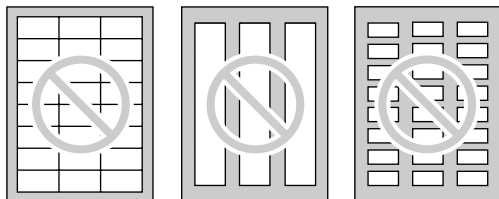
5160/5161/5162/5163/5164/5165/5167/5168

XEROX®

LWH100/LWH110/LWH120/LWH130/LWH140

- Use the manual input tray to print labels.
- Load label sheets one page at a time for printing, print-side down.
- Remove each label after printing.
- Do not use the following types of labels:
 - Labels that are wrinkled, damaged or separated from the backing sheet.
 - Any sheet of labels that has spaces in it where some of the labels have been removed.

- Labels that do not completely cover the backing sheet as follows:



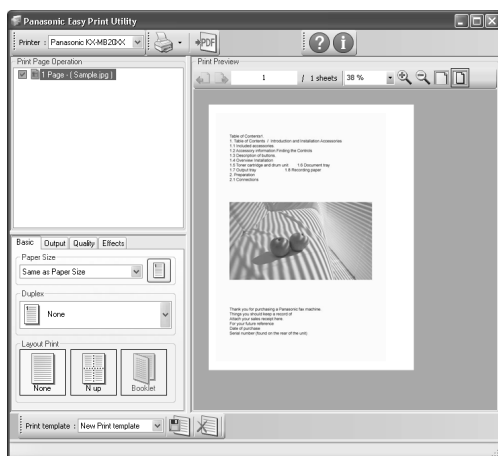
3.2 Easy Print Utility

By printing using the Panasonic Easy Print Utility instead of the printer driver, you can use useful printing features for your convenience.

- Preventing unnecessary prints by checking the preview on PC screen
- Combining multiple documents
- Saving a file in PDF format

For example, to print from WordPad, proceed as follows:

- 1 Open the document you want to print.
- 2 Select **[Print...]** from the **[File]** menu.
- 3 Select **[Panasonic Easy Print Driver]** as the active printer.
- 4 Click **[Print]**.
 - The **[Panasonic Easy Print Utility]** dialogue will be displayed. For details about the Easy Print Utility, click **[?]**, then click the desired item.
- 5 View the print image by clicking the desired page in the print page window (left column list).



- To change the printer settings, see page 29.
- To combine multiple documents created in various applications, see page 29.
- To save the file in PDF format, see page 29.
- Even if you set the number of prints on the original application beforehand, you may have to re-set it for the Easy Print Utility.

- 6 Click **[Print]** icon on the print toolbar.
 - The unit will start printing.

3.2.1 Ecology printing features

You can use various printing features and preview the print image without test print.

Printer settings

You can change or display the settings on the following tabs in step 5.

[Basic]: Paper size, layout printing

[Output]: Number of prints, paper source, media type

[Quality]: Colour mode, toner save

[Effects]: Header, watermark, footer

Combining multiple documents

You can display multiple pages created in various applications and handle it as a single document.

1. Perform step 1 to 4 on “3.2 Easy Print Utility”.
2. Open another document you want to add to Easy Print Utility.
3. Select **[Print...]** from the **[File]** menu.
 - The **[Print]** dialogue box will appear.
4. Select **[Panasonic Easy Print Driver]** as the active printer.
5. Click **[Print]**.
 - The document will be added after the last page of the previous document in the print preview window.
6. Repeat step 2 to 5.
7. If necessary, change the printer settings (page 29).
8. Click **[Print]** icon on the print toolbar.

Note:

- The maximum number of documents that can be displayed in the **[Print Page Operation]** window is 999 pages.

Saving a file as PDF file

You can save the previewed files in PDF format instead of printing it.

1. Perform step 1 to 4 on “3.2 Easy Print Utility”.
2. Click the **[Save PDF file]** icon on the Print toolbar.
 - The **[Save As]** dialogue box appears.
3. Specify the folder to save, enter the file name, and then click **[Save]**. The **[Save PDF file]** dialogue appears while PDF files are being created and saved.

Note:

- The PDF file created with Easy Print Utility is an image type.

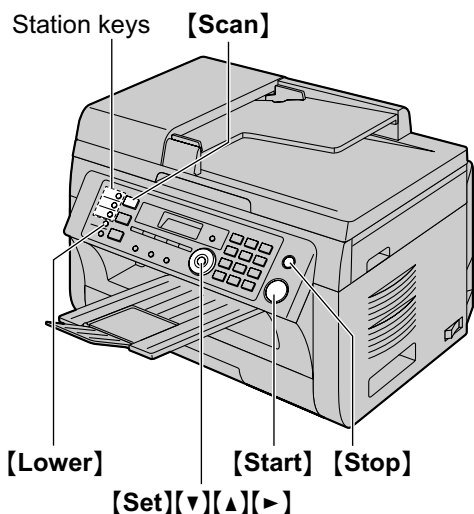
4.1 Scanning from the unit (Push Scan)

You can easily scan the document by using the operation panel on the unit. You can select one of the following scanning modes depending on how you intend to use the scanned image.

- Viewing using Multi-Function Viewer (Viewer)
- Saving as a file to your computer (File)
- Sending as an attached file to an email destination from your computer (Email)
- Using OCR software (OCR)
- Sending as an attached file to an email destination directly from this unit (Email address)
- Sending to an FTP server (FTP)
- Sending to an SMB folder (SMB)

Note:

- You can set the desired scan mode for push scan beforehand (feature #493 on page 67).
- When scanning a document, we recommend using the scanner glass rather than the automatic document feeder for better results (KX-MB2010/KX-MB2025/KX-MB2030 only).
- Do not open the document cover when scanning a document with the automatic document feeder (KX-MB2010/KX-MB2025/KX-MB2030 only).



4.1.1 Scan to Multi-Function Viewer

- 1 Set the original (page 19).
- 2 **[Scan]**
- 3 Press **[v]** or **[^]** repeatedly to select “VIEWER”. → **[Set]**
- 4 **For USB connection:**
Press **[v]** or **[^]** repeatedly to select “USB HOST”. → **[Set]**

For LAN connection (KX-MB2000/KX-MB2010/KX-MB2030 only):

Press **[v]** or **[^]** repeatedly to select the computer to which you want to send the scanned image. → **[Set]**

- 5 If necessary, change the scanning settings. Press **[>]**, press **[v]** or **[^]** repeatedly to select the desired setting. → **[Set]**
- 6 **[Start]**
 - The scanned image will be displayed in the **[Multi-Function Viewer]** window after scanning. However, when you select PDF as a file format, the software that is associated to open PDF files will start.

Note:

- To stop scanning, see page 75.
- You can save the images in TIFF, JPEG, BMP or PDF formats.
- The scanned image will be automatically saved in the folder selected in the **[Settings]** window (page 27).

4.1.2 Scan to save as a file

- 1 Set the original (page 19).
- 2 **[Scan]**
- 3 Press **[v]** or **[^]** repeatedly to select “FILE”. → **[Set]**
- 4 **For USB connection:**
Press **[v]** or **[^]** repeatedly to select “USB HOST”. → **[Set]**

For LAN connection (KX-MB2000/KX-MB2010/KX-MB2030 only):

Press **[v]** or **[^]** repeatedly to select the computer to which you want to send the scanned image. → **[Set]**

- 5 If necessary, change the scanning settings. Press **[>]**, press **[v]** or **[^]** repeatedly to select the desired setting. → **[Set]**
- 6 **[Start]**
 - The scanned image will be automatically saved in the folder selected in the **[Settings]** window. To change the folder, see page 27.

Note:

- To stop scanning, see page 75.
- You can save the images in TIFF, JPEG, BMP or PDF formats.

4.1.3 Scan to Email

You can send the scanned image as an email attachment using email software on your computer.

- 1 Set the original (page 19).
- 2 **[Scan]**

3 Press [▼] or [▲] repeatedly to select “EMAIL”. → [Set]

4 **For USB connection:**

Press [▼] or [▲] repeatedly to select “USB HOST”. → [Set]

For LAN connection (KX-MB2000/KX-MB2010/KX-MB2030 only):

Press [▼] or [▲] repeatedly to select the computer to which you want to send the scanned image. → [Set]

5 If necessary, change the scanning settings. Press [▶], press [▼] or [▲] repeatedly to select the desired setting. → [Set]

6 **[Start]**

- The email software will automatically start and the scanned image will be attached to a new email message.

Note:

- To select the default email software, see page 27.
- To stop scanning, see page 75.
- You can save the images in TIFF, JPEG or PDF formats.
- The scanned image will be automatically saved in the folder selected in the [Settings] window (page 27).

4.1.4 Scan to OCR

With OCR software, you can convert an image into text data that can be edited with word processing software. Readiris OCR software can be installed when installing Multi-Function Station.

1 Set the original (page 19).

2 **[Scan]**

3 Press [▼] or [▲] repeatedly to select “OCR”. → [Set]

4 **For USB connection:**

Press [▼] or [▲] repeatedly to select “USB HOST”. → [Set]

For LAN connection (KX-MB2000/KX-MB2010/KX-MB2030 only):

Press [▼] or [▲] repeatedly to select the computer to which you want to send the scanned image. → [Set]

5 If necessary, change the scanning settings. Press [▶], press [▼] or [▲] repeatedly to select the desired setting. → [Set]

6 **[Start]**

- The scanned image will be displayed in the OCR window after scanning.

Note:

- To stop scanning, see page 75.
- You can save the images in TIFF, JPEG or BMP formats.

- For detailed instructions about OCR, select [Help].
- The scanned image will be automatically saved in the folder selected in the [Settings] window (page 27).

4.1.5 Scan to email address (KX-MB2000/KX-MB2010/KX-MB2030, LAN connection only)

You can send the scanned image as an attachment without using email software.

Important:

- **Program the email server, SMTP server settings (page 67) and the email destinations (page 68) beforehand.**

1 Set the original (page 19).

2 **[Scan]**

3 Press [▼] or [▲] repeatedly to select “EMAIL ADDRESS”. → [Set]

4 Enter the destination email address.

Using station 1–3 (KX-MB2030 only):

Press the desired station key.

Using station 4–6 (KX-MB2030 only):

Press [Lower], then press the desired station key.

Using navigator key:

Press [▼] or [▲] repeatedly to select the desired destination.

Using dial keypad:

Press [Set], then enter the email address using the dial keypad (page 73).

5 **[Set]**

6 If necessary, change the scanning settings. Press [▶], press [▼] or [▲] repeatedly to select the desired setting. → [Set]

7 **[Start]**

- The scanned image will be sent as an email attachment directly from this unit.

Note:

- To stop scanning, see page 75.
- You can save the images in TIFF, JPEG or PDF formats.
- You can search for an email address by initial.

Example: “LISA”

1. Perform steps 1 to 3 on “4.1.5 Scan to email address (KX-MB2000/KX-MB2010/KX-MB2030, LAN connection only)”, page 31.
 2. Press [5] repeatedly to display any name with the initial “L” (see page 73 for character entry).
 - To search for symbols, press [✳].
 3. Press [▼] or [▲] repeatedly to display “LISA”.
 - To stop the search, press [Stop].
- You can easily send scanned image to the desired destinations using station keys (KX-MB2030 only). To use this feature, register email addresses to station keys beforehand (page 68).

4. Scanner

1. Set the original (page 19).
2. **[Scan]**
3. **Using station 1–3:**
Press the desired station key.
Using station 4–6:
Press **[Lower]**, then press the desired station key.
4. **[Set]** → **[Start]**

4.1.6 Scan to FTP server (KX-MB2000/ KX-MB2010/KX-MB2030, LAN connection only)

You can send the scanned image to a folder on an FTP server.

Important:

- **Program the FTP server settings beforehand (page 68).**
- 1 Set the original (page 19).
 - 2 **[Scan]**
 - 3 Press **[▼]** or **[▲]** repeatedly to select “**FTP SERVER**”. → **[Set]**
 - 4 Press **[▼]** or **[▲]** repeatedly to select the destination to which you want to send the scanned image. → **[Set]**
 - 5 If necessary, change the scanning settings. Press **[▶]**, press **[▼]** or **[▲]** repeatedly to select the desired setting. → **[Set]**
 - 6 **[Start]**
 - The scanned image will be automatically saved in the selected folder on the FTP server.

Note:

- To stop scanning, see page 75.
- You can save the images in TIFF, JPEG or PDF formats.
- To display the scanned image, download the data to your computer beforehand.

4.1.7 Scan to SMB folder (KX-MB2000/ KX-MB2010/KX-MB2030, LAN connection only)

You can send the scanned image to a folder on the network.

Important:

- **Program the SMB folder settings beforehand (page 68).**
- 1 Set the original (page 19).
 - 2 **[Scan]**
 - 3 Press **[▼]** or **[▲]** repeatedly to select “**SMB FOLDER**”. → **[Set]**

- 4 Press **[▼]** or **[▲]** repeatedly to select the folder to which you want to send the scanned image. → **[Set]**
- 5 If necessary, change the scanning settings. Press **[▶]**, press **[▼]** or **[▲]** repeatedly to select the desired setting. → **[Set]**
- 6 **[Start]**
 - The scanned image will be automatically saved in the selected folder on the network.

Note:

- To stop scanning, see page 75.
- You can save the images in TIFF, JPEG or PDF formats.
- If this function does not perform properly, consult your network administrator. This unit's SMB function does not support NTLMv2 and SMB signatures.

4.2 Scanning from a computer (Pull Scan)

Note:

- When scanning a document, we recommend using the scanner glass rather than the automatic document feeder for better results (KX-MB2010/KX-MB2025/KX-MB2030 only).
- Do not open the document cover when scanning a document with the automatic document feeder (KX-MB2010/KX-MB2025/KX-MB2030 only).

4.2.1 Using Multi-Function scan application

By clicking an application icon, the selected application starts automatically after scanning.

- 1 Set the original (page 19).
- 2 Start Multi-Function Station. → **[Scan]**
- 3 Click the desired application icon.
 - When you click **[Custom]**, the pre-programmed application starts.
 - To cancel scanning while the documents are being scanned, click **[Cancel]**.

Note:

- You can change the scanning settings beforehand for each application (page 27).
- When you point to an application icon, the scanning settings for that application are displayed as a tooltip.
- The scanned image will be automatically saved in the folder selected in the **[Settings]** window (page 27).

4.2.2 Using Multi-Function Viewer

- 1 Set the original (page 19).
- 2 Start Multi-Function Station.
- 3 **[Utilities]** → **[Viewer]**
 - **[Multi-Function Viewer]** will appear.
- 4 Click the **[Scan]** icon in the **[Multi-Function Viewer]** window.
 - The unit's name dialogue box will appear.
- 5 If necessary, change the scanning settings on your computer.
 - To preview the scanned image, click **[Preview]**. You can drag the frame to specify the scanning area. If you change the scan settings, click **[Preview]** to refresh the scanned image. If you use the automatic document feeder (KX-MB2010/KX-MB2025/KX-MB2030 only), only the first page will be previewed. When you need to refresh the scanned image, set the document to preview again.
- 6 **[Scan]**
 - If you preview the scanned image using the automatic document feeder in step 5, set the

document again and click **[Scan]** (KX-MB2010/KX-MB2025/KX-MB2030 only).

- The scanned image will be displayed in the **[Multi-Function Viewer]** window after scanning.
- To save the scanned image, select **[Save As ...]** from the **[File]** menu.
- To cancel scanning while the documents are being scanned, click **[Cancel]**.

Note:

- You can display images in applications that support TIFF, JPEG, PCX, DCX and BMP formats.
- You can save images in TIFF, JPEG, PCX, DCX, BMP or PDF formats.
- If the **[Select...]** button is displayed in **[Target Device]**, click **[Select...]** to select the unit from the list, and then click **[OK]**. The **[Select...]** button will not be displayed when there is only one printer driver installed.
- You can move, copy and delete a file or page.

4.2.3 Using other applications

Multi-Function Station includes a TWAIN and WIA compliant scanner driver. You can also scan using other applications that support TWAIN or WIA scanning. For scanning example, proceed as follows:

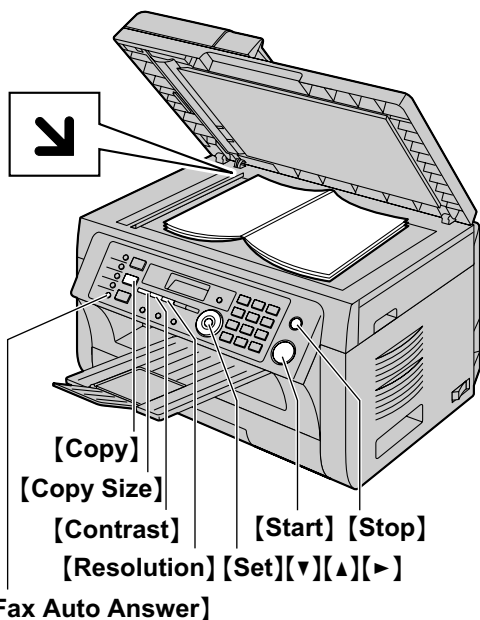
- 1 Set the original (page 19).
- 2 Start an application that supports TWAIN or WIA scanning.
- 3 **For TWAIN scanning:**
Select **[Acquire Image...]** from the **[File]** menu.
For WIA scanning:
Select **[From Scanner or Camera...]** from the **[File]** menu.
 - The unit's name dialogue box will appear.
- 4 If necessary, change the scanning settings on your computer. → **[Scan]**
 - The scanned image will be displayed in the application window after scanning.
 - To cancel scanning while the documents are being scanned, click **[Cancel]**.

Note:

- Scanning from WIA compliant applications is only available for Windows XP and Windows Vista, and only via a USB connection.
- Depending on the application used, the appearance may differ slightly.
- If the **[Select...]** button is displayed in **[Target Device]** when performing TWAIN scanning, click **[Select...]** to select the unit from the list, and then click **[OK]**. The **[Select...]** button will not be displayed when there is only one printer driver installed.

5.1 Making a copy

5.1.1 Using the scanner glass



- 1 If the **[Copy]** light is OFF, turn it ON by pressing **[Copy]**.
- 2 Set the original (page 19).
- 3 If necessary, change the copy size (original document size and recording paper size), resolution and contrast according to the type of document.
 - To select the copy size, see page 34.
 - To select the resolution, see page 34.
 - To select the contrast, see page 34.
- 4 If necessary, enter the number of copies (up to 99).
- 5 **[Start]**
 - The unit will start copying.
- 6 After you finish copying, press **[Stop]** to reset the settings you set in step 3 and 4.

Note:

- To stop copying, see page 75.
- You can change the default operation mode (feature #463 on page 59) and the timer before returning to the default operation mode (feature #464 on page 59) (KX-MB2025/KX-MB2030 only).
- If the **[Fax Auto Answer]** light is ON, the unit can receive faxes automatically even when in the copy mode (KX-MB2025/KX-MB2030 only).

To select the copy size

1. Press **[Copy Size]** repeatedly to select “ORIGINAL SIZE”.

2. Press **[▼]** or **[▲]** repeatedly to select the size of your original document. → **[Set]**
3. Press **[▼]** or **[▲]** repeatedly to select the size of recording paper size.
 - When “#2” is selected, you can change the recording paper size by pressing **[▶]** repeatedly.
 - The appropriate zoom rate will be set automatically. Some copying features cannot be used during zoom copy. See page 35 for details.
4. **[Set]**

To select the resolution

1. Press **[Resolution]** repeatedly.
 - “TEXT/PHOTO”: For both text and photographs.
 - “TEXT”: For text only.
 - “PHOTO”: For photographs, shaded drawings, etc.
2. **[Set]**

Note:

- You can change the default resolution (feature #461 on page 65).

To select the contrast

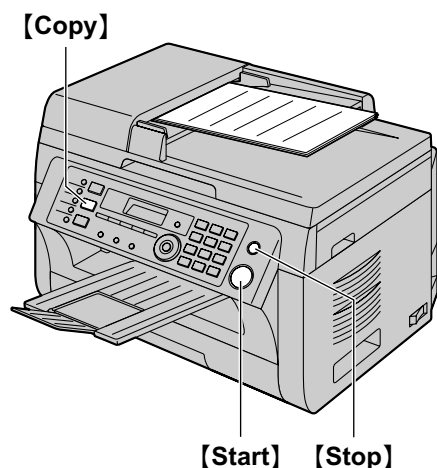
Adjust this setting depending on the darkness or lightness of the document. 5 levels (low to high) are available.

Press **[Contrast]** repeatedly. → **[Set]**

Note:

- You can hold the previous contrast setting (feature #462 on page 59).

5.1.2 Using the automatic document feeder (KX-MB2010/KX-MB2025/KX-MB2030 only)



- 1 If the **[Copy]** light is OFF, turn it ON by pressing **[Copy]**.
- 2 Set the original (page 19).
- 3 If necessary, change the copy size (original document size and recording paper size), resolution and contrast according to the type of document.
 - To select the copy size, see page 34.
 - To select the resolution, see page 34.
 - To select the contrast, see page 34.
- 4 If necessary, enter the number of copies (up to 99).
- 5 **[Start]**
 - The unit will start copying.
- 6 After you finish copying, press **[Stop]** to reset the settings you set in step 3 and 4.

Note:

- To stop copying, see page 75.

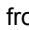
5.2 More copying features

- Make sure that the **[Copy]** light is ON.

5.2.1 Zoom copy (enlargement / reduction)

- 1 Set the original (page 19).
- 2 Press **[Zoom]** repeatedly to select the zoom rate that fits the size of your document and recording paper.
 - “**ZOOM** =100%”^{*1}
 - “50%”
 - “200%”
- ^{*1} Press **[▼]** or **[▲]** repeatedly to change the zoom rate by 1 % at a time from “25%” to “400%”. You can also enter the desired percentage specifically by using the dial keys.
- 3 **[Set]**
- 4 If necessary, enter the number of copies (up to 99).
→ **[Start]**
- 5 After you finish copying, press **[Stop]** to reset this feature.

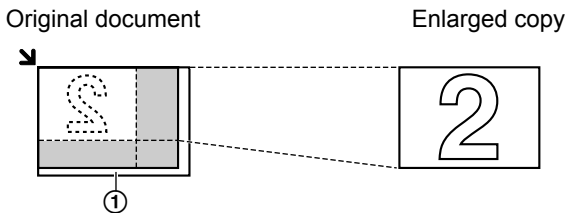
Note:

- Zoom copy is not available for the following features:
 - Quick ID copy feature (page 36)
 - Image repeat feature (page 36)
 - Poster feature (page 38)
 - N in 1 feature (page 38)
 - Separate N in 1 feature (page 39)
- You can hold the previous zoom setting (feature #468 on page 65).
- **When using the scanner glass**, the unit will only enlarge the right top corner of the document starting from the  mark on the unit.
- **When using the automatic document feeder**, the unit will only enlarge the centre of the upper part of the document. To make an enlarged copy of the bottom of the document, turn the document around, and then make a copy (KX-MB2010/KX-MB2025/KX-MB2030 only).

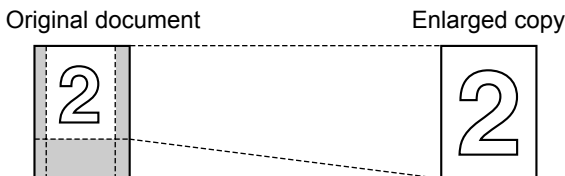
5. Copier

Example: 150 % enlarged copy

Using the scanner glass (①):

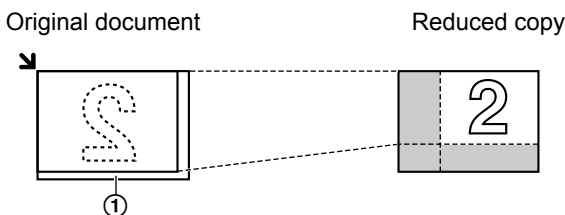


Using the automatic document feeder (KX-MB2010/KX-MB2025/KX-MB2030 only):

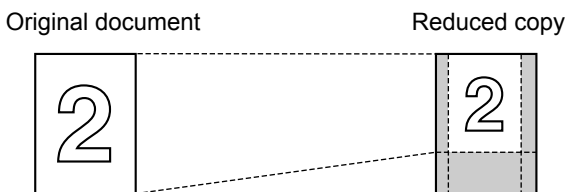


Example: 70 % reduced copy

Using the scanner glass (①):



Using the automatic document feeder (KX-MB2010/KX-MB2025/KX-MB2030 only):



5.2.2 Collate copy

The unit can collate multiple copies in the same order as the original document pages.

- 1 If the **[Copy]** light is OFF, turn it ON by pressing **[Copy]**.
- 2 Set the original (page 19).
- 3 Press **[<]** to display “COLLATE”.
- 4 Press **[v]** or **[^]** repeatedly to display “ON”.
- 5 **[Set]**
- 6 Enter the number of copies (up to 99).
- 7 **When using the scanner glass:**
 1. **[Start]**
 - The unit will scan 1 page.

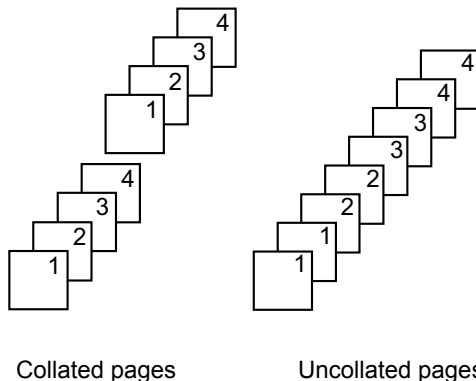
2. Place the next document on the scanner glass and press **[Set]**. Repeat this until you have scanned all pages, and then press **[Start]**.
 - The unit will start copying.

When using the automatic document feeder (KX-MB2010/KX-MB2025/KX-MB2030 only):

[Start]

- 8 After you finish copying, press **[Stop]** to reset this feature.

Example: Making 2 copies of a 4-page original document



Note:

- The unit will store the documents into memory while collating the copies. If the memory becomes full while storing, the unit will only print out the stored pages.
- You can hold the previous collate setting (feature #469 on page 65).

Proof set feature (KX-MB2010/KX-MB2025/KX-MB2030 only)

To make 1 set of a collated copy first, press **[v]** or **[^]** repeatedly to display “PROOF SET” (step 4 on “5.2.2 Collate copy”, page 36). The unit will make 1 set of a collated copy and stop temporarily so you can check whether the copy was made as you expected. If the copy is correct, press **[Start]** to continue copying. If the copy is not correct, press **[Stop]** and start again from the beginning.

5.2.3 Quick ID copy feature / Image repeat feature (Scanner glass only)

Quick ID copy feature: To copy 2-sided documents onto one page.

Image repeat feature: To copy a single document repeatedly onto one page.

Note:

- The copied documents will not be reduced to fit the recording paper, and useful for copying small sized documents such as business cards.

- 1 Set the original (page 19).
 - To make a landscape copy, set the original in landscape direction. To make a portrait copy, set the original in portrait direction.
 - The scanning area changes according to the selected setting in step 4. See the following table for details. The shaded area will be scanned.
- 2 Press **[Page Layout]** repeatedly to select “PAGE LAYOUT”.
- 3 Press **[▼]** or **[▲]** repeatedly to select “QUICK ID COPY” or “IMAGE REPEAT”. → **[Set]**
- 4 Press **[▼]** or **[▲]** repeatedly to select the number of original documents from “2 in 1”, “4 in 1” or “8 in 1”. → **[Set]**
 - For quick ID copy feature, go to the next step.
 - For image repeat feature, go to step 6.
- 5 Press **[▼]** or **[▲]** repeatedly to select the page layout from “LANDSCAPE” or “PORTRAIT”. → **[Set]**
- 6 If necessary, enter the number of copies (up to 99).
- 7 **Quick ID copy feature:**
 1. **[Start]**
 - The unit will scan 1 page.
 2. Place the next document on the scanner glass and press **[Set]**. Repeat this until all the documents are scanned.
 - The unit will start copying.
 - You can press **[Start]** anytime to start copying.

Image repeat feature:**[Start]**

- 8 After you finish copying, press **[Stop]** to reset this feature.

Note:

- You can save the previous page layout setting (feature #467 on page 65).

For quick ID copy feature

Original document	Page layout
“2 in 1” 	“LANDSCAPE” “PORTRAIT”

Original document	Page layout
“4 in 1” 	“LANDSCAPE” “PORTRAIT”
“8 in 1” 	“LANDSCAPE” “PORTRAIT”

For image repeat feature

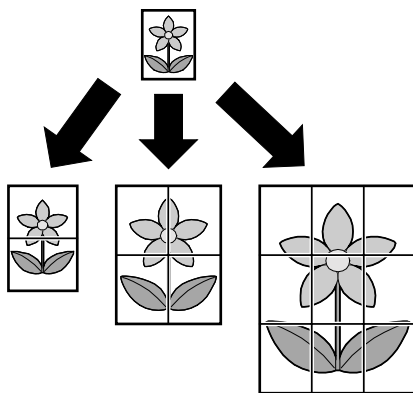
Original document	Page layout
“2 in 1” 	
“4 in 1” 	

5. Copier

Original document	Page layout
<p>"8 in 1"</p>	

5.2.4 Poster feature (Scanner glass only)

You can make copies divided into 2 ("1 x 2"), 4 ("2 x 2") or 9 ("3 x 3") sections to make enlarged copies of the individual sections. You can then glue them together to make a poster.



- 1 Set the original (page 19).
- 2 Press **[Page Layout]** repeatedly to select "PAGE LAYOUT".
- 3 Press **[▼]** or **[▲]** repeatedly to select "POSTER". → **[Set]**
- 4 Press **[▼]** or **[▲]** repeatedly to select "1 x 2", "2 x 2" or "3 x 3". → **[Set]**
- 5 If necessary, enter the number of copies (up to 99). → **[Start]**
- 6 After you finish copying, press **[Stop]** to reset this feature.

Note:

- You can save the previous page layout setting (feature #467 on page 65).

5.2.5 N in 1 feature

You can save paper by copying 2, 4 or 8 pages onto 1 page. The documents will be reduced to fit the recording paper.

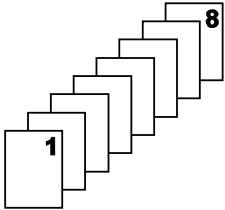


- 1 Set the original (page 19).
 - To make a portrait copy, set the original in portrait direction. To make a landscape copy, set the original in landscape direction.
- 2 Press **[Page Layout]** repeatedly to select "PAGE LAYOUT".
- 3 Press **[▼]** or **[▲]** repeatedly to select "N in 1". → **[Set]**
- 4 Press **[▼]** or **[▲]** repeatedly to select the number of original documents from "2 in 1", "4 in 1" or "8 in 1". → **[Set]**
- 5 Press **[▼]** or **[▲]** repeatedly to select the layout from "PORTRAIT" or "LANDSCAPE". → **[Set]**
- 6 If necessary, enter the number of copies (up to 99).
- 7 **When using the scanner glass:**
 1. **[Start]**
 - The unit will scan 1 page.
 2. Place the next document on the scanner glass and press **[Set]**. Repeat this until all the documents are scanned.
 - The unit will start copying.
 - You can press **[Start]** anytime to start copying.

When using the automatic document feeder (KX-MB2010/KX-MB2025/KX-MB2030 only):

[Start]

- 8 After you finish copying, press **[Stop]** to reset this feature.

Original document	Page layout
<p>"2 in 1"</p>	<p>"PORTRAIT"</p> <p>"LANDSCAPE"</p>
<p>"4 in 1"</p>	<p>"PORTRAIT"</p> <p>"LANDSCAPE"</p>

Original document	Page layout
"8 in 1" 	"PORTRAIT"  "LANDSCAPE" 

Note:

- You can save the previous page layout setting (feature #467 on page 65).

Separate N in 1 feature (Scanner glass only)

You can separate an N in 1 copied document back into its original, separate pages. This feature is available for documents created using the "2 in 1" and "4 in 1" settings.

- Set the original (page 19).
- Press **[Page Layout]** repeatedly to select "PAGE LAYOUT".
- Press **[▼]** or **[▲]** repeatedly to select "SEPARATE N in 1". → **[Set]**
- Press **[▼]** or **[▲]** repeatedly to select the number of original documents from "2 in 1" or "4 in 1". → **[Set]**
- Press **[▼]** or **[▲]** repeatedly to select the page layout of the original document from "PORTRAIT" or "LANDSCAPE". → **[Set]**
- If necessary, enter the number of documents (up to 99). → **[Start]**
- After you finish copying, press **[Stop]** to reset this feature.

5.2.6 Edge feature

You can set the unit not to copy the outer edges of the document without reducing the copied documents to fit the recording paper. This is useful for copying documents with dirty edges.

Note:

- This feature and page layout features cannot be used at the same time (except for N in 1).
- Set the original (page 19).
 - Press **[Page Layout]** repeatedly to select "EDGE".
 - Press **[▼]** or **[▲]** repeatedly to select "ON". → **[Set]**
 - Press **[▼]** or **[▲]** repeatedly to select "LONG EDGE". → **[Set]**

- Enter the desired edge width of long edge using the dial keypad. → **[Set]**
- Press **[▼]** or **[▲]** repeatedly to select "SHORT EDGE". → **[Set]**
- Enter the desired edge width of short edge using the dial keypad. → **[Set]**
- [Start]**
- After you finish copying, press **[Stop]** to reset this feature.

Note:

- You can hold the previous edge setting (feature #473 on page 65).

5.2.7 Margin feature

You can set the unit not to copy a particular edge of the document to make a margin. This is useful for binding the copied documents.

Note:

- To automatically reduce the copies according to the set margin, see feature #474 on page 65.
- This feature and page layout features cannot be used at the same time.

- Set the original (page 19).
 - To make a portrait copy, set the original in portrait direction. To make a landscape copy, set the original in landscape direction.
- Press **[Page Layout]** repeatedly to select "MARGIN".
- Press **[▼]** or **[▲]** repeatedly to select "ON". → **[Set]**
- Press **[▼]** or **[▲]** repeatedly to select the page layout from "PORTRAIT" or "LANDSCAPE". → **[Set]**
- Press **[▼]** or **[▲]** repeatedly to select the edge you want to set the margin for from "TOP", "RIGHT", "LEFT" or "BOTTOM". → **[Set]**
- Enter the desired margin width using the dial keypad. → **[Set]**
- [Start]**
- After you finish copying, press **[Stop]** to reset this feature.

Note:

- You can hold the previous margin setting (feature #475 on page 65).

5.2.8 Copy reservation

You can make a copy reservation under the following conditions:

- while the unit is printing documents from your computer.
- while the unit is printing received fax documents (KX-MB2025/KX-MB2030 only).

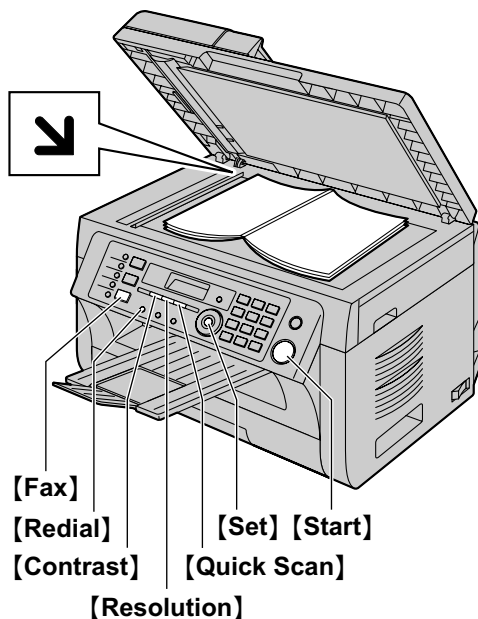
5. Copier

- 1 Set the original (page 19).
- 2 While “**PC PRINTING**” or “**PRINTING**” (KX-MB2025/KX-MB2030 only) is displayed, press **[Copy]**.
- 3 Make necessary settings such as number of copies, resolution, zoom features and page layout features.
→ **[Start]**
 - “**COPY RESERVED**” will be displayed. The unit will start copying after the current printing job.

6.1 Sending a fax manually

6.1.1 Using the scanner glass

By using the scanner glass, you can send a page from booklets or small size paper.



- 1 If the **[Fax]** light is OFF, turn it ON by pressing **[Fax]**.
- 2 Set the original (page 19).
- 3 If necessary, change the resolution and contrast according to the type of document.
 - To select the resolution, see page 41.
 - To select the contrast, see page 41.
- 4 Dial the fax number.
 - To send a single page, go to step 7.
 - To send multiple pages, go to the next step.
- 5 Press **[Quick Scan]** to scan the document into memory.
 - Wait until "SCAN: PRESS SET" "SEND: PRESS START" is displayed.
- 6 Place the next page on the scanner glass. → **[Set]**
 - To send more pages, repeat this step.
- 7 **[Start]**

Note:

- To stop sending, see page 75.
- You can change the default operation mode (feature #463 on page 59) and the timer before returning to the default operation mode (feature #464 on page 59).

To select the resolution

1. Press **[Resolution]** repeatedly.
 - "STANDARD": For normal-sized characters.
 - "FINE": For small-sized characters.
 - "SUPER FINE": For very small-sized characters.
 - "PHOTO": For photographs, shaded drawings, etc.
2. **[Set]**
 - Using the "FINE", "SUPER FINE" and "PHOTO" settings will increase transmission time.

To select the contrast

Adjust this setting depending on the darkness or lightness of the document. 5 levels (low to high) are available.

Press **[Contrast]** repeatedly. → **[Set]**

Note:

- You can save the previous contrast setting (feature #462 on page 59).

To redial the last number

[Redial]

- If the line is busy, the unit will automatically redial the number up to 5 times.

Note:

- To stop sending, see page 75.

Reserving the fax transmission (Dual Access)

You can reserve a fax transmission even when the unit is just receiving a fax or sending a fax from memory.

- Up to 3 reservations when sending
 - Up to 4 reservations when receiving
1. Set the original during fax reception or fax memory transmission.
 2. Enter the fax number using the dial keypad, one-touch dial or phonebook.
 3. **When using the scanner glass**, press **[Quick Scan]**. The unit will scan 1 page. Place the next document on the scanner glass and press **[Set]**. Repeat this until all the documents are scanned, then press **[Start]**.

When using the automatic document feeder, press **[Start]**.

 - If the document exceeds the memory capacity, the reservation for that document will be cancelled. You must send the entire document manually.

Printing a sending report

A sending report provides you with a printed record of transmission results. To print the sending reports, make sure that feature #401 is activated (page 60). For an explanation of the messages, see page 76.

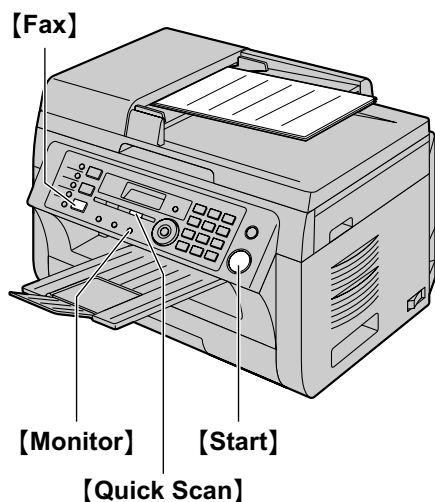
Printing a journal report

A journal report provides you with a printed record of the 30 most recent faxes. To print it manually, see page 99. To print it automatically after every 30 new

6. Fax (KX-MB2025/KX-MB2030 only)

fax transmissions and receptions, make sure feature #402 is activated (page 60). For an explanation of the messages, see page 76.

6.1.2 Using the automatic document feeder



- 1 If the **[Fax]** light is OFF, turn it ON by pressing **[Fax]**.
- 2 Set the original (page 19).
- 3 If necessary, change the resolution and contrast according to the type of document.
 - To select the resolution, see page 41.
 - To select the contrast, see page 41.
- 4 **[Monitor]**
- 5 Dial the fax number. → **[Start]**

Note:

- To stop sending, see page 75.
- Do not open the document cover when sending a fax with the automatic document feeder.

Pre-dialling a fax number

1. Enter the fax number.
2. Set the original (page 19). → **[Start]**

Sending from memory (Quick scan feature)

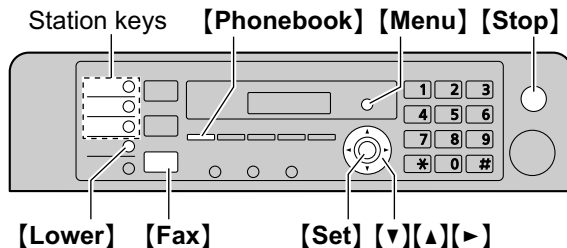
1. Set the original (page 19).
2. Enter the fax number. → **[Quick Scan]**

6.2 Storing items for the one-touch dial feature and phonebook

The unit provides the one-touch dial feature (6 items) and phonebook (100 items).

- Station 1 and 2 can be used alternatively as broadcast keys (page 44).

- Make sure that the **[Fax]** light is ON.



6.2.1 Storing one-touch dial item

- 1 Press **[Menu]** repeatedly to display "PHONEBOOK SET".
- 2 Select the desired station key.
For station 1–2:
 1. Press one of the station keys.
 2. Press **[v]** or **[^]** repeatedly to select "DIAL MODE". → **[Set]**
For station 3:

Press the station key.

For station 4–6:

Press **[Lower]**, then press one of the station keys.
- 3 Enter the name, up to 16 characters (see page 73 for character entry). → **[Set]**
- 4 Enter the telephone number, up to 32 digits. → **[Set]**
 - To program other items, repeat steps 2 to 4.
- 5 **[Stop]**

Note:

- A hyphen or a space entered in a telephone number counts as 2 digits.

6.2.2 Storing phonebook items

- 1 Press **[Menu]** repeatedly to display "PHONEBOOK SET". → **[>]**
- 2 Enter the name, up to 16 characters (see page 73 for character entry). → **[Set]**
- 3 Enter the telephone number, up to 32 digits. → **[Set]**
 - To program other items, repeat steps 2 to 3.
- 4 **[Menu]**

Note:

- A hyphen or a space entered in a telephone number counts as 2 digits.

6.2.3 Editing a stored item

- 1 **[Phonebook]**

- 2 Press [▼] or [▲] repeatedly to display the desired item. → [Menu] → [✳]
- 3 Edit the name if necessary. → [Set]
- 4 Edit the telephone number if necessary. → [Set] → [Stop]

6.2.4 Erasing a stored item

- 1 [Phonebook]
- 2 Press [▼] or [▲] repeatedly to display the desired item. → [Menu] → [✳]
 - To cancel erasing, press [Stop].
- 3 [Set] → [Stop]

6.3 Sending a fax using one-touch dial feature and phonebook

Before using this feature, store the desired names and telephone numbers into the one-touch dial feature and phonebook (page 42).

- Make sure that the [Fax] light is ON.

6.3.1 Using the scanner glass

- 1 Set the original (page 19).
- 2 If necessary, change the resolution (page 41) and the contrast (page 41).
- 3 Enter the fax number.

Using station 1–3:
Press the desired station key.

Using station 4–6:
Press [Lower], then press the desired station key.

Using phonebook:
Press [Phonebook], then press [▼] or [▲] repeatedly to display the desired item.

 - To send a single page, go to step 6.
 - To send multiple pages, go to the next step.
- 4 Press [Quick Scan] to scan the document into memory.
- 5 Place the next page. → [Set]
 - To send more pages, repeat this step.
- 6 [Start]

To search for a name by initial

Example: "LISA"

1. [Phonebook]
2. Press [▼] or [▲] to initiate the phonebook.
3. Press [5] repeatedly to display any name with the initial "L" (see page 73 for character entry).
 - To search for symbols, press [✳].
4. Press [▼] or [▲] repeatedly to display "LISA".
 - To stop the search, press [Stop].

Fax auto redial

If the line is busy or if there is no answer, the unit will automatically redial the number up to 5 times.

Note:

- To stop sending, see page 75.

6.3.2 Using the automatic document feeder

- 1 Set the original (page 19).
- 2 If necessary, change the resolution (page 41) and the contrast (page 41).
- 3 Enter the fax number using one-touch dial or phonebook.

4 [Start]

6.4 Broadcast transmission

You can send the same document to multiple parties (up to 20). To use this feature, store the fax numbers into broadcast memory as follows.

Broadcast: Store items using one-touch dial or phonebook (page 42).

Manual broadcast: Store items using one-touch dial or phonebook (page 42). You can also use the dial keypad to store items manually.

Your programmed items will remain in the broadcast memory, allowing frequent re-use.

- The broadcast function utilises station 1–2. The one-touch dial function will be cancelled.
- Make sure that the **[Fax]** light is ON.

6.4.1 Programming items into the broadcast memory

1 Press **[Menu]** repeatedly to display “PHONEBOOK SET”.

2 Select the desired broadcast key.

For BROADCAST:

1. **[Broadcast]**

2. Press **[▼]** or **[▲]** repeatedly to select “BROADCAST”.

For MANUAL BROADCAST:

1. **[Manual Broad]**

2. Press **[▼]** or **[▲]** repeatedly to select “M. BROADCAST”.

3 **[Set]**

4 Program items.

Using station 1–3:

Press the desired station key.

Using station 4–6:

Press **[Lower]**, then press the desired station key.

Using phonebook:

Press **[▼]** or **[▲]** repeatedly to display the desired item. → **[Set]**

Using the dial keypad (only for manual broad):

Enter the fax number. → **[Set]**

- The number in brackets indicates the number of registered items.
- To program other items, repeat this step (up to 20 items).
- If you have programmed the wrong item, press **[Stop]** to erase the item.

5 **[Set]**

- To program another broadcast key, repeat steps 2 to 5.

6 **[Stop]**

6.4.2 Adding a new item into the broadcast memory

- 1 **[Phonebook]**
- 2 Press **[▼]** or **[▲]** repeatedly to display the desired broadcast memory location (“<BROADCAST>” or “<MANUAL BROADCAST>”). → **[Menu]** → **[✳]**
- 3 Press **[▼]** or **[▲]** repeatedly to display the item you want to add. → **[Set]**
 - To add other items, repeat this step (up to 20 items).
- 4 **[Stop]**

Note:

- When adding new items to the MANUAL BROADCAST memory, you can only select stored items.

6.4.3 Erasing a stored item from the broadcast memory

- 1 **[Phonebook]**
- 2 Press **[▼]** or **[▲]** repeatedly to display the desired broadcast memory location (“<BROADCAST>” or “<MANUAL BROADCAST>”). → **[Menu]** → **[✳]**
- 3 Press **[▼]** or **[▲]** repeatedly to display the item you want to erase.
 - To cancel erasing, press **[Stop]**.
- 4 **[Set]** → **[Set]** → **[Stop]**

6.4.4 Sending the same document to pre-programmed parties

To send the same document using the scanner glass

1. Set the original (page 19).
2. If necessary, change the resolution (page 41) and the contrast (page 41).
3. Press **[Broadcast]** or **[Manual Broad]**.
 - To send a single page, go to step 5.
 - To send multiple pages, go to the next step.
4. Place the next page. → **[Set]**
 - To send more pages, repeat this step.
5. **[Start]**

Note:

- To stop sending, see page 75.
- If you select “FINE”, “SUPER FINE” or “PHOTO” resolution, the number of pages that the unit can send will decrease.
- If the document exceeds the memory capacity, sending will be cancelled.
- If a party is busy or does not answer, it will be skipped and redialled later up to 5 times.
- After transmission, the unit will automatically print a report (**broadcast sending report**).

To send the same document using the automatic document feeder

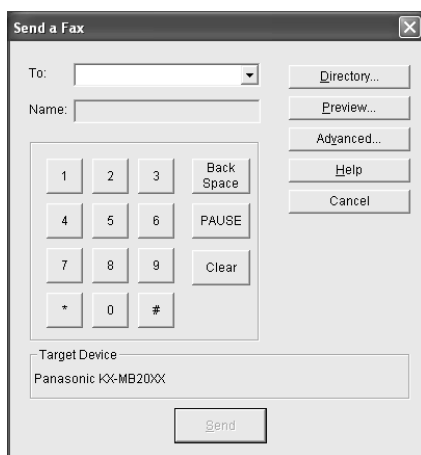
1. Set the original (page 19).
2. If necessary, change the resolution (page 41) and the contrast (page 41).
3. Press **[Broadcast]** or **[Manual Broad]**.

6.5 Sending an electronic document as a fax message from your computer

You can access the fax function from a Windows application using Multi-Function Station.

For example, to send a document created from WordPad, proceed as follows.

- 1 Open the document you want to send.
- 2 Select **[Print...]** from the **[File]** menu.
 - The **[Print]** dialogue box will appear.
- 3 Select the PCFAX unit's name as the active printer.
- 4 Click **[Print]**.
 - The **[Send a Fax]** dialogue box will appear.



- 5 Enter the fax number using the keypad display or the directory.
 - To stop the operation, click **[Cancel]**.
- 6 **[Send]**
 - The document will be sent through the unit from your computer.

Note:

- To stop sending, see page 75.
- If the document exceeds the memory capacity of the unit, sending will be cancelled.
- For details, see the help file by selecting **[?]** from Multi-Function Station.
- Click **[Select...]** to change the active unit.

6.6 Selecting the way to use your unit

Depending on your situation, select the way you prefer to use your unit.

- Use only as a fax (FAX ONLY mode)
- Use mostly as a telephone (TEL mode)
- Use as a telephone and/or fax (TEL/FAX mode)
- Use with answering machine

6.6.1 Use only as a fax (FAX ONLY mode)

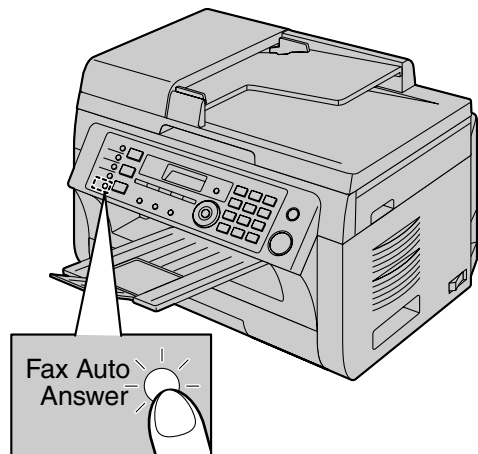
Your situation

You have a separate telephone line just for faxes, or you want to use the unit only for receiving faxes.

Setup

Set the unit to FAX ONLY mode (page 47) by pressing **[Fax Auto Answer]** repeatedly.

- The **[Fax Auto Answer]** light turns ON.



How faxes are received

All incoming calls will be answered as faxes.

6.6.2 Use mostly as a telephone (TEL mode)

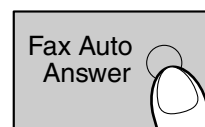
Your situation

You want to answer calls by yourself. If a fax call is received, you must receive the fax manually.

Setup

Set the unit to TEL mode (page 48) by pressing **[Fax Auto Answer]** repeatedly.

- The **[Fax Auto Answer]** light turns OFF.



Note:

- Make sure feature #404 is set to “TEL” beforehand (page 60).

How to receive phone calls and faxes

You have to answer all calls manually.

To receive a fax document, press **[Start]** and then **[2]**.

6.6.3 Use as a telephone and/or fax (TEL/FAX mode)

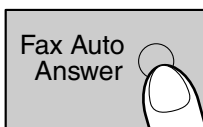
Your situation

You want to answer phone calls yourself and receive faxes automatically without rings.

Setup

Set the unit to TEL/FAX mode (page 48) by pressing **[Fax Auto Answer]** repeatedly.

- The **[Fax Auto Answer]** light turns OFF.

**Note:**

- Make sure feature #404 is set to “TEL/FAX” beforehand (page 60).

How phone calls and faxes are received

If the call is a phone call, the unit will ring.

If a fax calling tone is detected, the unit will receive the fax automatically without ringing.

6.6.4 Use with answering machine

Your situation

You want to use the unit with an answering machine.

Setup

Connect an external telephone answering machine and set the ring count of the answering machine to less than 4.

- Set the ring count in FAX ONLY mode of the unit to more than 4, if you use with auto answer ON.

How to receive calls

When receiving phone calls, the answering machine will record voice messages.

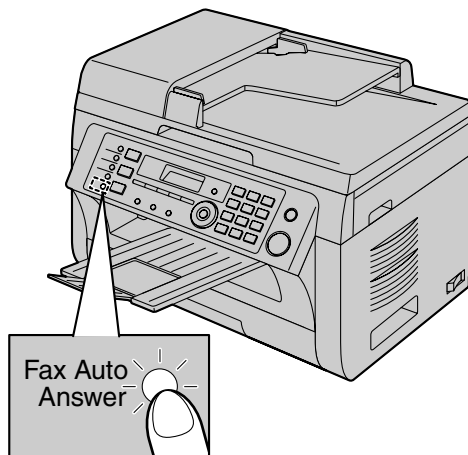
6.7 Receiving a fax automatically – Auto answer ON

- A4 or letter size recording paper can be used.

6.7.1 Activating FAX ONLY mode

Press **[Fax Auto Answer]** repeatedly to display “FAX ONLY MODE”.

- The **[Fax Auto Answer]** light turns ON.

**How faxes are received**

When receiving calls, the unit will automatically answer all calls and only receive fax documents.

Note:

- The number of rings before a call is answered in FAX ONLY mode can be changed (feature #210 on page 57).

6.8 Receiving a fax manually – Auto answer OFF

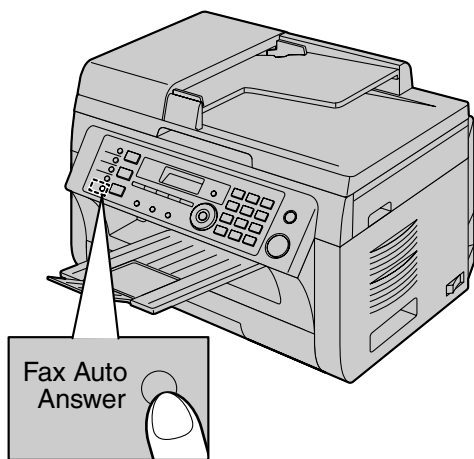
- A4 or letter size recording paper can be used.

Important:

- Use this mode with an extension telephone.

6.8.1 Activating TEL mode

- 1 Make sure feature #404 is set to “TEL” beforehand (page 60).
- 2 Press **[Fax Auto Answer]** repeatedly to display “TEL MODE”.
 - The **[Fax Auto Answer]** light turns OFF.



How to receive faxes with an extension telephone

If you have another telephone connected to the **[EXT]** socket or the same line (extension telephone), you can use the extension telephone to receive faxes.

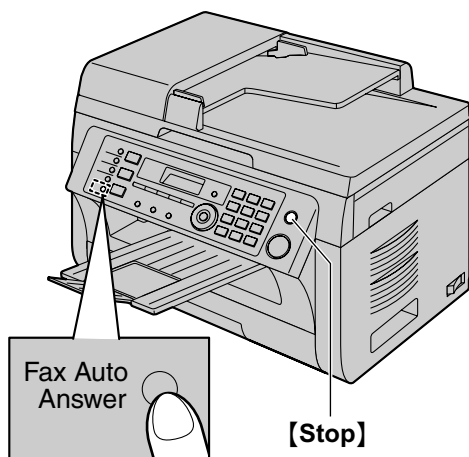
1. When the extension telephone rings, lift the handset of the extension telephone.
2. When:
 - document reception is required,
 - a fax calling tone (slow beep) is heard, or
 - no sound is heard,press **[*] [†] [9]** (default fax activation code) **firmly**.
3. Replace the handset.

Note:

- To stop receiving, see page 75.
- To receive fax documents using the extension telephone, make sure remote fax activation is turned ON (feature #434 on page 62) beforehand. The default setting is ON.

6.8.2 Activating TEL/FAX mode

- 1 Make sure feature #404 is set to “TEL/FAX” beforehand (page 60).
- 2 Press **[Fax Auto Answer]** repeatedly to display “TEL/FAX MODE”.
 - The **[Fax Auto Answer]** light turns OFF.
- 3 The ringer volume setting should be ON (page 21).



How phone calls and faxes are received

1. “INCOMING CALL” will be displayed but the unit will not ring.
2. The unit will wait for the duration of **2 rings** before answering the call.
 - The number of rings is determined by the “TEL/FAX delayed ring count” (feature #212 on page 60).
 - During this time, an extension telephone will ring.
3. The unit will answer the call and try to detect a fax calling tone.

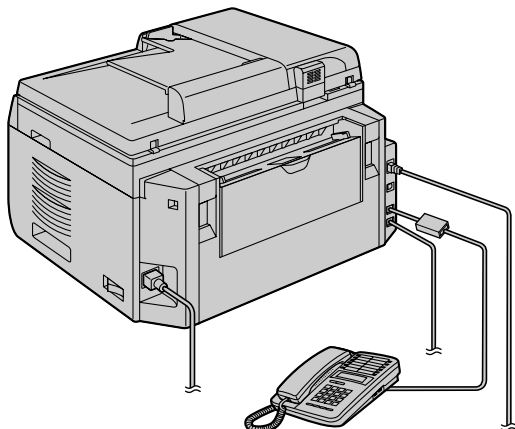
When a fax calling tone is detected

The unit receives the fax automatically without ringing.

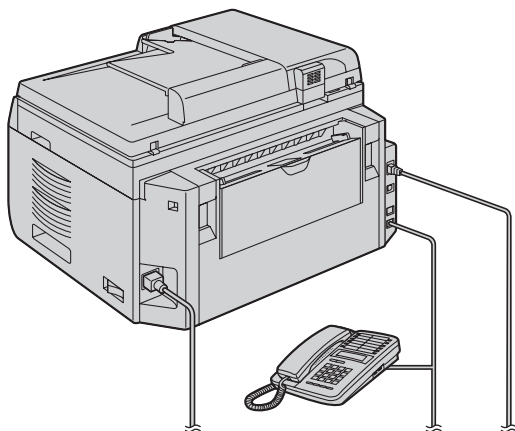
When a fax calling tone is not detected

- 1 The unit will ring **3 times**. You may answer the call.

- To answer using another telephone connected to the [EXT] socket of this unit, lift the handset, then press [Stop] on the unit to talk to the other party.



- To answer using another telephone connected to the same telephone line as this unit, lift the handset and talk to the other party.

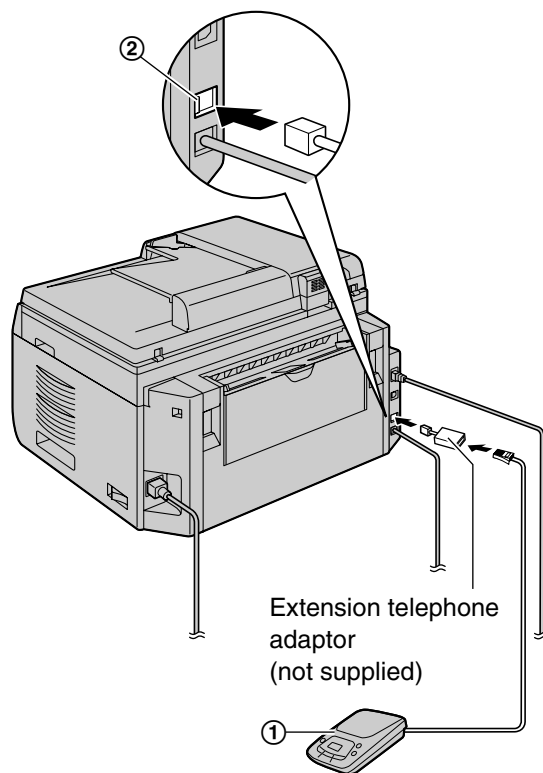


- The number of rings is determined by the “**Silent fax recognition ring count**” (feature #436 on page 62).
- Callers will hear a ring back tone different from the one generated by the telephone company.
- ② If you do not answer the call, the unit will activate the fax function.
- Some fax machines do not generate fax calling tones when sending faxes, therefore the unit will try to receive a fax even if no fax calling tone is detected.

6.9 Using the unit with an answering machine

6.9.1 Setting up the unit and an answering machine

- Connect the answering machine (①).
 - Answering machine is not supplied.
 - Please purchase an extension telephone adaptor.
 - Remove the stopper (②) if attached.



- Set the number of rings on the answering machine to 4 rings or less.
 - This will allow the answering machine to answer the call first.
- Record a greeting message on the answering machine.
 - We recommend you record a message up to 10 seconds long, and not to pause for more than 4 seconds during the message. Otherwise, neither machines will function correctly.
- Activate the answering machine.
- Set the unit to the desired receiving mode (page 47).
 - If you set to FAX ONLY mode, **change the ring count in FAX ONLY mode to more than 4 (feature #210 on page 57).**

6. Fax (KX-MB2025/KX-MB2030 only)

- 6 Make sure each of the following is unique:
- the remote access code of the answering machine
 - the fax activation code (feature #434 on page 62)

Note:

- If the call is a phone call, the answering machine will record voice messages.
If a fax calling tone is detected, the fax machine will receive a fax automatically.
- Regarding the remote access code for the answering machine, see the operating instructions of the answering machine.

Receiving a voice message and fax document in one call

The caller can leave a voice message and send a fax document during the same call. Inform the caller of the following procedure beforehand.

1. The caller calls your unit.
 - The answering device will answer the call.
2. The caller can leave a message after the greeting message.
3. The caller presses **[*] [#] [9]** (pre-selected fax activation code).
 - The unit will activate the fax function.
4. The caller presses the start button to send a document.

Note:

- To use this feature, make sure remote fax activation is turned ON (feature #434 on page 62). The fax activation code can also be changed.
- If there is no room left in the memory of your answering machine, the unit may not be able to receive documents. See the operating instructions of the answering machine and erase unnecessary messages.

6.10 Receive polling (retrieving a fax placed on another fax machine)

This feature allows you to retrieve a document from another compatible machine. Therefore you pay for the call.

Make sure that no documents are fed into your unit and that the other party's machine is ready for your call.

- 1 Press **[Menu]** repeatedly to display "POLLING". → **[Set]**
- 2 Dial the fax number. → **[Start]**

6.11 Junk fax prohibitor (preventing fax reception from undesired callers)

If you subscribe to Caller ID service (page 53), this feature prevents fax reception from calls that do not show caller information.

Additionally, the unit will not accept faxes originating from numbers that match the ones on a programmable junk fax prohibitor list.

Important:

- **This feature does not work if you receive faxes manually.**

6.11.1 Activating the junk fax prohibitor

- 1 Press **[Menu]** repeatedly to display "JUNK FAX PROH.". → **[▶]**
- 2 Press **[▼]** or **[▲]** repeatedly to select "ON". → **[Set]**
- 3 Press **[Stop]** to exit.

6.11.2 Storing undesired callers

You can register up to 20 undesired numbers from the Caller ID list (page 53) if you do not wish to receive faxes from them.

- 1 Press **[Menu]** repeatedly to display "JUNK FAX PROH.".
- 2 Press **[▶]** repeatedly to display "JUNK LIST SET". → **[Set]**
- 3 Press **[▼]** or **[▲]** repeatedly to display the party you do not want to receive faxes from. → **[Set]**
- 4 Press **[Stop]** 2 times to exit.

To display the junk fax prohibitor list

1. Press **[Menu]** repeatedly to display "JUNK FAX PROH.".
2. Press **[▶]** repeatedly to display "JUNK LIST DISP.". → **[Set]**
3. Press **[▼]** or **[▲]** to display the items on the list.
4. Press **[Stop]** to exit.

To print the junk fax prohibitor list

1. Press **[Menu]** repeatedly to display "JUNK FAX PROH.".
2. Press **[▶]** repeatedly to display "JUNK LIST PRINT". → **[Set]**
3. Press **[Stop]** to exit.

To erase an item from the junk fax prohibitor list

1. Press **[Menu]** repeatedly to display "JUNK FAX PROH.".

2. Press [▶] repeatedly to display “JUNK LIST DISP.”. → [Set]
3. Press [▼] or [▲] repeatedly to display the desired item. → [◀]
 - To cancel erasing, press [Stop], then press [Menu].
4. [Set] → [Menu]

6.12 Receiving a fax on your computer

You can receive a fax document on your computer. The received fax document is saved as an image file (TIFF-G4 format).

Important:

- Make sure the PC fax setting is set to “ALWAYS” or “CONNECTED” beforehand (feature #442 on page 63).
- Make sure the computer setting for the PC fax reception is set beforehand (feature #443 on page 24) (KX-MB2030, LAN connection only).
- Make sure the fax preview mode is turned OFF beforehand (feature #448 on page 52) (KX-MB2030, LAN connection only).

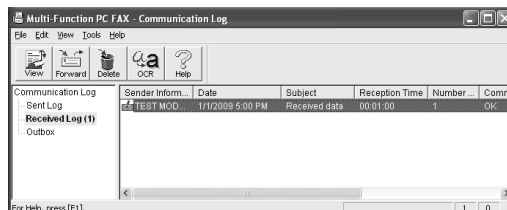
- 1 Press [Fax Auto Answer] repeatedly to turn the auto answer setting ON (page 47).
- 2 Start Multi-Function Station. → [PC FAX]
- 3 When a fax call is received, your computer will receive a document through the unit.

Note:

- You can view, print or transfer the received document using your computer.

Viewing a received document

1. Select [PC FAX] from Multi-Function Station.
2. Select [Received Log] in [Communication Log].



3. Click the item you want to view.
4. Click [File] in the menu bar, then select [View], or click the [View] icon in the toolbar.
 - The received fax will be displayed.

If a received fax document is stored in the unit's memory

You can load the document into your computer.

1. Select [PC FAX] from Multi-Function Station.
2. Select [Received Log] in [Communication Log].
3. Click [File] in the menu bar. → [Receive a Fax]
 - If the PC fax setting (feature #442 on page 63) is activated, the received fax document will be automatically transferred to the computer.

6.13 Web fax preview (KX-MB2030, LAN connection only)

You can display a received fax document in your web browser, and print or save the necessary document after you confirm the image.

Important:

- **Web fax preview will not be activated when using the unit for the first time. To activate this feature, set the following:**
 - “6.13.1 Activating the fax preview mode”, page 52.
 - “6.13.2 Programming the web fax preview access code”, page 52.

6.13.1 Activating the fax preview mode

- 1 **[Menu]** → **[#][4][4][8]**
- 2 Press **[1]** to select “ON”.
 - Press **[0]** to select “OFF”.
- 3 **[Set]** → **[Menu]**

Note:

- If you select “ON”, the PC fax setting (feature #442 on page 63) will be deactivated.

6.13.2 Programming the web fax preview access code

- 1 **[Menu]** → **[#][4][5][0]** → **[Set]**
- 2 Enter the password (feature #155 on page 56). → **[Set]**
- 3 Enter the web fax preview access code, up to 8 characters, using the English alphabet and numbers (see page 73 for character entry).
 - The following symbols can also be entered.
! @ # \$ % ^ & ' (. - _ { }
- 4 **[Set]** → **[Menu]**

Note:

- If the web fax preview access code is not programmed (blank), the web fax preview feature will not be activated.

6.13.3 Displaying a received fax document on the web browser

Important:

- **Make sure that the unit is idle.**
- 1 Start Multi-Function Station.
 - 2 **[Utilities]** → **[Configuration Web Page]** → **[Device Configuration]**
 - 3 Type “root” as the user name, then enter the password (feature #155 on page 56). → **[OK]**

- 4 Select the **[WEB FAX PREVIEW]** tab.
- 5 Enter the web fax preview access code (feature #450 on page 52). → **[Submit]**
 - A list of the received fax documents will be displayed.
- 6 Click the desired icon to preview, print or save a fax document.
 - While previewing the document, you can manipulate the fax document (Example: enlarge, rotate etc.).
- 7 Close the web browser.

Note:

- The display speed depends on the contents and size of the document.
- The received fax document is saved as an image file (PDF format). Adobe Reader is required to view it.

What “√” means

“√” on the display means the image has already been viewed, printed or saved.

- To delete a document after viewing a fax document in step 6, click **[Back]** to go back to the list. You can delete images showing “√”.
- To delete a document after printing or saving a fax document in step 6, click **[Reload]** to update the list. You can delete images showing “√”.

7.1 Caller ID service

This unit is compatible with the Caller ID service offered by your local telephone company. To use this unit's Caller ID features, you must subscribe to a Caller ID service.

Important:

- This unit is designed in accordance with the ETS (European Telecommunication Standard) and only supports the basic CLIP (Calling Line Identification Presentation) features.
- This unit will only display the caller's telephone number and name.
- This unit will not support future additional telephone services.
- Depending on the service of the local telephone company, the date/time of the call or the caller's name may not be displayed.

Make sure the following ring count is set to 2 or more rings beforehand.

- FAX ring count (feature #210 on page 57)
- TEL/FAX ring count (feature #212 on page 60)
- The name display service may not be available in some areas. For further information, please contact your telephone company.

7.1.1 How Caller ID is displayed

The calling party's name or telephone number will be displayed after the 1st ring. You have the option of whether or not to answer the call.

The unit will automatically store caller information (name, telephone number and date and time of the call) from the 30 most recent calls. It is possible to view caller information on the display (page 53) or print the entire Caller ID list (page 99).

- When caller information is received and it matches a telephone number stored in the unit's one-touch dial or phonebook, the stored name will be displayed.
- If the unit is connected to a PBX (Private Branch Exchange) system, caller information may not be received properly. Consult your PBX supplier.
- If the unit cannot receive caller information, the following will be displayed:
 "OUT OF AREA": The caller dialed from an area which does not provide Caller ID service.
 "PRIVATE CALLER": The caller requested not to send caller information.
 "LONG DISTANCE": The caller made a long distance call.

To confirm caller information by printing the Caller ID list

- To print manually, see page 99.
- To print automatically after every 30 new calls, activate feature #216 (page 58).

7.2 Viewing and calling back using caller information

Important:

- If the area code of the received telephone number is the same as yours, the area code may need to be deleted before calling back. This may only apply to some areas. To edit the number, see page 53.
- 1 If the **[Fax]** light is OFF, turn it ON by pressing **[Fax]**. → **[Caller ID]**
 - 2 Press **[▼]** to search from the recently received caller information.
 - If you press **[▲]**, the display order will be reversed.
 - To send a fax, see page 41.

To change the way caller information is displayed

While displaying the desired caller information, press **[Caller ID]** repeatedly to change name/telephone number information.

7.2.1 Symbols and operations for caller information

What "✓" means

"✓" on the display means the call has already been viewed or answered.

To stop viewing

Press **[Stop]**.

7.3 Editing a caller's telephone number before calling back/storing

- Make sure that the **[Fax]** light is ON.

- 1 **[Caller ID]**
- 2 Press **[▼]** or **[▲]** to display the desired item.
- 3 Press **[Caller ID]** to display the telephone number.
- 4 Press dial key (0 to 9) or **[✳]** to enter the editing mode and edit the telephone number.
 - To send a fax, see page 41.

Note:

- The edited telephone number will not be saved in the caller information. To save in the phonebook, see page 54.

To correct a mistake

1. Press **[←]** or **[→]** to move the cursor to the incorrect number.
2. Press **[Stop]** to delete the number.
3. Enter the correct number.

7. Caller ID (KX-MB2025/KX-MB2030 only)

To delete a number

Press [**◀**] or [**▶**] to move the cursor to the number you want to delete and press [**Stop**].

- Station 1 and 2 can be used alternatively as broadcast keys (page 44).

7.4 Erasing caller information

7.4.1 Erasing all caller information

- 1 Press [**Menu**] repeatedly to display “CALLER SETUP”. → [**Set**]
 - “CALL LIST ERASE” will be displayed.
- 2 [**Set**]
 - To cancel erasing, press [**Stop**], then [**Menu**].
- 3 [**Set**] → [**Stop**]

7.4.2 Erasing specific caller information

- Make sure that the [**Fax**] light is ON.
- 1 [**Caller ID**]
 - 2 Press [**▼**] or [**▲**] repeatedly to display the desired item. → [**◀**] → [**Set**] → [**Stop**]

7.5 Storing caller information

7.5.1 Into the one-touch dial feature and phonebook

- Make sure that the [**Fax**] light is ON.
- 1 [**Caller ID**]
 - 2 Press [**▼**] or [**▲**] repeatedly to display the desired item.
 - 3 [**Menu**]
 - 4 Select the station key or phonebook.
For station 1–2:
 1. Press the desired station key.
 2. Press [**▼**] or [**▲**] repeatedly to select “DIAL MODE”. → [**Set**] → [**Set**]
For station 3:

Press the station key. → [**Set**]

For station 4–6:

Press [**Lower**], then press the desired station key. → [**Set**]

For phonebook:

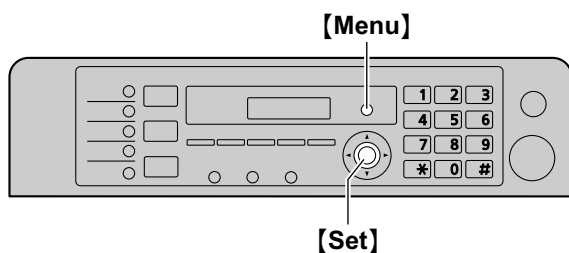
Press [**◀**] or [**▶**]. → [**Set**]

- 5 [**Set**]

Note:

- To edit a name or number, see page 42.
- If you assign an item to a station key which already contains an item, the previous item will be replaced.

8.1 Programming



- 1 **[Menu]**
- 2 Press **[#]** and the 3-digit code (page 56 to page 71).
- 3 Press the appropriate selection to display the desired setting.
 - This step will vary depending on the feature.
- 4 **[Set]**
- 5 Press **[Menu]** to exit.

To select features through the web browser interface (KX-MB2000/KX-MB2010/KX-MB2030, LAN connection only)

You can change features through the web browser interface instead of the unit.

1. Start Multi-Function Station. → **[Utilities]** → **[Configuration Web Page]**
 - You can also access the unit by entering its IP address on the web browser.
2. Select the desired category from the menu bar.
 - [Device Configuration]:** features of the unit
 - [Network Configuration]:** network features
3. Type “root” as the user name, then enter the password (feature #155 on page 56). → **[OK]**
4. Select the desired feature tab at the top of the right frame.
5. Change the settings or edit the information.
 - This step will vary depending on the feature.
6. **[Submit]**
 - The new setting will be transferred to the unit.
7. Close the web browser.

Note:

- The settings displayed in the web browser will be updated by clicking **[Reload]**.

8.2 Basic features

Feature/Code	Selection
Setting the date and time [#][1][0][1]	Enter the date and time using the dial keypad. See page 21 for details.
Setting your logo [#][1][0][2] (KX-MB2025/KX-MB2030 only)	Enter your logo using the dial keypad. See page 22 for details.
Setting your fax number [#][1][0][3] (KX-MB2025/KX-MB2030 only)	Enter your fax number using the dial keypad. See page 23 for details.
Setting recall/flash time [#][1][2][1] (KX-MB2025/KX-MB2030 only)	<p>The recall/flash time depends on your telephone exchange or host PBX.</p> <p>[0] "900ms" [1] "700ms" [2] "600ms" [3] "400ms" [4] "300ms" [5] "250ms" [6] "200ms" [7] "160ms" [8] "110ms" [9] "100ms" (default) [*] "90ms" [#] "80ms"</p> <p>Note:</p> <ul style="list-style-type: none"> If the unit is connected via a PBX, PBX functions (transferring a call, etc.) might not work correctly. Consult your PBX supplier for the correct setting.
Changing the LCD display contrast [#][1][4][5]	<p>[1] "NORMAL" (default) [2] "DARKER"</p>
Selecting the scale [#][1][4][7]	<p>[1] "MILLIMETRES" (default) [2] "INCHES"</p> <p>Note:</p> <ul style="list-style-type: none"> The selected scale will be used when measurements are shown on the unit's display.
Changing the password for feature programming via remote operation [#][1][5][5]	<ol style="list-style-type: none"> [Menu] → [#][1][5][5] → [Set] Enter the current password. → [Set] <ul style="list-style-type: none"> The default password is "1234". Enter a new 4-digit password using 0–9. → [Set] Enter the new password again. → [Set] → [Menu] <p>Note:</p> <ul style="list-style-type: none"> It is recommended that you change this password from the default password. This password is also used for feature programming via a web browser (KX-MB2000/KX-MB2010/KX-MB2030, LAN connection only).

Feature/Code	Selection
Setting the toner maintenance time [#][1][5][8]	<p>The unit will automatically activate for maintenance, once every 24 hours. Because this is to prevent the toner from solidifying, the noise that the unit makes during maintenance cannot be stopped. However, if the unit's noise bothers you, you can change the start time.</p> <ol style="list-style-type: none"> [Menu] → [#][1][5][8] → [Set] Enter the maintenance start time. <ul style="list-style-type: none"> The default time is "12:00". If you selected 12-hour time entry (page 21), press [*] repeatedly to select AM or PM. If you selected 24-hour time entry (page 21), the time is set using 24-hour time entry. [Set] → [Menu]
Resetting all features (and deleting all data in memory) [#][1][5][9]	<p>Before you dispose of, transfer or return the product, activate this feature to reset all programmable features and to delete all data stored in memory.</p> <p>KX-MB2025/KX-MB2030 only: Phonebook (or caller information) and fax transmission data (journal report and faxes received in memory) will be deleted.</p> <p>[0] "NO" (default) [1] "YES"</p> <ul style="list-style-type: none"> Disconnect the telephone line cord (KX-MB2025/KX-MB2030 only), USB cable and LAN cable (KX-MB2000/KX-MB2010/KX-MB2030 only) before activating this feature. <p>To reset all features:</p> <ol style="list-style-type: none"> [Menu] → [#][1][5][9] Press [1] to select "YES". → [Set] Press [1] to select "YES". → [Set]
Setting the ringer pattern [#][1][6][1] (KX-MB2025/KX-MB2030 only)	[1] "A" (default) [2] "B" [3] "C"
Setting the beep sounds and keytones [#][1][6][5]	[0] "OFF": Deactivate this feature. [1] "ON" (default): You will hear confirmation/error beep sounds and keytones. Note: <ul style="list-style-type: none"> Even if this feature is set to "OFF", the unit beeps in the following cases: <ul style="list-style-type: none"> the memory reception alert setting (feature #437 on page 62) is activated (KX-MB2025/KX-MB2030 only). the top cover is opened.
Changing the ring count in FAX ONLY mode [#][2][1][0] (KX-MB2025/KX-MB2030 only)	[1] "1" [2] "2" (default) [3] "3" [4] "4" [5] "5" [6] "6" [7] "7" [8] "8" [9] "9" Note: <ul style="list-style-type: none"> If you are using the unit with an answering machine, set to more than 4 (page 49).

8. Programmable Features

Feature/Code	Selection
Setting the Caller ID list to print automatically [#][2][1][6] (KX-MB2025/KX-MB2030 only)	[0] "OFF" (default): The unit will not print the Caller ID list, but will keep records of the information for the last 30 callers. [1] "ON" : The unit will print the Caller ID list automatically after every 30 new calls (page 53).
Setting the time adjustment [#][2][2][6] (KX-MB2025/KX-MB2030 only)	Using this feature, the unit's date and time setting will be automatically adjusted when caller information is received. [1] "AUTO" (default): The date and time setting will be automatically adjusted. [2] "MANUAL" : Deactivates this feature.
Setting the recording paper size in the paper input tray [#][3][8][0]	[1] "LETTER" : Letter-size paper [2] "A4" (default): A4-size paper [4] "B5 (ISO)" : B5(ISO)-size paper [5] "B5 (JIS)" : B5(JIS)-size paper [6] "16K" : 16K-size paper Note: <ul style="list-style-type: none"> When "B5 (ISO)", "B5 (JIS)" or "16K" is selected, received fax documents will be stored in memory (KX-MB2025/KX-MB2030 only).
Setting the recording paper size in the manual input tray [#][3][8][1]	[1] "LETTER" : Letter-size paper [2] "A4" (default): A4-size paper [3] "LEGAL" : Legal-size paper [4] "B5 (ISO)" : B5(ISO)-size paper [5] "B5 (JIS)" : B5(JIS)-size paper [6] "16K" : 16K-size paper [7] "216X330" [8] "216X340" Note: <ul style="list-style-type: none"> When you set feature #147 to "INCHES", the numbers are displayed in inches.
Setting the recording paper type for paper input tray [#][3][8][3]	[1] "PLAIN PAPER" (default): 75 g/m ² to 90 g/m ² paper. [2] "THIN PAPER" : 64 g/m ² to 75 g/m ² paper. Note: <ul style="list-style-type: none"> This setting will be deactivated when printing from a computer. To set the recording paper type for printing, see page 28.
Setting the recording paper type for manual input tray [#][3][8][4]	[1] "PLAIN PAPER" (default): 75 g/m ² to 90 g/m ² paper. [2] "THIN PAPER" : 64 g/m ² to 75 g/m ² paper. Note: <ul style="list-style-type: none"> This setting will be deactivated when printing from a computer. To set the recording paper type for printing, see page 28.
Setting the waiting time for the power save mode [#][4][0][3]	To set the length of time before the unit enters power save mode. [1] "5min" (default): 5 minutes [2] "15min" : 15 minutes [3] "30min" : 30 minutes [4] "1h" : 1 hour Note: <ul style="list-style-type: none"> When in power save mode, the unit needs to preheat the fuser unit before it can begin printing.

Feature/Code	Selection
Holding the previous contrast setting [#][4][6][2]	<p>[0] “DISABLED” (default): Deactivates this feature.</p> <p>[1] “ENABLED”: The unit will hold the previous setting.</p> <p>Note:</p> <ul style="list-style-type: none"> ● The previous setting will be held individually for copying. ● The previous setting will be held individually for sending faxes (KX-MB2025/KX-MB2030 only).
Setting the default operation mode [#][4][6][3] (KX-MB2025/KX-MB2030 only)	<p>To select the default operation mode when the selected time of the mode timer (feature #464) passes.</p> <p>[1] “COPY” (default): Copy mode is selected as default.</p> <p>[2] “FAX”: Fax mode is selected as default.</p> <p>Note:</p> <ul style="list-style-type: none"> ● You cannot select the scan mode using this feature.
Setting the default operation mode timer [#][4][6][4] (KX-MB2025/KX-MB2030 only)	<p>To set the timer before returning to the default operation mode (feature #463).</p> <p>[0] “OFF”: Deactivates this feature.</p> <p>[1] “30s”: 30 seconds</p> <p>[2] “1min” (default): 1 minute</p> <p>[3] “2min”: 2 minutes</p> <p>[4] “5min”: 5 minutes</p>
Setting toner save feature [#][4][8][2]	<p>[0] “OFF” (default): Deactivates this feature.</p> <p>[1] “ON”: The toner cartridge will last longer.</p> <p>Note:</p> <ul style="list-style-type: none"> ● This feature may lower the print quality by reducing toner consumption. ● This setting is valid for copying, and when the unit automatically prints reports/lists. ● This setting is invalid for printing received faxes (KX-MB2025/KX-MB2030 only).

8.3 Fax features (KX-MB2025/KX-MB2030 only)

Feature/Code	Selection
Changing the TEL/FAX delayed ring count [#][2][1][2]	<p>If you use an extension telephone in TEL/FAX mode, select the desired number of times the extension telephone rings before the unit answers the call.</p> <p>[1] "1" [2] "2" (default) [3] "3" [4] "4" [5] "5" [6] "6" [7] "7" [8] "8" [9] "9"</p> <p>Note:</p> <ul style="list-style-type: none"> See page 48 for details.
Erasing all items stored for the one-touch dial and phonebook [#][2][8][9]	<p>[0] "NO" (default) [1] "YES"</p> <ul style="list-style-type: none"> Disconnect the telephone line cord, USB cable and LAN cable (KX-MB2030 only) before activating this feature. <p>To erase all items:</p> <ol style="list-style-type: none"> [Menu] → [#][2][8][9] Press [1] to select "YES". → [Set] Press [1] to select "YES". → [Set] → [Menu]
Printing a sending report [#][4][0][1]	<p>[0] "OFF": Sending reports will not be printed. [1] "ON": A sending report will be printed after every fax transmission. [2] "ERROR" (default): A sending report will be printed only when fax transmission fails.</p>
Setting the journal report to print automatically [#][4][0][2]	<p>[0] "OFF": The unit will not print a journal report, but will keep a record of the last 30 fax transmissions and receptions. [1] "ON" (default): The unit will print a journal report automatically after every 30 new fax transmissions and receptions (page 41).</p>
Changing the receiving mode in the manual answer setting [#][4][0][4]	<p>[1] "TEL" (default): Telephone mode (page 48) [2] "TEL/FAX": Telephone/Fax mode (page 48)</p>
Sending documents overseas [#][4][1][1]	<p>If you cannot send a fax overseas even if the number is correct and the line is connected, activate this feature before sending the fax. This feature improves the reliability by reducing the transmission speed.</p> <p>[0] "OFF": Deactivates this feature. [1] "NEXT FAX": This setting is effective only for the next attempted fax transmission. After transmission, the unit will return to the previous setting. [2] "ERROR" (default): When the previous fax transmission fails and you wish to re-send the document.</p> <p>Note:</p> <ul style="list-style-type: none"> This feature is not available for broadcast transmission. Calling charges may be higher than usual.

Feature/Code	Selection
Sending a fax at a specific time [#][4][1][2]	<p>This feature allows you to take advantage of low-cost calling hours offered by your telephone company. This feature can be set up to 24 hours in advance of the desired time.</p> <p>[0] “OFF” (default) [1] “ON”</p> <p>To send a document:</p> <ol style="list-style-type: none"> If the [Fax] light is OFF, turn it ON by pressing [Fax]. Set the original (page 19). If necessary, change the resolution (page 41) and the contrast (page 41). [Menu] → [#][4][1][2] Press [1] to select “ON”. → [Set] Enter the fax number. <ul style="list-style-type: none"> To enter an item using one-touch dial feature and phonebook, see step 3 on “6.3.1 Using the scanner glass”, page 43. (When using phonebook, you do not have to press [Phonebook] before pressing [v] or [▲].) [Set] Enter the transmission start time. <ul style="list-style-type: none"> If you selected 12-hour time entry (page 21), press [*] repeatedly to select AM or PM. If you selected 24-hour time entry (page 21), the time is set using 24-hour time entry. When using the scanner glass, press [Set]. → [Start] When using the automatic document feeder, press [Set]. <ul style="list-style-type: none"> The document will be fed into the unit and scanned into memory. The unit will then send the data at the specified time. You cannot use this feature for another fax transmission until the former sending is completed. <p>Note:</p> <ul style="list-style-type: none"> To cancel this setting after programming, press [Stop] while the unit is idle, and then press [Set].
Setting the Error Correction Mode (ECM) [#][4][1][3]	<p>This feature is available when the sending / receiving fax machines are ECM compatible.</p> <p>[0] “OFF”: Deactivates this feature. [1] “ON” (default): Fax transmission / reception will be carried out so that the errors do not occur.</p>
Setting the connecting tone [#][4][1][6]	<p>If you often have trouble when sending faxes, this feature allows you to hear connecting tones: fax tone, ring back tone and busy tone. You can use these tones to confirm the status of the other party’s machine.</p> <p>[0] “OFF”: Deactivates this feature. [1] “ON” (default): You will hear connecting tones.</p> <p>Note:</p> <ul style="list-style-type: none"> If the ring back tone continues, the other party’s machine may not be a fax machine or may have run out of paper. Check with the other party. The connecting tone volume cannot be adjusted.
Setting the maximum fax speed [#][4][1][8]	<p>[1] “14 . 4Kbps” [2] “33 . 6Kbps” (default)</p> <p>Note:</p> <ul style="list-style-type: none"> The fax speed maybe lower than the selected speed depending on your line.
Setting auto reduction feature [#][4][3][2]	<p>To receive a fax document that is longer than your recording paper.</p> <p>[0] “OFF”: The unit will print received documents at their original size. [1] “ON” (default): The unit will fit received documents onto your recording paper.</p>

8. Programmable Features

Feature/Code	Selection
Changing the fax activation code [#][4][3][4]	<p>If you wish to use an extension telephone to receive faxes, activate this feature and program the activation code.</p> <p>Important:</p> <ul style="list-style-type: none"> • The fax activation code must be different from the code that you programmed on the answering machine. <p>[0] "OFF" [1] "ON" (default)</p> <ol style="list-style-type: none"> 1. [Menu] → [#][4][3][4] 2. Press [1] to select "ON". → [Set] 3. Enter your code from 2 to 4 digits, using 0–9, [*] and [#]. <ul style="list-style-type: none"> • The default code is *#9. • Do not enter "0000". 4. [Set] → [Menu]
Changing the silent fax recognition ring count [#][4][3][6]	<p>To change the number of times the unit rings while in TEL/FAX mode.</p> <p>[3] "3" (default) [4] "4" [5] "5" [6] "6" [7] "7" [8] "8" [9] "9"</p> <p>Note:</p> <ul style="list-style-type: none"> • See page 48 for details.
Setting the memory reception alert [#][4][3][7]	<p>To alert you with a beeping sound when a received fax document is stored into memory.</p> <p>[0] "OFF": Deactivates this feature. [1] "ON" (default): You will hear a beeping sound.</p> <p>Note:</p> <ul style="list-style-type: none"> • If documents are stored into memory due to some printing problem, the beeps will continue until you solve the problem. If a message is displayed, see page 77 to page 79 for directions on printing out the stored documents. Make sure the unit is supplied with enough paper to print the stored document. • If documents are stored into memory due to activating the web fax preview (feature #448 on page 52), the unit will not beep. However, the unit will start to beep when the memory is nearly full (KX-MB2030 only).
Setting friendly reception [#][4][3][8]	<p>To receive a fax automatically when you answer a call and hear a fax calling tone (slow beep).</p> <p>[0] "OFF": You have to press [Start], and then [2] for fax reception. [1] "ON" (default): You do not have to press [Start], and then [2] for fax reception.</p>

Feature/Code	Selection
Receiving a fax into the computer [#][4][4][2]	<p>If you wish to receive a fax into a computer, activate this feature and run [PC FAX] from Multi-Function Station.</p> <p>This feature is available when the fax preview mode is turned OFF (feature #448 on page 52) (KX-MB2030 only).</p> <p>[0] “OFF”: Deactivates this feature.</p> <p>[1] “ALWAYS”: If the unit recognizes the connection to the computer, it will transfer received documents to the computer. If the unit cannot recognize the connection, it will store received documents into memory, and then transfer the data after recognition of the computer connection.</p> <p>[2] “CONNECTED” (default): If the unit recognizes the connection to the computer, it will transfer received documents to the computer. If the unit cannot recognize the connection, it will print the data.</p>
Setting the computer for PC fax reception [#][4][4][3] (KX-MB2030 only)	<p>To select the computer that will be used for receiving a fax. See page 24 for details.</p>
Setting the fax preview mode [#][4][4][8] (KX-MB2030 only)	<p>See page 52 for details.</p>
Setting the web fax preview access code [#][4][5][0] (KX-MB2030 only)	<p>See page 52 for details.</p>
Setting notification of fax reception [#][4][5][1]	<p>[0] “OFF” (default): Deactivates this feature.</p> <p>[1] “ON”: The computer connected to your unit using USB/LAN will receive a notification when a fax document is received.</p> <p>Note:</p> <ul style="list-style-type: none"> • For LAN connection (KX-MB2030 only): Register computers to which fax reception notifications will be sent through the web browser interface (page 64).
Resetting fax features to their default settings [#][4][5][9]	<p>[0] “NO” (default)</p> <p>[1] “YES”</p> <p>To reset the fax features:</p> <ol style="list-style-type: none"> 1. [Menu] → [#][4][5][9] 2. Press [1] to select “YES”. → [Set] → [Set] → [Menu] <p>Note:</p> <ul style="list-style-type: none"> • The PC fax reception (feature #443 on page 24) will not be reset (KX-MB2030 only). • If you select “YES”, the unit will automatically print out any received fax documents that have been stored into memory: <ul style="list-style-type: none"> – PC fax setting (feature #442 on page 63). – Fax preview (feature #448 on page 52) (KX-MB2030 only).

8. Programmable Features

Feature/Code	Selection
<p>Setting the PC information for notification of fax reception (KX-MB2030 only, LAN connection only)</p> <ul style="list-style-type: none">• This feature can be programmed only through the web browser interface.	<p>Select the PC to send fax reception notification message to (up to 6 destinations).</p> <ol style="list-style-type: none">1. Start Multi-Function Station.2. [Utilities] → [Configuration Web Page] → [Device Configuration]3. Type “root” as the user name, then enter the password (feature #155 on page 56). → [OK]4. Select the [FAX FEATURE] tab.5. Click [Edit] next to [RECEIVE PC LIST].6. Click [List] next to the desired destination.7. Click the desired PC from the list. → [Submit]8. Close the web browser.

8.4 Copy features

Feature/Code	Selection
Setting the input tray to use for copy [Ⓜ][4][6][0]	<p>[1] “#1” (default): The paper input tray is selected. The displayed paper size depends on the recording paper size setting (feature #380 on page 58).</p> <p>[2] “#2”: The manual input tray is selected. The displayed paper size depends on the recording paper size setting (feature #381 on page 58).</p>
Changing the default copy resolution [Ⓜ][4][6][1]	<p>To change the default resolution setting for copying.</p> <p>[1] “TEXT/PHOTO” (default): For documents containing both text and photographs.</p> <p>[2] “TEXT”: For documents containing only text.</p> <p>[3] “PHOTO”: For documents containing photographs, shaded drawings, etc.</p>
Holding the previous page layout setting [Ⓜ][4][6][7]	<p>[0] “DISABLED” (default): Deactivates this feature.</p> <p>[1] “ENABLED”: The unit will hold the previous setting.</p>
Holding the previous zoom setting [Ⓜ][4][6][8]	<p>[0] “DISABLED” (default): Deactivates this feature.</p> <p>[1] “ENABLED”: The unit will hold the previous setting.</p>
Holding the previous collate setting [Ⓜ][4][6][9]	<p>[0] “DISABLED” (default): Deactivates this feature.</p> <p>[1] “ENABLED”: The unit will hold the previous setting.</p>
Holding the previous edge setting [Ⓜ][4][7][3]	<p>[0] “DISABLED” (default): Deactivates this feature.</p> <p>[1] “ENABLED”: The unit will hold the previous setting.</p>
Setting the frame margin [Ⓜ][4][7][4]	<p>[0] “DISABLED” (default): Deactivates this feature.</p> <p>[1] “ENABLED”: Your copies will be automatically reduced according to the margin setting.</p>
Holding the previous margin setting [Ⓜ][4][7][5]	<p>[0] “DISABLED” (default): Deactivates this feature.</p> <p>[1] “ENABLED”: The unit will hold the previous setting.</p>

8.5 PC print features

Feature/Code	Selection
Changing the data timeout setting [#][7][7][4]	<p>The unit will automatically print the remaining data in memory when the computer does not send data to the unit during the set time.</p> <ol style="list-style-type: none">1. [Menu] → [#][7][7][4] → [Set]2. Enter the desired data timeout setting from “005” seconds to “600” seconds, using the dial keypad.<ul style="list-style-type: none">• The default setting is “060” seconds.3. [Set] → [Menu]
Setting mutual A4/letter print [#][7][7][6]	<p>This feature allows printing in A4-size even if letter-size recording paper is loaded in the paper input tray, and vice versa.</p> <p>[0] “OFF”: Deactivates this feature.</p> <p>[1] “ON” (default): Printing is possible between A4/letter-size.</p>

8.6 Scan features

Feature/Code	Selection
<p>Setting the scan mode for Push Scan [#][4][9][3]</p>	<p>[1] “VIEWER” (default): The scanned image will be displayed in the [Multi-Function Viewer] window.</p> <p>[2] “FILE”: The scanned image will be saved as a file.</p> <p>[3] “EMAIL”: The scanned image will be saved for email attachment.</p> <p>[4] “OCR”: The scanned image will be displayed in the OCR window.</p> <p>[5] “EMAIL ADDRESS”: The scanned image will be sent as an attachment without using email software.</p> <p>[6] “FTP SERVER”: The scanned image will be sent to the pre-programmed folder on the FTP server.</p> <p>[7] “SMB FOLDER”: The scanned image will be sent to the pre-programmed SMB folder.</p> <p>Note:</p> <ul style="list-style-type: none"> • Following selections will be displayed only when the server setting is programmed through the web browser interface in advance (KX-MB2000/KX-MB2010/KX-MB2030 only). <ul style="list-style-type: none"> – “EMAIL ADDRESS” will be displayed when the email server setting is programmed (page 67). – “FTP SERVER” will be displayed when the FTP server setting is programmed (page 68). – “SMB FOLDER” will be displayed when the SMB folder setting is programmed (page 68).
<p>Holding the previous scanning parameter for Push Scan [#][4][9][4]</p>	<p>[0] “DISABLED” (default): Deactivates this feature.</p> <p>[1] “ENABLED”: The unit will hold the previous scan settings for each mode of push scan.</p>
<p>Setting the information for scan to email address (KX-MB2000/KX-MB2010/KX-MB2030, LAN connection only)</p> <ul style="list-style-type: none"> • This feature can be programmed only through the web browser interface. 	<p>When you send scanned files as email attachments directly from this unit, you need to program the email server and SMTP server settings beforehand. Consult your service provider or network administrator for details.</p> <ol style="list-style-type: none"> 1. Start Multi-Function Station. 2. [Utilities] → [Configuration Web Page] → [Device Configuration] 3. Type “root” as the user name, then enter the password (feature #155 on page 56). → [OK] 4. Select the [SCAN FEATURE] tab. 5. Click [Edit] next to [EMAIL SERVER]. 6. Enter the email server and SMTP server information. → [Submit] 7. Close the web browser.

8. Programmable Features

Feature/Code	Selection
<p>Registering the scan to email address destinations (KX-MB2000/KX-MB2010/ KX-MB2030, LAN connection only)</p> <ul style="list-style-type: none"> This feature can be programmed only through the web browser interface. 	<p>When you send scanned files as email attachments directly from this unit, you can register email destinations (up to 30 destinations) for the unit through the web browser interface in advance.</p> <ol style="list-style-type: none"> Start Multi-Function Station. [Utilities] → [Configuration Web Page] → [Device Configuration] Type “root” as the user name, then enter the password (feature #155 on page 56). → [OK] Select the [SCAN FEATURE] tab. Click [Edit] next to [SEND USER]. Click [Edit] next to the desired scan to email user. Enter the name and email address. <ul style="list-style-type: none"> Select the station key number from the drop-down list if necessary (KX-MB2030 only). [Submit] Close the web browser.
<p>Setting the information for scan to FTP (KX-MB2000/ KX-MB2010/KX-MB2030, LAN connection only)</p> <ul style="list-style-type: none"> This feature can be programmed only through the web browser interface. 	<p>When you send scanned files to an FTP server, you can register the FTP destinations (up to 6 destinations) to the unit through the web browser interface.</p> <ol style="list-style-type: none"> Start Multi-Function Station. [Utilities] → [Configuration Web Page] → [Device Configuration] Type “root” as the user name, then enter the password (feature #155 on page 56). → [OK] Select the [SCAN FEATURE] tab. Click [Edit] next to [FTP SERVER]. Click [Edit] next to the desired FTP server. Enter the server name, IP address, folder directory, etc. → [Submit] Close the web browser. <p>Note:</p> <ul style="list-style-type: none"> If you do not enter a folder directory in step 7, the scanned image will be saved in the root folder.
<p>Setting the information for scan to SMB folder (KX-MB2000/KX-MB2010/ KX-MB2030, LAN connection only)</p> <ul style="list-style-type: none"> This feature can be programmed only through the web browser interface. 	<p>When you send scanned files to an SMB folder, you can register the SMB folder destinations (up to 6 destinations) to the unit through the web browser interface.</p> <ol style="list-style-type: none"> Start Multi-Function Station. [Utilities] → [Configuration Web Page] → [Device Configuration] Type “root” as the user name, then enter the password (feature #155 on page 56). → [OK] Select the [SCAN FEATURE] tab. Click [Edit] next to [SMB FOLDER]. Click [Edit] next to the desired SMB folder. Enter the folder name, folder directory, domain name, etc. → [Submit] Close the web browser.

8.7 LAN features (KX-MB2000/KX-MB2010/KX-MB2030 only)

Feature/Code	Selection
LAN setting with a DHCP server 【#】【5】【0】【0】	<p>【0】 “DISABLED”: Deactivates this feature.</p> <p>【1】 “ENABLED” (default): The following will be allocated automatically using a DHCP (Dynamic Host Configuration Protocol) server.</p> <ul style="list-style-type: none"> – IP address – Subnet mask – Default gateway
Setting the IP address for the LAN connection 【#】【5】【0】【1】	<p>This feature is available when feature #500 is deactivated.</p> <ol style="list-style-type: none"> 1. 【Menu】 → 【#】【5】【0】【1】 → 【Set】 2. Enter the IP address of the unit on the LAN using the dial keypad. → 【Set】 → 【Menu】
Setting the Subnet mask for the LAN connection 【#】【5】【0】【2】	<p>This feature is available when feature #500 is deactivated.</p> <ol style="list-style-type: none"> 1. 【Menu】 → 【#】【5】【0】【2】 → 【Set】 2. Enter the subnet mask of the network on the LAN using the dial keypad. → 【Set】 → 【Menu】
Setting the default gateway for the LAN connection 【#】【5】【0】【3】	<p>This feature is available when feature #500 is deactivated.</p> <ol style="list-style-type: none"> 1. 【Menu】 → 【#】【5】【0】【3】 → 【Set】 2. Enter the default gateway of the network on the LAN using the dial keypad. → 【Set】 → 【Menu】
Setting the primary DNS server for the LAN connection 【#】【5】【0】【4】	<p>This feature is available when feature #500 is deactivated.</p> <ol style="list-style-type: none"> 1. 【Menu】 → 【#】【5】【0】【4】 → 【Set】 2. Enter the primary DNS server of the network on the LAN using the dial keypad. → 【Set】 → 【Menu】
Setting the secondary DNS server for the LAN connection 【#】【5】【0】【5】	<p>This feature is available when feature #500 is deactivated.</p> <ol style="list-style-type: none"> 1. 【Menu】 → 【#】【5】【0】【5】 → 【Set】 2. Enter the secondary DNS server of the network on the LAN using the dial keypad. → 【Set】 → 【Menu】
Setting the machine name 【#】【5】【0】【7】	<ol style="list-style-type: none"> 1. 【Menu】 → 【#】【5】【0】【7】 → 【Set】 2. Enter the name of the unit to recognize on the LAN, up to 15 characters, using the English alphabet and numbers (see page 73 for character entry). <ul style="list-style-type: none"> • The following symbols can also be entered. ! @ # \$ % ^ & ' (. - _ { } 3. 【Set】 → 【Menu】 <p>Note:</p> <ul style="list-style-type: none"> • In order to recognize the unit on the LAN, the default name of the unit is assigned automatically. If you change the name, assign a unique name to avoid overlapping.
Displaying the MAC address of the unit 【#】【5】【0】【8】	<ol style="list-style-type: none"> 1. 【Menu】 → 【#】【5】【0】【8】 → 【Set】 2. The MAC address of the unit will be displayed. → 【Menu】

8. Programmable Features

Feature/Code	Selection
IP filtering for the LAN connection [#][5][3][2]	<p>[0] “DISABLED” (default): Deactivates this feature.</p> <p>[1] “ENABLED”: The unit will deny/approve access from the pre-programmed IP patterns. You can program whether to deny or approve IP addresses. Up to 4 patterns each for IPv4 and IPv6 can be programmed through the web browser interface.</p> <ol style="list-style-type: none"> 1. Start Multi-Function Station. 2. [Utilities] → [Configuration Web Page] → [Network Configuration] 3. Type “root” as the user name, then enter the password (feature #155 on page 56). → [OK] 4. Select the [LAN FEATURE] tab. 5. Click [Edit] next to [IP FILTERING]. 6. Click [Edit] next to [FILTER (IPv4)]/[FILTER (IPv6)]. 7. Change the mode and edit IP filtering information. → [Submit] 8. Close the web browser.
Setting the IP address automatically for the LAN connection [#][5][3][3]	<p>This feature will be displayed only when feature #500 is activated.</p> <p>[0] “DISABLED” (default): Deactivates this feature.</p> <p>[1] “ENABLED”: IP address will be allocated automatically without using a DHCP (Dynamic Host Configuration Protocol) server.</p>
Setting HTTPD for the LAN connection [#][5][3][4]	<p>[0] “DISABLED”: Denies access to the web browser.</p> <p>[1] “ENABLED” (default): Allows access to the web browser.</p>
IPv6 protocol [#][5][3][5]	<p>[0] “DISABLED” (default): Deactivates this feature.</p> <p>[1] “ENABLED”: IPv6 protocol can be used. After installing the printer driver, be sure to change the port to IPv6 protocol. You can check the IPv6 protocol address by printing the “SETUP LIST” (page 99).</p> <p>Note:</p> <ul style="list-style-type: none"> • To activate this feature, you need to turn the power switch of the unit OFF, then ON.
Setting the primary WINS server for the LAN connection [#][5][3][8]	<p>This feature is available when feature #500 is deactivated.</p> <ol style="list-style-type: none"> 1. [Menu] → [#][5][3][8] → [Set] 2. Enter the primary WINS server of the network on the LAN using the dial keypad. → [Set] → [Menu]
Setting the secondary WINS server for the LAN connection [#][5][3][9]	<p>This feature is available when feature #500 is deactivated.</p> <ol style="list-style-type: none"> 1. [Menu] → [#][5][3][9] → [Set] 2. Enter the secondary WINS server of the network on the LAN using the dial keypad. → [Set] → [Menu]

Feature/Code	Selection
Erasing all email addresses, FTP destinations, and SMB folder destinations stored in the unit [*][5][7][8]	<p>[0] “NO” (default)</p> <p>[1] “YES”</p> <ul style="list-style-type: none"> ● Disconnect the telephone line cord (KX-MB2030 only), USB cable and LAN cable before activating this feature. <p>To erase all email addresses:</p> <ol style="list-style-type: none"> 1. [Menu] → [*][5][7][8] 2. Press [1] to select “YES”. → [Set] 3. Press [1] to select “YES”. → [Set] → [Menu] <p>To erase FTP destinations:</p> <ol style="list-style-type: none"> 1. [Menu] → [*][5][7][8] 2. Press [1] to select “YES”. → [Set] 3. Press [0] to select “NO”. → [Set] 4. Press [1] to select “YES”. → [Set] → [Menu] <p>To erase SMB folder destinations:</p> <ol style="list-style-type: none"> 1. [Menu] → [*][5][7][8] 2. Press [1] to select “YES”. → [Set] 3. Press [0] to select “NO”. → [Set] 4. Press [0] to select “NO”. → [Set] 5. Press [1] to select “YES”. → [Set] → [Menu]

8.8 Network features (KX-MB2000/KX-MB2010/KX-MB2030, LAN connection only)

These features can be programmed through the web browser interface.

Feature	Tab	Selection
Setting the LAN features	[LAN FEATURE]	Enter the LAN feature settings. See page 69 for details.
Setting the community name for SNMP	[SNMP]	Enter the SNMP community name. Consult your service provider or network administrator for details.
Setting the location where you use this unit	[SNMP]	Enter the location information of the unit.
Displaying the link local address for IPv6	[IPv6]	The link local address will be displayed.
Displaying the IPv6 address for auto configuration	[IPv6]	The IP address for auto configuration will be displayed.
Setting the IP address for IPv6	[IPv6]	Enter the IP address for IPv6. Consult your service provider or network administrator for details.
Setting the default router for IPv6	[IPv6]	Enter the default router address for IPv6. Consult your service provider or network administrator for details.
Setting the information for scan to FTP	[FTP FEATURE]	Enter the FTP server information to send scanned images from the unit to an FTP server. See page 68 for details.
Setting the information for scan to SMB	[SMB FEATURE]	Enter the SMB folder information to send scanned images from the unit to an SMB folder. See page 68 for details.
Setting the information for scan to email address	[EMAIL FEATURE]	Enter the email server and SMTP server information to send scanned images from the unit via an email. See page 67 for details.
Registering the scan to email address destinations	[EMAIL FEATURE]	Register email address destinations (up to 30 destinations) for the unit. See page 68 for details.
Setting the error notify feature	[ERROR NOTIFY]	[ENABLED] : The unit will send an email to registered destinations when a problem occurs. [DISABLED] (default): Deactivates this feature.
Setting the email server information for the error notify feature	[ERROR NOTIFY]	Enter the email server and SMTP server information to send error notification emails to.
Registering destinations for the error notify feature	[ERROR NOTIFY]	Enter the email address to which error notifications will be sent and select the types of problems. [LIFE WARNING] : A warning indicating that the toner cartridge or drum cartridge needs to be replaced soon. [MEDIA PATH ERROR] : An error indicating that there is a problem with the paper input tray/manual input tray. [LIFE ERROR] : An error indicating that the toner cartridge or drum cartridge needs to be replaced.

9.1 Character entry

The dial keypad is used to enter characters and numbers.

- Press **[◀]** or **[▶]** to move the cursor.
- Press the dial keys to enter characters and numbers.
- Press **[Stop]** to erase the character or number highlighted by the cursor. Press and hold **[Stop]** to erase all characters or numbers.
- To enter another character located on the same dial key, press **[▶]** to move the cursor to the next space, then press the appropriate dial key.

Keypad	Characters
[1]	1 . _ - [] { } + / = , ` : ; ?
[2]	A B C 2
	a b c 2
[3]	D E F 3
	d e f 3
[4]	G H I 4
	g h i 4
[5]	J K L 5
	j k l 5
[6]	M N O 6
	m n o 6
[7]	P Q R S 7
	p q r s 7
[8]	T U V 8
	t u v 8
[9]	W X Y Z 9
	w x y z 9
[0]	0 @ () < > ! " # \$ % & ¥ * ^ ' →
[*]	To switch between uppercase or lowercase letters.
[Recall] (KX-MB2025/ KX-MB2030 only)	Hyphen
[Zoom]	To insert a space.
[Stop]	To delete a character.

④ Lowercase letters*¹

*¹ When you enter email address (i.e. scan to email address feature on page 31), lowercase letters will be displayed first (KX-MB2000/KX-MB2010/KX-MB2030, LAN connection only).

- If you press **[▲]**, the order will be reversed.
2. Press **[▶]** to insert the displayed character.
 3. Return to step 1 to enter the next character.

To select characters using **[▼]** or **[▲]**

Instead of pressing the dial keys, you can select characters using **[▼]** or **[▲]**.

1. Press **[▼]** repeatedly to display the desired character. Characters will be displayed in the following order:
 - ① Uppercase letters
 - ② Numbers
 - ③ Symbols

9.2 Status of the unit

9.2.1 Using Remote Control

You can easily operate the following functions from your computer.

- Programming the features (page 56)

KX-MB2025/KX-MB2030 only:

- Storing, editing or erasing items in directories (page 42)
- Storing or erasing items for broadcast transmission (page 44)
- Viewing items in the journal report (page 41)
- Saving the journal report on your computer
- Viewing items in the Caller ID list (page 53)
- Storing caller information into directories (page 54)
- Saving the Caller ID list on your computer

1 Start Multi-Function Station. → [Remote Control]

- The [Multi-Function Remote Control] window will appear.



2 Select the desired tab (KX-MB2025/KX-MB2030 only).

- The latest data in the unit will be displayed.

3 Perform the desired operation.

- For details about each function, click [Help].
- To stop the operation, click [Cancel].

4 [OK]

- You can also click [Apply] to continue the next operation without closing the window.

5 Enter the password (feature #155 on page 56). → [OK]

- The new data will be transferred to the unit and the window will close.

Note:

- Some of the features cannot be programmed from your computer.
- For details, see the help file by selecting [?] from Multi-Function Station.

- When another person is adjusting stored data in the unit, it may be overwritten. Make sure the unit is not currently being used for the same function.

9.2.2 Using Device Monitor

You can confirm the setting information and current status of the unit from your computer.

1 Start Multi-Function Station.

2 [Utilities] → [Device Monitor]

- The [Device Monitor] window will appear.

3 Confirm the status of the unit.

[Status]: Current status of the unit

Note:

- Additional information (toner and recording paper status, unit information, etc.) will be displayed in [Status] tab by clicking [Advanced Information].
- You can update the status of the unit by clicking [Refresh].
- If a printing error occurs, the Device Monitor will start automatically and display the error information.
- For details, see the help file by selecting [?] from Multi-Function Station.

9.2.3 Using the web browser (KX-MB2000/ KX-MB2010/KX-MB2030, LAN connection only)

You can confirm the setting information and status of the unit from the web browser.

1 Start Multi-Function Station. → [Utilities] → [Configuration Web Page]

- You can also access the unit by entering its IP address in a web browser.

2 Select a category from the menu bar.

[Status]: Toner and paper information, etc.

[Device]: Current status of the unit, etc.

[Network]: Network information, etc.

- When you select [Device] or [Network], you can change which features are displayed by clicking the feature tabs at the top of the right frame.

3 Confirm the status of the unit.

Note:

- You can update the status of the unit by clicking [Reload].

9.3 Cancelling the operations

You can cancel the current operation from the unit. You can also select the desired operation to cancel.

1 [Stop]

- “USER STOPPED” is displayed.
- If “USER STOPPED” is not displayed, go to step 2.

2 To cancel printing:

Press **[Stop]** repeatedly to display “STOP PRINTING?”.

To cancel scanning (KX-MB2025/KX-MB2030 only):

Press **[Stop]** repeatedly to display “STOP SCANNING?”.

To cancel copying:

Press **[Stop]** repeatedly to display “STOP COPYING?”.

To cancel sending or receiving faxes (KX-MB2025/KX-MB2030 only):

Press **[Stop]** repeatedly to display “STOP FAX?”.

To cancel broadcast transmission (KX-MB2025/KX-MB2030 only):

Press **[Stop]** repeatedly to display “BROADCAST CANCELLED?”.

To cancel fax redialling (KX-MB2025/KX-MB2030 only):

Press **[Stop]** repeatedly to display “SEND CANCELLED?”.

3 [Set]

10.1 Report messages (KX-MB2025/KX-MB2030 only)

To indicate the unit's fax transmission/reception status, one of the following messages will be printed on the sending and journal reports (page 41).

Message	Code	Cause & Solution
COMMUNICATION ERROR	40-42 46-72 FF	<ul style="list-style-type: none"> ● A transmission or reception error occurred. Try again or check with the other party.
	43 44	<ul style="list-style-type: none"> ● A line problem occurred. Connect the telephone line cord to a different socket and try again. ● An overseas transmission error occurred. Try using the overseas mode (feature #411 on page 60).
DOCUMENT JAMMED	----	<ul style="list-style-type: none"> ● Remove the jammed document (page 93).
ERROR-NOT YOUR UNIT	53 54 59 70	<ul style="list-style-type: none"> ● A transmission or reception error occurred because of a problem with the other party's fax machine. Check with the other party.
JUNK FAX PROH. REJECT	----	<ul style="list-style-type: none"> ● The junk fax prohibitor feature of this unit rejected fax reception.
MEMORY FULL	----	<ul style="list-style-type: none"> ● The memory is full of received documents due to a lack of recording paper or a recording paper jam. Load paper (page 14) or remove the jammed paper (page 88). ● If the PC fax setting (feature #442 on page 63) is set to "ALWAYS", check the connection between the computer and the unit. ● If your unit is connected to the computer via the LAN and the fax preview mode (feature #448 on page 52) is set to "ON", view, print or save the documents on the web browser, and then erase unnecessary documents (page 52).
NO DOCUMENT / FAILED PICKUP	----	<ul style="list-style-type: none"> ● The document was not fed into the unit properly. Re-insert it and try again.
OTHER FAX NOT RESPONDING	----	<ul style="list-style-type: none"> ● The other party's fax machine is busy or has run out of recording paper. Try again. ● The other party's fax machine rings too many times. Send the fax manually (page 41). ● The other party's machine is not a fax machine. Check with the other party. ● The number you dialed is not in service.
PRESSED THE 'Stop' KEY	----	<ul style="list-style-type: none"> ● [Stop] was pressed and fax communication was cancelled.
THE COVER WAS OPENED	----	<ul style="list-style-type: none"> ● The top cover was opened. Close it and try again.
OK	----	<ul style="list-style-type: none"> ● Fax transmission or reception was successful.

10.2 Display messages

To indicate the unit's status, one or more of the following messages will appear on the display.

Display	Cause & Solution
"CALL SERVICE"	<ul style="list-style-type: none"> There is something wrong with the unit. Contact our service personnel.
"CHANGE DRUM"	<ul style="list-style-type: none"> There is something wrong with the drum cartridge. Replace the drum cartridge and the toner cartridge.
"CHECK DOCUMENT"	<ul style="list-style-type: none"> The document was not fed into the unit properly. Remove the document, and then press [Stop] to clear the message. Re-insert the document. If misfeeding occurs frequently, clean the document feeder rollers (page 98) and try again.
"CHECK DRUM"	<ul style="list-style-type: none"> The drum cartridge is not inserted properly. Re-insert it correctly (page 10).
"CHECK PAPER #1"	<ul style="list-style-type: none"> Recording paper is not installed or the paper input tray has run out of paper. Install paper (page 14). Recording paper was not fed into the unit properly. Re-insert the recording paper (page 92). The paper input tray is not installed or is not inserted completely. Insert the paper input tray into the unit.
"CHECK PAPER TRAY #1"	<ul style="list-style-type: none"> The loaded recording paper is not the appropriate size. Load recording paper of the size that is shown on the display. If this message is often displayed, also change the recording paper size setting (feature #380 on page 58). The recording paper size setting (feature #380 on page 58) is set to "B5 (ISO)", "B5 (JIS)" or "16K", so received faxes have been stored into memory. Change the recording paper size setting and load the appropriate recording paper. <p>Note:</p> <ul style="list-style-type: none"> "#1": Check the paper input tray. The displayed paper size depends on the recording paper size setting (feature #380 on page 58). "#2": Check the manual input tray. The displayed paper size depends on the recording paper size setting (feature #381 on page 58).
"CHECK PICK UP INPUT TRAY #2"	<ul style="list-style-type: none"> Recording paper was not fed into the unit properly. Load the paper again (page 92).
"CHECK REAR COVER"	<ul style="list-style-type: none"> The manual input tray (rear cover) is open. Close it. A recording paper jam occurred near the manual input tray (rear cover). Remove the jammed paper (page 88).
"COOL DOWN FUSER"	<ul style="list-style-type: none"> The unit is cooling down the fuser unit. Wait for a while.
"DRUM LIFE LOW REPLACE SOON"	<ul style="list-style-type: none"> The drum is reaching the end of its life. Replace the drum cartridge and the toner cartridge as soon as possible.
"EMAIL SIZE OVER"	<ul style="list-style-type: none"> When performing scan to email address, the total file size of scanned data exceeded the file size limitation. Divide the document into sections.

Display	Cause & Solution
"FAX IN MEMORY"	<ul style="list-style-type: none"> ● The unit has a document in memory. See the other displayed message instructions to print out the document. For fax memory capacity, see page 100. ● If the PC fax setting (feature #442 on page 63) is set to "ALWAYS", <ul style="list-style-type: none"> – check the connection between the computer and the unit. – check that the computer is turned ON. ● If your unit is connected to the computer via the LAN and the fax preview mode (feature #448 on page 52) is set to "ON", <ul style="list-style-type: none"> – view, print or save the received fax documents, and then erase the unnecessary documents (page 52). – turn the setting to "OFF". The fax documents stored in memory will be printed automatically.
"FILE SIZE OVER"	<ul style="list-style-type: none"> ● When performing scan to FTP server or scan to SMB folder, the total file size of scanned data exceeded the file size limitation. Divide the document into sections.
"KEEP COPYING"	<ul style="list-style-type: none"> ● Copying has stopped due to some existing problem (Example: a lack of recording paper or a recording paper jam). See the other displayed message instructions to continue copying.
"LOW TEMP."	<ul style="list-style-type: none"> ● The inside of the unit is extremely cold and cannot be operated. Use the unit in a warmer area.
"MEMORY FULL"	<ul style="list-style-type: none"> ● When performing memory transmission, the document being stored exceeded the memory capacity of the unit. Send the entire document manually. ● When making a copy, the document being stored exceeded the memory capacity of the unit. Press [Stop] to clear the message. Divide the document into sections.
"MODEM ERROR"	<ul style="list-style-type: none"> ● There is something wrong with the unit's modem. Contact our service personnel.
"NO FAX REPLY"	<ul style="list-style-type: none"> ● The other party's fax machine is busy or has run out of recording paper. Try again.
"OUT OF PAPER INPUT TRAY #2"	<ul style="list-style-type: none"> ● Recording paper is not loaded in the manual input tray. Load paper (page 15).
"PAPER IN TRAY #2"	<ul style="list-style-type: none"> ● The recording paper is installed in the manual input tray (page 15).
"PAPER JAMMED" "OPEN TOP COVER"	<ul style="list-style-type: none"> ● A recording paper jam occurred. Remove the jammed paper (page 88).
"PC FAIL OR BUSY"	<ul style="list-style-type: none"> ● The cable or the computer mains lead is not connected correctly. Check the connections (page 17, 25). ● The software is not running on the computer. Restart the software and try again.
"PHONEBOOK FULL"	<ul style="list-style-type: none"> ● There is no space to store new items in the phonebook. Erase unnecessary items (page 43).
"PLEASE WAIT"	<ul style="list-style-type: none"> ● The unit is warming up. Wait for a while.
"POLLING ERROR"	<ul style="list-style-type: none"> ● The other party's fax machine does not offer the polling function. Check with the other party.
"REDIAL TIME OUT"	<ul style="list-style-type: none"> ● The other party's fax machine is busy or has run out of recording paper. Try again.
"REMOVE DOCUMENT"	<ul style="list-style-type: none"> ● The document is jammed. Remove the jammed document (page 93). ● Attempted to send or copy a document longer than 600 mm using the automatic document feeder. Press [Stop] to remove the document. Divide the document into two or more sheets and try again.

Display	Cause & Solution
"REMOVE PAPER IN INPUT TRAY #2"	<ul style="list-style-type: none"> ● The recording paper is installed in the manual input tray when trying to receive faxes or print reports. Remove the recording paper from manual input tray.
"REPLACE DRUM CHANGE SUPPLIES"	<ul style="list-style-type: none"> ● The drum cartridge's service life is finished. Replace the drum cartridge and the toner cartridge immediately.
"RX MEMORY FULL"	<ul style="list-style-type: none"> ● The memory is full of received documents due to a lack of recording paper or a recording paper jam. Load paper (page 14) or remove the jammed paper (page 88). ● If the PC fax (feature #442 on page 63) is set to "ALWAYS", <ul style="list-style-type: none"> – check the connection between the computer and the unit. – check that the computer is turned ON. ● If your unit is connected to the computer via the LAN and the fax preview mode (feature #448 on page 52) is set to "ON", <ul style="list-style-type: none"> – view, print or save the received fax documents, and then erase the unnecessary documents (page 52). – turn the setting to "OFF". The fax documents stored in memory will be printed automatically.
"SCANNER POSITION ERROR"	<ul style="list-style-type: none"> ● There is something wrong with the scanner position. Turn the power switch OFF, then ON. If the problem cannot be solved, contact our service personnel.
"TONER EMPTY" "CHANGE SUPPLIES"	<ul style="list-style-type: none"> ● The toner is empty. Replace the toner cartridge immediately.
"TONER LOW" "CHANGE SUPPLIES"	<ul style="list-style-type: none"> ● The toner is reaching the end of its life. You will need to replace the toner cartridge soon.
"TOP COVER OPEN"	<ul style="list-style-type: none"> ● The top cover is open. Close it.
"TRANSMIT ERROR"	<ul style="list-style-type: none"> ● A transmission error occurred. Try again.

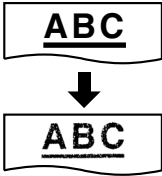
10.3 When a function does not work

10.3.1 General

Problem	Cause & Solution
The unit does not work.	<ul style="list-style-type: none"> Check the connections (page 17, 25).
The output tray becomes full quickly or the recording paper does not stack properly on the output tray.	<ul style="list-style-type: none"> High humidity may cause the recording paper to curl. Try turning the paper over and re-inserting it. If the curl on the paper is heavy, please remove it from the output tray. If you still have this problem, contact our service personnel.
I cannot adjust the volume, display items stored in the one-touch dial and phonebook or display Caller ID information (KX-MB2025/ KX-MB2030 only).	<ul style="list-style-type: none"> The unit is set to scan mode or copy mode. Press [Fax] to switch modes. If you still have this problem, contact our service personnel.
A printing error is displayed while using PC FAX (KX-MB2025/KX-MB2030 only) and Remote Control.	<ul style="list-style-type: none"> The printer driver is used for PC FAX and Remote Control. Transmission errors will be displayed as printing errors.
Multi-Function Station does not work properly.	<ul style="list-style-type: none"> If the USB cable is connected to a USB hub, connect the cable directly to the USB port on your computer. Make sure you have installed the latest Service Pack available for the version of Windows installed on your computer. See the Microsoft web site for details. If you have any other multifunction software installed on your computer, uninstall it. Check that your computer has enough memory and hard disk space. If your computer warns that there is insufficient memory, close other applications. If there is not enough space on the hard disk, delete unnecessary files. Uninstall Multi-Function Station once, and re-install it.
I cannot install or uninstall Multi-Function Station.	<ul style="list-style-type: none"> Some of the files needed to install or uninstall Multi-Function Station may be corrupted. Use the MfsCleaner utility (found on the supplied CD-ROM) to solve the problem. <ol style="list-style-type: none"> Insert the supplied CD-ROM into your CD-ROM drive. <ul style="list-style-type: none"> The setup program will start automatically. [Tools] → [Cleanup Tool] <ul style="list-style-type: none"> The [MfsCleaner] window will appear. Click [Clean], and then click [Yes] to restart the computer. <p>Note:</p> <ul style="list-style-type: none"> To install Multi-Function Station again, see page 24.
I cannot view the operating instructions using Multi-Function Station.	<ul style="list-style-type: none"> Install the operating instructions on your computer beforehand (page 25).
I cannot find the unit in the [Target Device] or [Device Select] dialogue box when operating the following functions. <ul style="list-style-type: none"> Scanning Remote Control PC FAX (KX-MB2025/ KX-MB2030 only) Device Monitor 	<ul style="list-style-type: none"> The printer driver has not been installed. Install it on your computer (page 24).

Problem	Cause & Solution
I forgot the password for feature programming via remote operation.	<ul style="list-style-type: none"> You may have changed the feature programming password. If you do not remember it, assign a new password using feature #155 (page 56). When required to enter the current password, enter "0101" instead.

10.3.2 Printing problems

Problem	Cause & Solution
<p>The printing quality is poor (e.g. has smudges, blurred points or lines).</p> 	<ul style="list-style-type: none"> Some paper has instructions recommending which side to print on. Try turning the recording paper over. You may have used paper with a cotton and/or fibre content that is over 20 %, such as letterhead or resume paper. The recording paper is too damp. Use new paper.
I changed the recording paper, but the printing quality is still poor.	<ul style="list-style-type: none"> The glass or rollers are dirty with correction fluid, etc. Clean them (page 95, 98). Please do not insert a document before correction fluid has dried completely. The toner save mode of feature #482 is ON (page 59). The remaining toner is low. Replace the toner cartridge. To check the drum life and quality, please print the printer test list (page 99). If printing quality is still poor, replace the toner cartridge and drum cartridge.
A blank sheet is ejected.	<ul style="list-style-type: none"> You placed the document facing the wrong way when using the copier. The other party placed the document in their fax machine the wrong way. Check with the other party (KX-MB2025/KX-MB2030 only).
Coloured and grey objects are printed in black instead of greyscale when printing from Microsoft PowerPoint or other applications.	<ul style="list-style-type: none"> Select [Color] or remove the check next to [Grayscale] in the print dialogue so that coloured or grey objects will be printed in greyscale properly.
When using the unit as a printer, the printing result is distorted.	<ul style="list-style-type: none"> Your unit is connected to the computer by USB. After cancelling printing using your computer, you must wait for 60 seconds before re-printing to avoid distorted printing.

10.3.3 Scanner

Problem	Cause & Solution
I cannot scan.	<ul style="list-style-type: none"> When scanning at a high resolution, a large amount of available memory is required. If your computer warns that there is insufficient memory, close other applications and try again. The unit is in use. Try again later. There is not enough space on the hard disk. Delete unnecessary files and try again. Check the connection between the computer and the unit (page 17, 25). Restart the computer, and try again. You attempted to scan a document longer than the paper size which you set. Change the setting or divide the document into the appropriate paper size, and try again.

10. Help

Problem	Cause & Solution
The document is not fed into the unit when using the unit as a scanner (KX-MB2010/KX-MB2025/KX-MB2030 only).	<ul style="list-style-type: none">Remove the document in the automatic document feeder and re-insert it.
Even after clicking [Cancel], scanning continues.	<ul style="list-style-type: none">Please wait. It may take a while for the cancel request to be accepted.
The name of the desired computer is not displayed on the unit when scanning documents from the unit (KX-MB2000/KX-MB2010/KX-MB2030, LAN connection only).	<ul style="list-style-type: none">The printer driver has not been installed. Install it on your computer (page 24).The PC name list up feature has been set to [Off]. Set [PC name list up on device] to [On] (page 27).The maximum number of computers on the LAN is connected to the unit (up to 30 computers). Set [PC name list up on device] to [Off] on the other computers (page 27).The IP address of the unit may have changed. To detect the IP address, proceed as follows. [Start] → [All Programs] or [Programs] → [Panasonic] → the unit's name → [IP Address Checker]<ul style="list-style-type: none">The IP address for the unit will be detected.

10.3.4 Copier

Problem	Cause & Solution
The unit will not make a copy.	<ul style="list-style-type: none">You cannot make a copy during programming. Make the copy after programming.The document was not fed into the unit properly. Re-insert the document.Recording paper is not loaded or the unit has run out of paper. Load paper (page 14).
Letters on the copied documents are not clear.	<ul style="list-style-type: none">The original document is too dark or too light. Change the contrast (page 34) and try again.
The copied documents are too dark and cannot be read.	<ul style="list-style-type: none">You used a coloured paper as a document. Change the contrast (page 34) and make a lighter copy of the document, using "TEXT" resolution (page 34).

10.3.5 Fax (KX-MB2025/KX-MB2030 only)

Problem	Cause & Solution
I cannot send documents.	<ul style="list-style-type: none">The telephone line cord is connected to the [EXT] socket on the unit. Connect to the [LINE] socket (page 17).The other party's fax machine is busy or has run out of recording paper. Try again.The other party's machine is not a fax machine. Check with the other party.The other party's fax machine failed to answer the fax automatically. Send the fax manually (page 41).Set the maximum fax speed to "14.4Kbps" (feature #418 on page 61).
I cannot send a fax overseas.	<ul style="list-style-type: none">Use the overseas transmission mode (feature #411 on page 60).Add two pauses at the end of the telephone number or dial manually.
The other party complains that letters on their received document are distorted.	<ul style="list-style-type: none">If your line has special telephone services such as call waiting, the service may have been activated during fax transmission. Connect the unit to a line that does not have these services.Another telephone on the same line is off the hook. Hang up the extension telephone and try again.

Problem	Cause & Solution
The other party complains about the quality of their received documents.	<ul style="list-style-type: none"> ● Try copying the document. If the copied image is clear, there may be something wrong with the other party's machine. If the copied image is not clear, too dark, or black and white lines or smudges appear, refer to "10.3.2 Printing problems", page 81. ● The original document is too dark or too light. Change the contrast (page 41) and try again.
The other party complains that received documents are too dark and cannot be read.	<ul style="list-style-type: none"> ● You used a coloured paper as a document. Change the contrast (page 34) and make a lighter copy of the document, using "TEXT" resolution (page 34), and try again.
I cannot receive documents.	<ul style="list-style-type: none"> ● The telephone line cord is connected to the [EXT] socket on the unit. Connect to the [LINE] socket (page 17). ● The PC fax setting (feature #442 on page 63) is activated and the received fax documents are automatically transferred to the computer. View the received documents using the computer (page 51). ● If your unit is connected to the computer via the LAN and the fax preview mode (feature #448 on page 52) is activated, the received fax documents are automatically stored in memory. View the received documents on the web browser (page 52). ● Set the maximum fax speed to "14.4Kbps" (feature #418 on page 61). ● Recording paper is installed in the manual input tray. Remove the recording paper from the manual input tray.
I cannot receive documents automatically.	<ul style="list-style-type: none"> ● The receiving mode is set to TEL mode. Set to FAX ONLY mode (page 47) or TEL/FAX mode (page 48). ● The time taken to answer the call is too long. Decrease the number of rings before the unit answers a call (feature #210 on page 57).
The display shows "CONNECTING", but faxes are not received.	<ul style="list-style-type: none"> ● The incoming call is not a fax. Change the receiving mode to TEL mode (page 48) or TEL/FAX mode (page 47).
The printing quality of the received documents is poor.	<ul style="list-style-type: none"> ● If documents can be copied properly, the unit is working normally. The other party may have sent a faint document or there may be something wrong with the other party's machine. Ask them to send a clearer copy of the document or to check their fax machine. ● If documents can not be copied properly, refer to "10.3.2 Printing problems", page 81.
The other party complains that they cannot send a document.	<ul style="list-style-type: none"> ● The memory is full of received documents due to a lack of recording paper or a recording paper jam. Load paper (page 14) or remove the jammed paper (page 88). ● If the PC fax setting (feature #442 on page 63) is set to "ALWAYS", check the connection between the computer and the unit. ● If your unit is connected to the computer via the LAN and the fax preview mode (feature #448 on page 52) is set to "ON", view, print or save the documents, and then erase unnecessary documents (page 52). ● The unit is not in FAX ONLY mode. Press [Fax Auto Answer] repeatedly to turn ON the [Fax Auto Answer] light.
I cannot select the desired receiving mode.	<ul style="list-style-type: none"> ● If you want to set FAX ONLY mode: <ul style="list-style-type: none"> – press [Fax Auto Answer] repeatedly to turn ON the [Fax Auto Answer] light. ● If you want to set TEL mode or TEL/FAX mode: <ul style="list-style-type: none"> – select the desired mode using feature #404 (page 60), and press [Fax Auto Answer] repeatedly to turn OFF the [Fax Auto Answer] light.

10. Help

Problem	Cause & Solution
When an extension telephone is connected, I cannot receive documents by pressing [*][#][9].	<ul style="list-style-type: none">• You must set remote fax activation to ON (feature #434 on page 62) beforehand.• Press [*][#][9] firmly.• You may have changed the remote fax activation code from [*][#][9] (default setting). Verify the remote fax activation code (feature #434 on page 62).
I cannot hear a dial tone.	<ul style="list-style-type: none">• The telephone line cord is connected to the [EXT] socket on the unit. Connect to the [LINE] socket (page 17).• If you use a splitter/coupler to connect the unit, remove the splitter/coupler and connect the unit to the wall socket directly. If the unit operates properly, check the splitter/coupler.• Disconnect the unit from the telephone line and connect a known working telephone. If the working telephone operates properly, contact our service personnel to have the unit repaired. If the working telephone does not operate properly, contact your telephone company.• The mains lead or telephone line cord is not connected. Check the connections (page 17).• If you connected the unit through a computer modem, connect the unit directly to a telephone line socket.
The unit does not ring.	<ul style="list-style-type: none">• The ringer volume is turned OFF. Adjust it (page 21).
The other party complains they only hear a fax tone and cannot talk.	<ul style="list-style-type: none">• FAX ONLY mode is set (page 47). Tell the other party the number is only used for faxes.
The [Redial] or [Pause] button does not function properly.	<ul style="list-style-type: none">• If this button is pressed during dialling, a pause will be inserted. If pressed immediately after a dial tone is obtained, the last number dialled will be redialled.
I cannot receive a fax document on the computer.	<ul style="list-style-type: none">• Make sure the following features are set beforehand.<ul style="list-style-type: none">– PC fax reception (feature #442 on page 63)– Computer setting for the PC fax reception (feature #443 on page 24)
I cannot display a received fax document on the web browser (KX-MB2030 only).	<ul style="list-style-type: none">• Make sure the following features are set beforehand.<ul style="list-style-type: none">– Fax preview mode (feature #448 on page 52)– Web fax preview access code (feature #450 on page 52)• You cannot display a received fax document on the web browser during printing, copying or scanning. Try again after printing, copying or scanning.
I cannot erase a received fax document on the web browser (KX-MB2030 only).	<ul style="list-style-type: none">• View, print or save a received fax document before erasing (page 52).

10.3.6 Network (KX-MB2000/KX-MB2010/KX-MB2030, LAN connection only)

Problem	Cause & Solution												
<p>I cannot operate the following functions.</p> <ul style="list-style-type: none"> - PC printing - Scanning - Remote Control - PC FAX (KX-MB2030 only) - Device Monitor 	<ul style="list-style-type: none"> ● Confirm the LED via the LAN port of the main board. If the LED is glowing or blinking, network access is working correctly. If the LED is not glowing or blinking, confirm the LAN cable (category 5 straight cable) is connected to the LAN port of the main board correctly. ● If the LED is blinking and you cannot perform the desired operation, the IP address of the unit may have changed. To detect the IP address, proceed as follows. [Start] → [All Programs] or [Programs] → [Panasonic] → the unit's name → [IP Address Checker] <ul style="list-style-type: none"> ● The IP address for the unit will be detected. <p>Note:</p> <ul style="list-style-type: none"> ● If the IP address cannot be detected, enter it manually (feature #501 on page 69). The IP address of the computer and the unit must be in the same local IP address class as shown below. Set the IP address in the range of the number specified in the class corresponding to your local network scale. <table border="1" data-bbox="537 749 1270 991"> <thead> <tr> <th>Class</th> <th>Subnet mask</th> <th>IP address</th> </tr> </thead> <tbody> <tr> <td>Class A</td> <td>255.0.0.0</td> <td>10.0.0.1 - 10.255.255.254</td> </tr> <tr> <td>Class B</td> <td>255.255.0.0</td> <td>172.xx.0.1 - 172.xx.255.254*1</td> </tr> <tr> <td>Class C</td> <td>255.255.255.0</td> <td>192.168.xx.1 - 192.168.xx.254*2</td> </tr> </tbody> </table> <p>*1 "xx" should be the same value for the unit and for the computer, as shown in the following example. Example: 172.16.0.1 - 172.16.255.254 (The available range of "xx" is 16 - 31)</p> <p>*2 "xx" should be the same value for the unit and for the computer, as shown in the following example. Example: 192.168.0.1 - 192.168.0.254 (The available range of "xx" is 0 - 255)</p> <ul style="list-style-type: none"> ● Your firewall software is blocking the connection. Disable the firewall software or change the firewall settings to make the Multi-Function Station work properly. ● LAN features can be used when the unit and the computer are connected in same network segment only. Make sure the network is configured correctly. Consult your network administrator. 	Class	Subnet mask	IP address	Class A	255.0.0.0	10.0.0.1 - 10.255.255.254	Class B	255.255.0.0	172.xx.0.1 - 172.xx.255.254*1	Class C	255.255.255.0	192.168.xx.1 - 192.168.xx.254*2
Class	Subnet mask	IP address											
Class A	255.0.0.0	10.0.0.1 - 10.255.255.254											
Class B	255.255.0.0	172.xx.0.1 - 172.xx.255.254*1											
Class C	255.255.255.0	192.168.xx.1 - 192.168.xx.254*2											
<p>The unit does not appear in the [Select a Network Device] dialogue box when installing Multi-Function Station.</p>	<ul style="list-style-type: none"> ● Your firewall software is blocking the connection and the setup program may not list any units. Consult your network administrator and temporarily disable the firewall software. ● The unit is connected to another network segment and the setup program may not list any units. Make sure the network is configured correctly. Consult your network administrator. 												

10. Help

Problem	Cause & Solution
The [Windows Security Alert] dialogue box appears and asks if I want to block [PCCMFLPD] and I cannot operate the following functions after installing the Microsoft Windows XP Service Pack 2 or later. <ul style="list-style-type: none">– PC printing– Scanning– Remote Control– PC FAX (KX-MB2030 only)– Device Monitor	<ul style="list-style-type: none">● Click [Keep Blocking] and run the Windows Firewall Setting Tool to allow the data transmission for Multi-Function Station (page 86).

10.3.7 Using an answering machine (KX-MB2025/KX-MB2030 only)

Problem	Cause & Solution
I cannot receive documents automatically.	<ul style="list-style-type: none">● Your greeting message on the answering machine is too long. Shorten the message. Record a message less than 10 seconds long.● The answering machine rings too many times. Set to 1 or 2 rings.
I cannot receive voice messages.	<ul style="list-style-type: none">● Check if the answering machine is turned ON and connected to the unit properly (page 49).● Set the number of rings on the answering machine to 1 or 2.
I pressed the remote access code to access the answering machine remotely, but the line was disconnected.	<ul style="list-style-type: none">● The code may include “#” which is used for certain features provided by telephone companies. Change the code on the answering machine to another number which does not include “#”.
Callers complain that they cannot send a document.	<ul style="list-style-type: none">● There is no room left in the memory of your answering machine to record voice messages. See the operating instructions of the answering machine and erase unnecessary messages.● You set the answering machine to only give a greeting message.

10.3.8 If a power failure occurs

- The unit will not function.
- If any documents are stored in the memory (i.e. during copying, PC printing), they will be lost.

KX-MB2025/KX-MB2030 only:

- The unit is not designed for making emergency telephone calls when the power fails. Alternative arrangements should be made for access to emergency services.
- Fax transmission and reception will be interrupted.
- Documents during fax transmission or fax reception will be lost.
- When power is restored, a power down report will be printed out stating which fax items in the memory have been erased.

10.3.9 Firewall setting tool for Microsoft Windows XP Service Pack 2 or later/Windows Vista users (KX-MB2000/KX-MB2010/KX-MB2030, LAN connection only)

After installing Microsoft Windows XP Service Pack 2 or later/Windows Vista, you will not be able to use the following functions because the Windows Firewall feature will be activated and block the connection.

- Device Monitor
- LPD Manager (Network communication tool)

The Windows Firewall Setting Tool enables you to change the Windows Firewall security settings and to use the above functions properly.

- 1 Insert the CD-ROM that is supplied with the unit into your CD-ROM drive.
 - If the **[Select Language]** dialogue box appears, select the desired language that you want to use with this software. Click **[OK]**.
- 2 **[Tools]** → **[Windows Firewall Setting]**
 - The **[Windows Firewall Setting Tool]** window will appear.
- 3 **[Add to the exceptions list]** → **[OK]** → **[OK]**

To confirm the security settings (For Windows XP users)

1. **[Start]** → **[Control Panel]** → **[Security Center]**
 - The **[Windows Security Center]** window will appear.
2. **[Windows Firewall]**
 - The **[Windows Firewall]** dialogue box will appear.
3. Click the **[Exceptions]** tab.
4. Confirm that **[Panasonic Trap Monitor Service]** and **[Panasonic LPD]** are displayed and checked on the **[Programs and Services]** list.

To confirm the security settings (For Windows Vista users)

1. **[Start]** → **[Control Panel]** → **[Security Center]**
 - The **[Windows Security Center]** window will appear.
2. **[Windows Firewall]**
 - The **[Windows Firewall]** dialogue box will appear.
3. **[Change settings]**
 - The **[User Account Control]** dialogue box will appear.
4. **[Continue]**
5. Click the **[Exceptions]** tab.
6. Confirm that **[Panasonic Trap Monitor Service]**, **[Panasonic LPD Manager]** and **[Panasonic LPD]** are displayed and checked on the **[Program or port]** list.

10.3.10 Notice for KX-MB200/KX-MB700/KX-FLB880 series users

If you have already installed KX-MB200/KX-MB700/KX-FLB880 series Multi-Function Station on your computer, use the following instructions to modify or add the printer driver, which changes after installing the KX-MB2000 series Multi-Function Station.

You can modify or add a printer driver, as follows:

- 1 Start Windows and insert the KX-MB200/KX-MB700/KX-FLB880 series CD-ROM into your CD-ROM drive.
 - If the **[Select Language]** dialogue box appears, select the desired language that you want to use with this software. Click **[OK]**.
- 2 **[Easy installation]**
- 3 **[Modify]** → **[Next]**
- 4 Select **[Modify Utility]** or **[Add Printer Driver]**. → **[Next]**. Then follow the on-screen instructions.

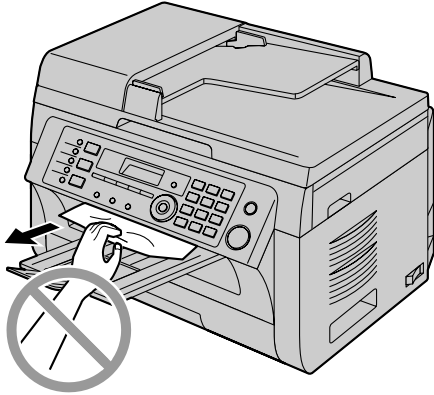
Important:

- For users of versions prior to 1.12, download the latest software as follows, then activate it. **[Start]** → **[All Programs]** or **[Programs]** → **[Panasonic]** → the unit's name → **[Support Web Page]**. Then follow the on-screen instructions.

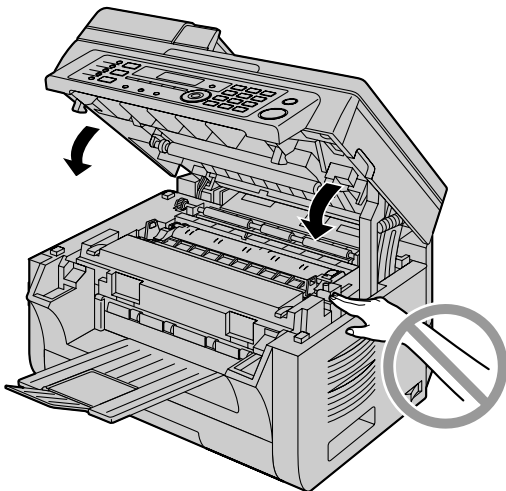
11.1 Recording paper jam

Caution:

- Do not pull out the jammed paper forcibly before opening the top cover.



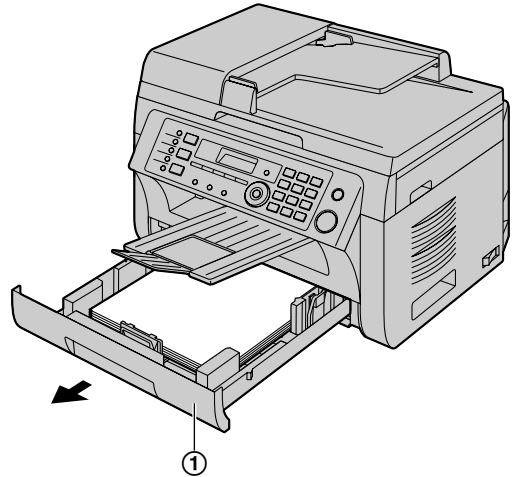
- To prevent injuries, be careful not to put your hands under the top cover.



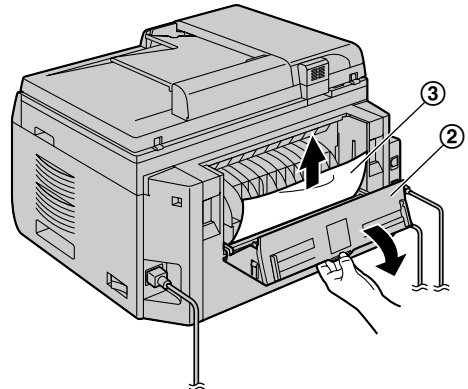
Case 1:

When the recording paper has jammed near the manual input tray:

1. Pull open the paper input tray (①).



2. Open the manual input tray (②) and remove the jammed paper (③) carefully by pulling it upwards. Then close the manual input tray.

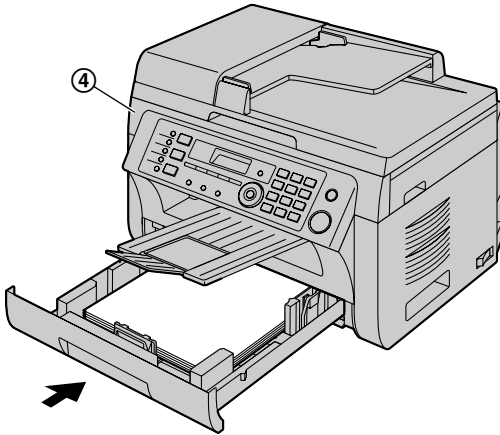


11.1.1 When the recording paper has jammed inside of the unit

The display will show the following:

- "PAPER JAMMED"
↑
"OPEN TOP COVER"
- "CHECK REAR COVER"

3. Close the paper input tray.

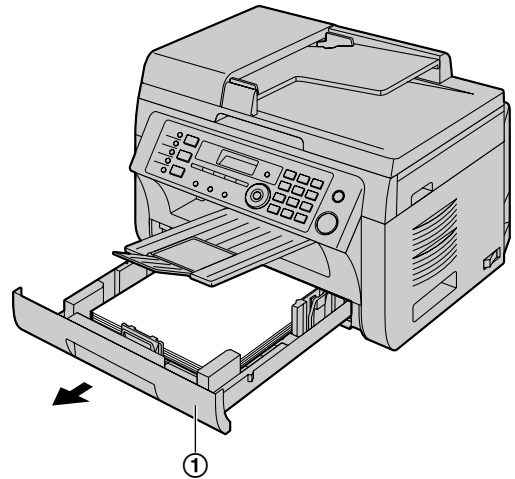


- Open and close the top cover (④) to clear the message.

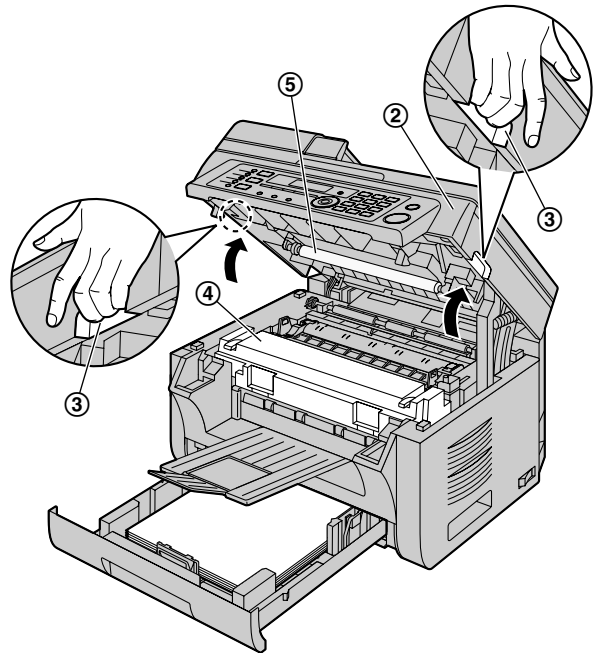
Case 2:

When the recording paper has jammed near the drum and toner cartridge:

1. Pull open the paper input tray (①).



2. Open the top cover (②) by holding the indentations (③) on both sides of the unit.



Caution:

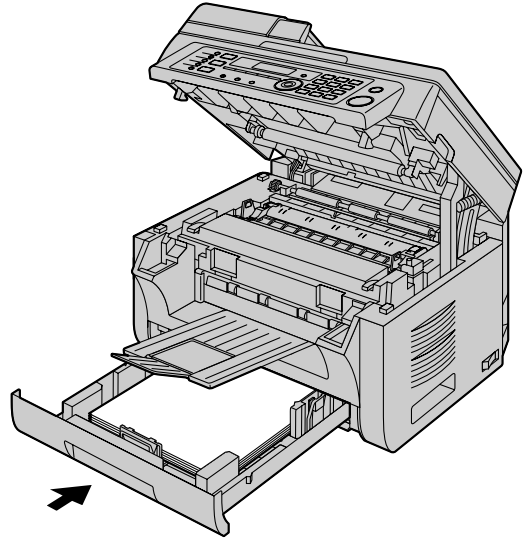
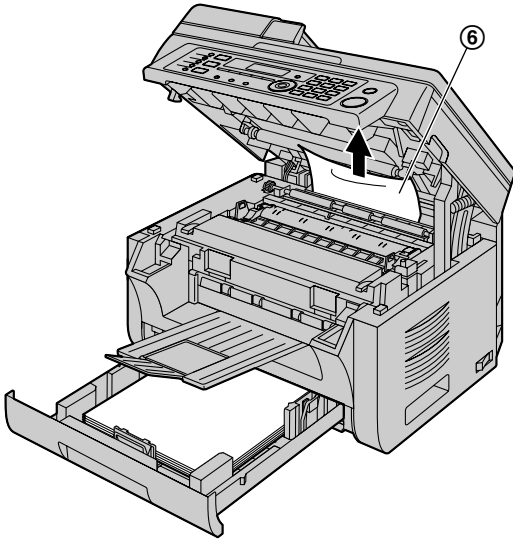
- The fuser unit (④) gets hot. Do not touch it.

Note:

- Do not touch the transfer roller (⑤).

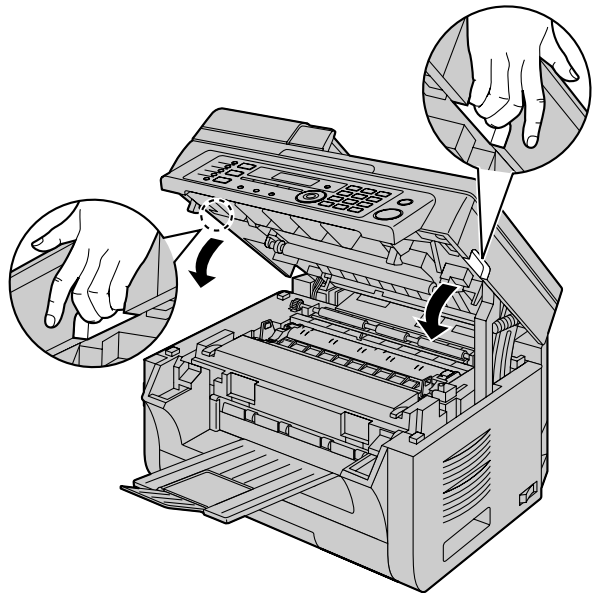
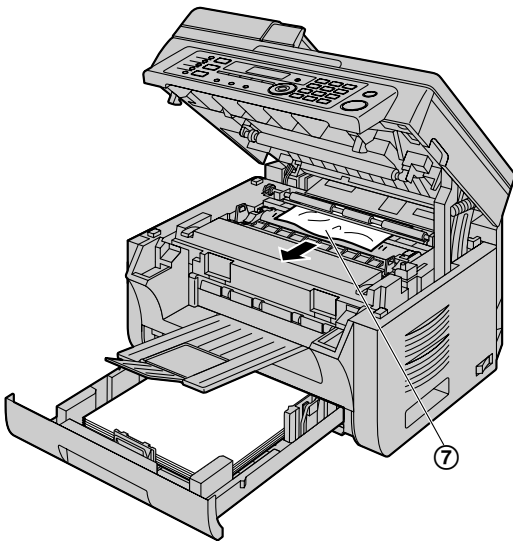
11. Paper Jams

3. Remove the jammed paper (⑥) carefully by pulling it upwards.
4. Close the paper input tray.



Remove the jammed paper (⑦) carefully by pulling it toward you.

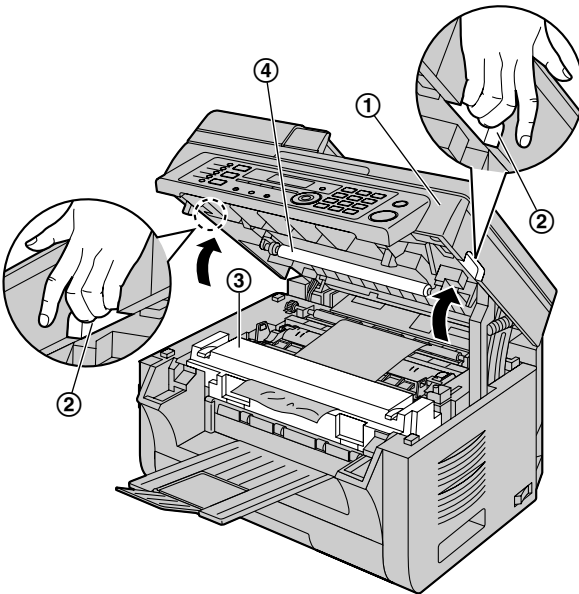
5. Close the top cover by holding the indentations on both sides of the unit, until locked.



Case 3:

When the recording paper has jammed near the fuser unit:

1. Open the top cover (①) by holding the indentations (②) on both sides of the unit.



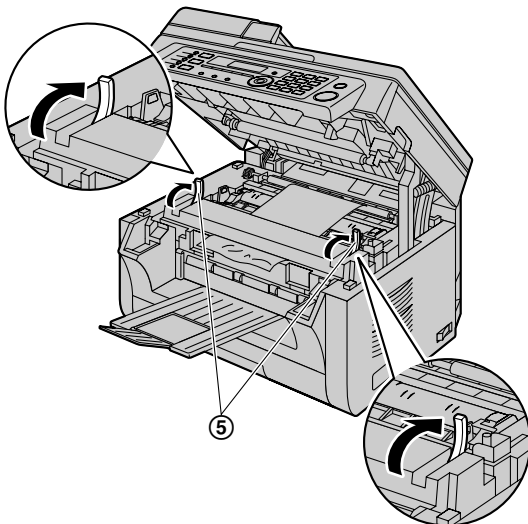
Caution:

- The fuser unit (③) gets hot. Do not touch it.

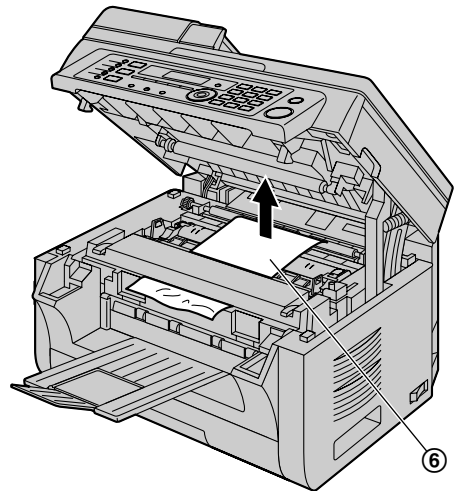
Note:

- Do not touch the transfer roller (④).

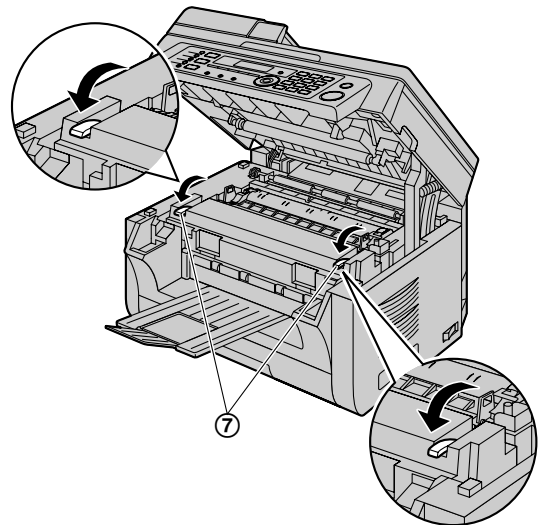
2. Lift both green levers (⑤) until they stop.



3. Remove the jammed paper (⑥) carefully by pulling it upwards.

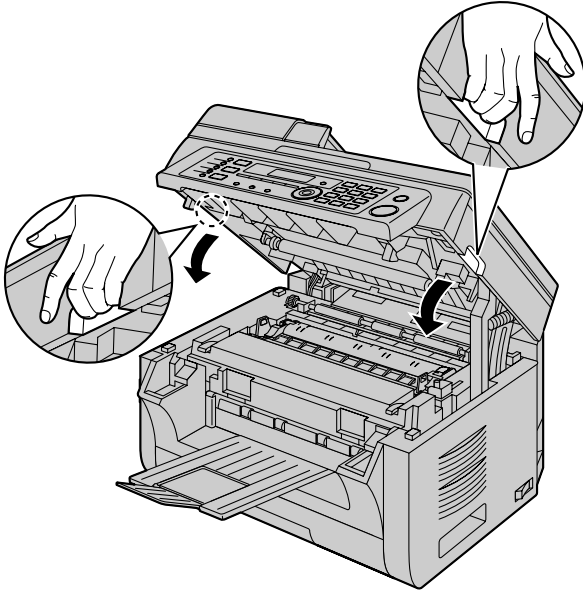


4. Push back the green levers (⑦) to the original position.



11. Paper Jams

5. Close the top cover by holding the indentations on both sides of the unit, until locked.

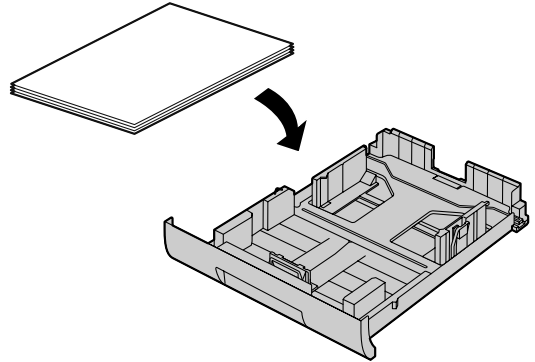


11.1.2 When the recording paper is not fed into the unit properly

The display will show the following:

- “CHECK PAPER #1 PRESS START”

- 1 Pull the paper input tray until it clicks into place, then pull it completely out, lifting the front part of the tray. Remove the recording paper and straighten.
- 2 Re-load the recording paper.



- 3 Insert the paper input tray into the unit, lifting the front part of the tray. Then push it completely into the unit.

Note:

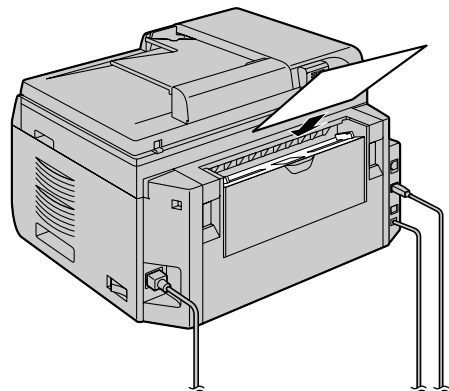
- If the message is still displayed, check the recording paper specifications and load the recording paper again. See page 14 for details.

11.1.3 When the recording paper in the manual input tray is not fed into the unit properly

The display will show the following.

- “CHECK PICK UP INPUT TRAY #2”

- 1 Remove the recording paper.
- 2 Re-insert the recording paper.



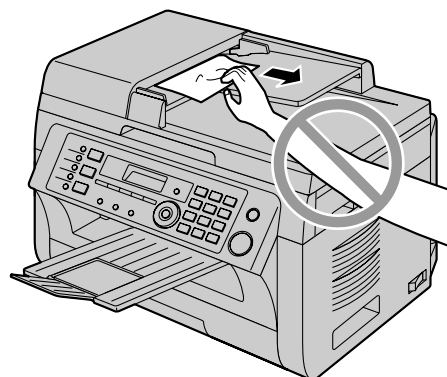
Note:

- If the message is still displayed, check the recording paper specifications and re-install recording paper. See page 15 for details.

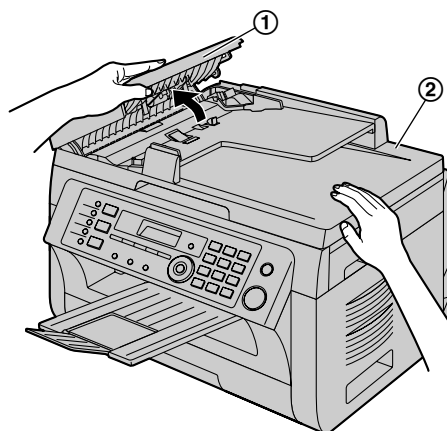
11.2 Document jams (Automatic document feeder) (KX-MB2010/KX-MB2025/KX-MB2030 only)

Caution:

- Do not pull out the jammed document forcibly before lifting the ADF cover.

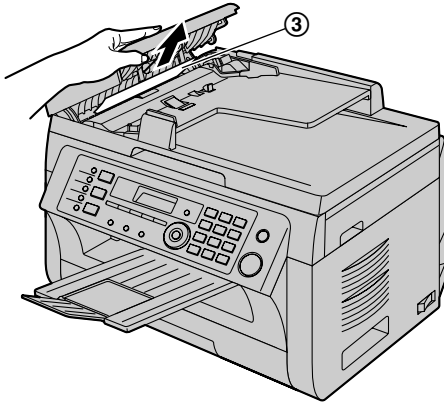


- 1 Open the ADF cover (①) while holding the document cover (②).

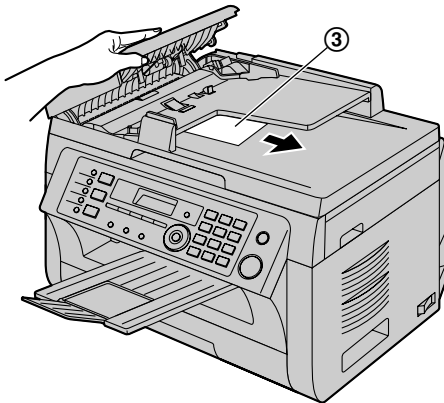


11. Paper Jams

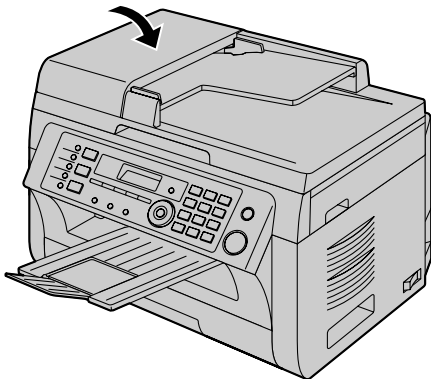
- 2 Remove the jammed document (③) carefully.
When the document has jammed near the document entrance:



When the document has jammed near the document exit:



- 3 Close the ADF cover.



12.1 Cleaning the white plates and glass

Clean the white plates and glass when a black line, a white line or a dirty pattern appears on:

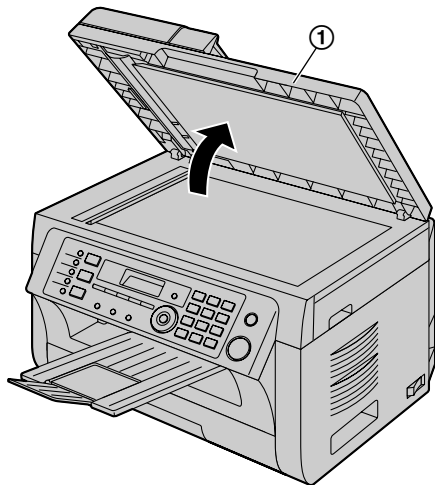
- your recording paper,
- the original document,
- the scanned data, or
- the fax document received by the other party (KX-MB2025/KX-MB2030 only).

Caution:

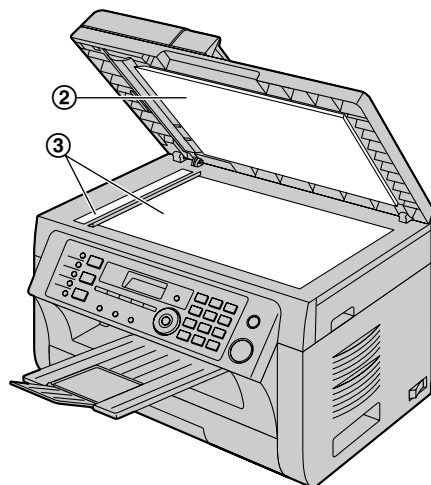
- Be careful when handling the drum and toner cartridge. See the caution for the drum cartridge on page 10 for details.
- Do not use paper products, such as paper towels or tissues for cleaning.

12.1.1 White plates and scanner glass

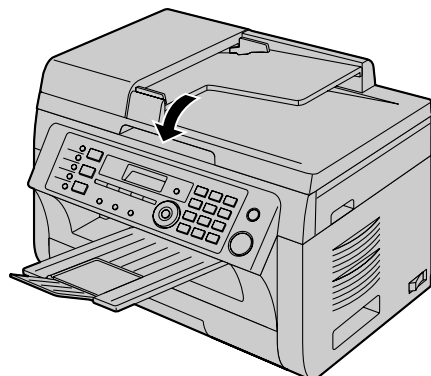
- 1 Open the document cover (①).



- 2 Hold the document cover while cleaning the white plates (②) and the scanner glass (③).



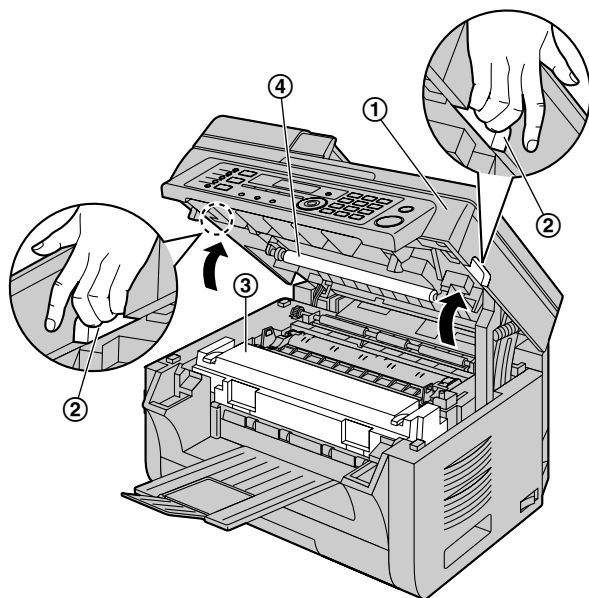
- 3 Close the document cover.



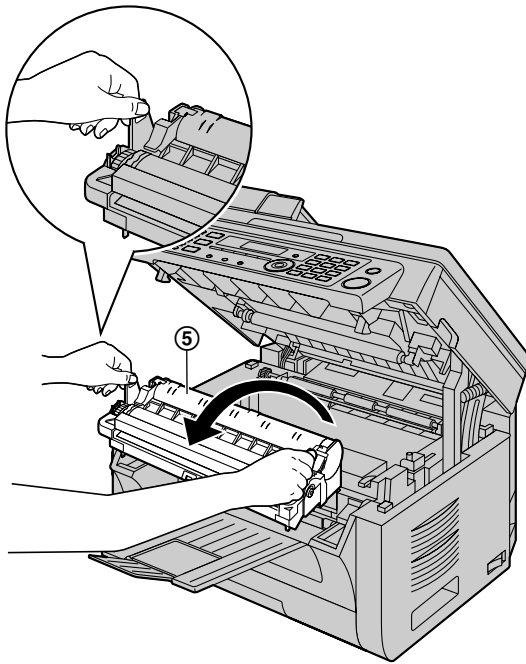
12. Cleaning

12.1.2 Lower glass

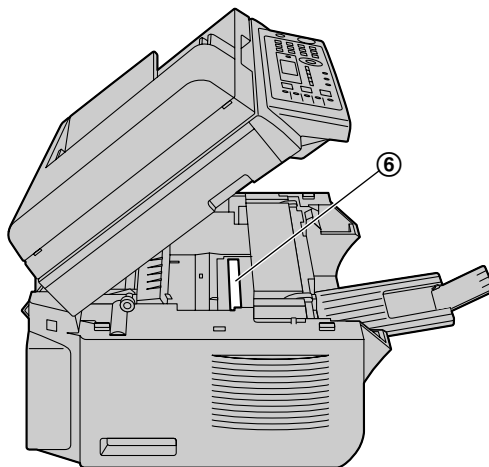
- 1 Turn the power switch OFF.
- 2 Open the top cover (1) by holding the indentations (2) on both sides of the unit.



- 3 Remove the drum and toner cartridge (5) by holding the tabs.



- 4 Clean the lower glass (6) with a soft and dry cloth.

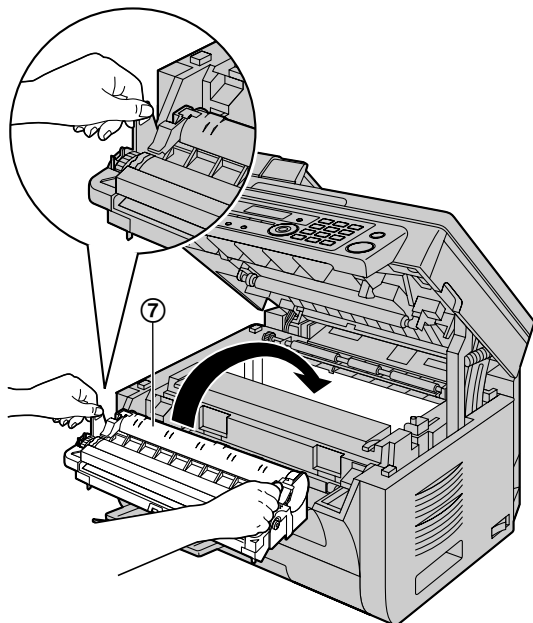


Caution:
The fuser unit (3) gets hot. Do not touch it.

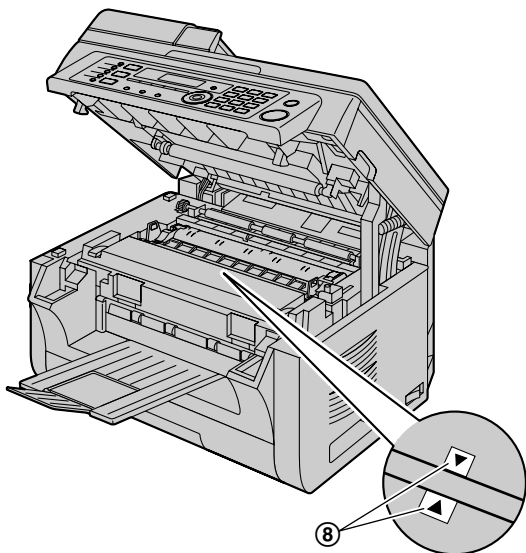
Note:

- Do not touch the transfer roller (4).

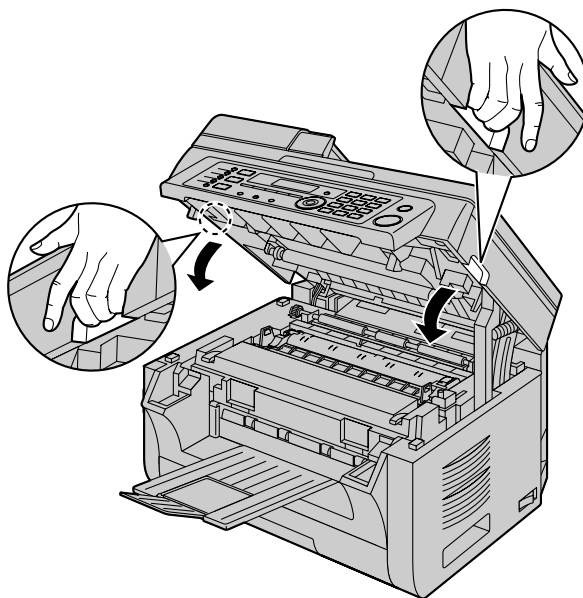
- 5 Reinstall the drum and toner cartridge (7) by holding the tabs.



- Make sure that the arrows (8) match, to install the drum and toner cartridge correctly.

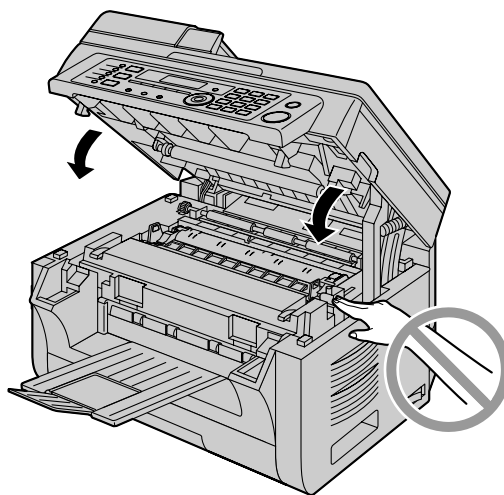


- 6 Close the top cover by holding the indentations on both sides of the unit, until locked.



Caution:

- To prevent injuries, be careful not to put your hands under the top cover.



- 7 Turn the power switch ON.

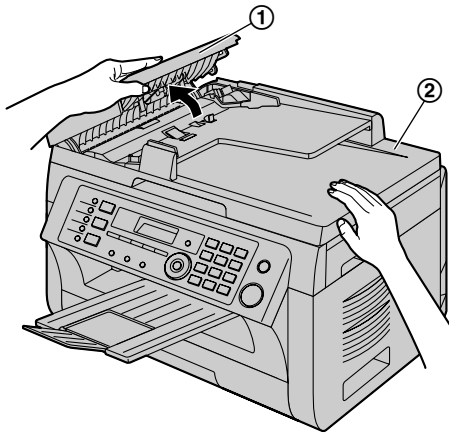
12.2 Cleaning the document feeder rollers (KX-MB2010/ KX-MB2025/KX-MB2030 only)

Clean the rollers when documents frequently misfeed.

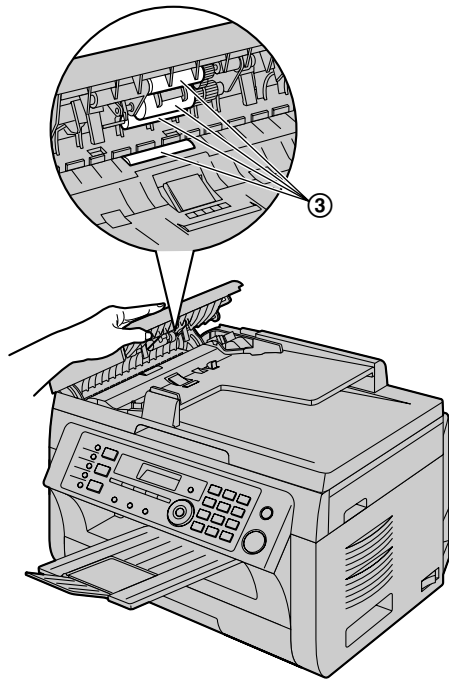
Caution:

- Do not use paper products, such as paper towels or tissues for cleaning.

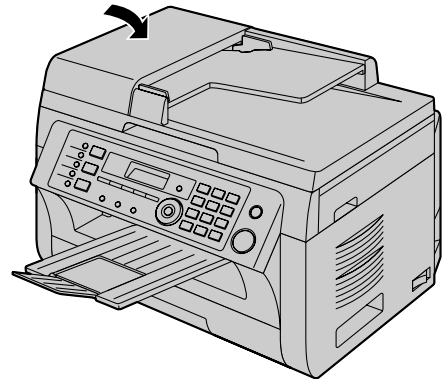
- 1 Turn the power switch OFF.
- 2 Open the ADF cover (①) while holding the document cover (②).



- 3 Clean the document feeder rollers (③) with a cloth moistened with water, and let all parts dry thoroughly.



- 4 Close the ADF cover.



- 5 Turn the power switch ON.

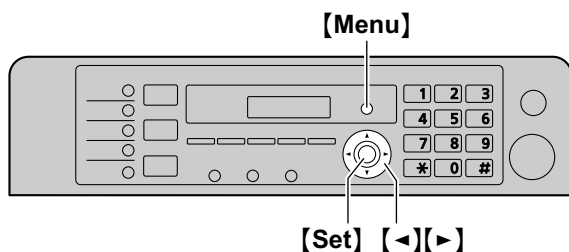
13.1 Reference lists and reports

You can print out the following lists and reports for your reference.

- "SETUP LIST"
- "TEL NO. LIST"*¹
- "JOURNAL REPORT"*¹
- "BROADCAST LIST"*¹
- "PRINTER TEST"
- "CALLER ID LIST"*¹
- "ADDRESS LIST"*²
- "FTP SERVER LIST"*²
- "SMB FOLDER LIST"*²

*¹ KX-MB2025/KX-MB2030 only

*² KX-MB2000/KX-MB2010/KX-MB2030 only



- 1 Press **[Menu]** repeatedly to display "PRINT REPORT".
- 2 Press **[<-]** or **[>-]** repeatedly to display the desired item.
- 3 Press **[Set]** to start printing. → **[Menu]**

13.2 Specifications

■ Applicable lines*¹:

Public Switched Telephone Network

■ Document size:

Max. 216 mm in width, Max. 600 mm in length

■ Effective scanning width:

208 mm

■ Effective printing width:

Letter/Legal: 208 mm

A4: 202 mm

■ Transmission time*¹*³:

Approx. 4 s/page (ECM-MMR Memory transmission)*⁴

■ Scanning density:

Scanning resolution:

Up to 600 × 1,200 dpi (Optical)

Up to 9,600 × 9,600 dpi (Interpolated)

Copy resolution:

Up to 600 × 600 dpi

Fax resolution*¹:

Horizontal: 8 pels/mm

Vertical: 3.85 lines/mm -in standard resolution,

7.7 lines/mm -in fine/photo resolution,

15.4 lines/mm -in super fine resolution

■ Photo resolution:

64-level

■ Scanner type:

Colour Contact Image Sensor

■ Printer type:

Laser Printer

■ Data compression system*¹:

Modified Huffman (MH), Modified READ (MR),
Modified Modified READ (MMR)

■ Modem speed*¹:

33,600 / 31,200 / 28,800 / 26,400 / 24,000 / 21,600 /
19,200 / 16,800 / 14,400 / 12,000 / 9,600 / 7,200 /
4,800 / 2,400 bps; Automatic Fallback

■ Operating environment:

10 °C – 32.5 °C, 20 % – 70 % RH (Relative Humidity)

■ Dimensions:

KX-MB2000: Approx. width 420 mm × depth 432 mm
× height 255 mm

KX-MB2010/KX-MB2025/KX-MB2030: Approx. width
420 mm × depth 432 mm × height 305 mm

■ Mass (Weight):

KX-MB2000: Approx. 11 kg

KX-MB2010/KX-MB2025/KX-MB2030: Approx. 12 kg

13. General Information

■ Power consumption:

Standby: Approx. 5.5 W
Preheat: Approx. 65 W
Copy: Approx. 500 W
Maximum: Approx. 1,000 W (When the fuser lamp turns on)

■ Power supply:

220–240 V AC, 50 Hz

■ Memory capacity

(for operation and storing memory):

32 MB

■ Fax memory capacity*1:

3.5 MB in total
Approx. 110 pages of memory reception
Approx. 150 pages of memory transmission
(Based on the ITU-T No. 1 Test Chart in standard resolution, without using the Error Correction Mode.)

■ Scan to email address memory capacity*2:

5 MB in total (including the header and email message)

■ Scan to FTP server memory capacity*2:

5 MB in total

■ Scan to SMB folder memory capacity*2:

5 MB in total

■ Laser diode properties:

Laser output: Max. 15 mW
Wavelength: 760 nm – 800 nm
Emission duration: Continuous

■ Print speed:

Approx. 24 ppm (pages per minute)

■ Printing resolution:

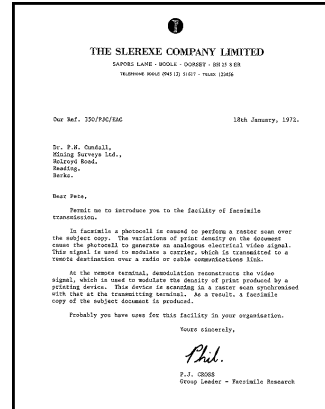
600 × 600 dpi

■ LED light of CIS properties:

LED radiation output: Max. 1 mW
Wavelength: Red 630 nm typ.
Green 520 nm typ.
Blue 465 nm typ.

Emission duration: Continuous

ITU-T No.1 Test Chart



Note:

- Design and specifications are subject to change without notice.
- The pictures and illustrations in these instructions may vary slightly from the actual product.
- The accuracy of the clock is approximately ± 60 seconds a month.

Recording paper specifications

Plain paper/Thin paper size:

A4: 210 mm × 297 mm
Letter: 216 mm × 279 mm
Legal: 216 mm × 356 mm*1
B5(JIS): 182 mm × 257 mm
B5(ISO): 176 mm × 250 mm
16K: 195 mm × 270 mm
216 × 330: 216 mm × 330 mm*1
216 × 340: 216 mm × 340 mm*1

Label size:

A4: 210 mm × 297 mm
Letter: 216 mm × 279 mm

Recording paper weight:

64 g/m² to 90 g/m²

*1 Manual input tray only

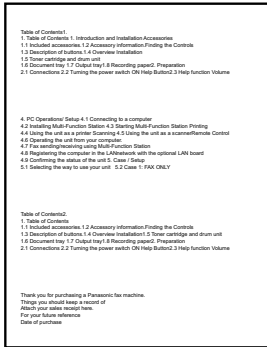
- *1 KX-MB2025/KX-MB2030 only
- *2 KX-MB2000/KX-MB2010/KX-MB2030 only
- *3 Transmission speed depends on the contents of the pages, resolution, telephone line conditions and capability of the other party's machine.
- *4 Transmission speed is based on the ITU-T No. 1 Test Chart with original mode. If the capability of the other party's machine is inferior to your unit, the transmission time may be longer.

Toner life

Toner cartridge life depends on the amount of content in a printed document. Toner cartridge life varies in actual usage. The following is the approximate number of pages that the toner cartridge can print according to the various printing examples.

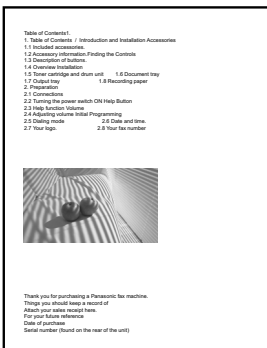
Example 1

Approx. 2,000 pages can be printed.



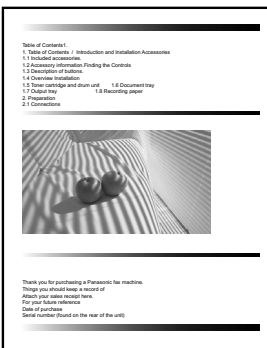
Example 2

Approx. 1,000 pages can be printed.



Example 3

Approx. 650 pages can be printed.



Note:

- There are various factors that determine the actual toner cartridge life, such as temperature, humidity, type of paper and how much toner you use for the number of pages per print job. The actual number of

pages your toner cartridge will print may be significantly less than this estimate if your unit is often used for printing small number of pages per job. Because many of the factors that determine the actual toner cartridge life cannot be controlled, we cannot guarantee a minimum number of pages that will be printed by your toner cartridge.

- The number of pages changes with the depth, thickness and size of the characters.
- If you turn on the toner save feature, the toner cartridge will last approx. 20 % longer.

Drum life

The drum cartridge needs to be replaced regularly. The maximum drum life is approx. 6,000 pages.

Note:

- There are various factors that determine the actual drum cartridge life, such as temperature, humidity, type of paper and how much toner you use for the number of pages per print job. The actual number of pages your drum cartridge will print may be significantly less than this estimate if your unit is often used for printing small number of pages per job. Because many of the factors that determine the actual drum cartridge life cannot be controlled, we cannot guarantee a minimum number of pages that will be printed by your drum cartridge.

Waste disposal method

Waste material should be disposed of under conditions which meet all national and local environmental regulations.

13.3 Information of copyrights and licences (KX-MB2000/KX-MB2010/KX-MB2030 only)

- This product uses a part of NetBSD kernel.
The use of a part of NetBSD kernel is based on the typical BSD style licence below.

Copyright (c)

The Regents of the University of California. All rights reserved.

Redistribution and use in source and binary forms, with or without modification, are permitted provided that the following conditions are met:

1. Redistributions of source code must retain the above copyright notice, this list of conditions and the following disclaimer.
2. Redistributions in binary form must reproduce the above copyright notice, this list of conditions and the following disclaimer in the documentation and/or other materials provided with the distribution.
3. All advertising materials mentioning features or use of this software must display the following acknowledgement:
This product includes software developed by the University of California, Berkeley and its contributors.
4. Neither the name of the University nor the names of its contributors may be used to endorse or promote products derived from this software without specific prior written permission.

THIS SOFTWARE IS PROVIDED BY THE REGENTS AND CONTRIBUTORS "AS IS" AND ANY EXPRESS OR IMPLIED WARRANTIES, INCLUDING, BUT NOT LIMITED TO, THE IMPLIED WARRANTIES OF MERCHANTABILITY AND FITNESS FOR A PARTICULAR PURPOSE ARE DISCLAIMED. IN NO EVENT SHALL THE REGENTS OR CONTRIBUTORS BE LIABLE FOR ANY DIRECT, INDIRECT, INCIDENTAL, SPECIAL, EXEMPLARY, OR CONSEQUENTIAL DAMAGES (INCLUDING, BUT NOT LIMITED TO, PROCUREMENT OF SUBSTITUTE GOODS OR SERVICES; LOSS OF USE, DATA, OR PROFITS; OR BUSINESS INTERRUPTION) HOWEVER CAUSED AND ON ANY THEORY OF LIABILITY, WHETHER IN CONTRACT, STRICT LIABILITY, OR TORT (INCLUDING NEGLIGENCE OR OTHERWISE) ARISING IN ANY WAY OUT OF THE USE OF THIS SOFTWARE, EVEN IF ADVISED OF THE POSSIBILITY OF SUCH DAMAGE.

However, parts of the NetBSD Kernel are provided with the following copyright notices.

Copyright (c) 1980, 1983, 1988, 1993 The Regents of the University of California. All rights reserved.

Copyright (c) 1980, 1986, 1989, 1993 The Regents of the University of California. All rights reserved.

Copyright (c) 1980, 1986, 1991, 1993 The Regents of the University of California. All rights reserved.

Copyright (c) 1980, 1986, 1993 The Regents of the University of California. All rights reserved.

Copyright (c) 1982, 1985, 1986, 1988, 1993, 1994 The Regents of the University of California. All rights reserved.

Copyright (c) 1982, 1986, 1988, 1990, 1993 The Regents of the University of California. All rights reserved.

Copyright (c) 1982, 1986, 1988, 1990, 1993, 1994, 1995 The Regents of the University of California. All rights reserved.

Copyright (c) 1982, 1986, 1988, 1990, 1993, 1995 The Regents of the University of California. All rights reserved.

Copyright (c) 1982, 1986, 1988, 1991, 1993 The Regents of the University of California. All rights reserved.

Copyright (c) 1982, 1986, 1988, 1993 The Regents of the University of California. All rights reserved.

Copyright (c) 1982, 1986, 1988, 1993, 1995 The Regents of the University of California. All rights reserved.

Copyright (c) 1982, 1986, 1989, 1991, 1993 The Regents of the University of California. All rights reserved.

Copyright (c) 1982, 1986, 1989, 1993 The Regents of the University of California. All rights reserved.

Copyright (c) 1982, 1986, 1990, 1991, 1993 The Regents of the University of California. All rights reserved.

Copyright (c) 1982, 1986, 1990, 1993 The Regents of the University of California. All rights reserved.

Copyright (c) 1982, 1986, 1990, 1993, 1994 The Regents of the University of California. All rights reserved.

Copyright (c) 1982, 1986, 1991, 1993 The Regents of the University of California. All rights reserved.

Copyright (c) 1982, 1986, 1991, 1993, 1994 The Regents of the University of California. All rights reserved.

Copyright (c) 1982, 1986, 1991, 1993, 1995 The Regents of the University of California. All rights reserved.

Copyright (c) 1982, 1986, 1993 The Regents of the University of California. All rights reserved.

Copyright (c) 1982, 1986, 1993, 1994 The Regents of the University of California. All rights reserved.

Copyright (c) 1982, 1986, 1993, 1994, 1995 The Regents of the University of California. All rights reserved.

Copyright (c) 1982, 1986, 1993, 1995 The Regents of the University of California. All rights reserved.

Copyright (c) 1982, 1988, 1991, 1993 The Regents of the University of California. All rights reserved.

Copyright (c) 1983, 1990, 1993 The Regents of the University of California. All rights reserved.

Copyright (c) 1983, 1993 The Regents of the University of California. All rights reserved.

Copyright (c) 1985, 1986, 1993 The Regents of the University of California. All rights reserved.

Copyright (c) 1985, 1986, 1993 The Regents of the University of California. All rights reserved.

Copyright (c) 1986, 1989, 1991, 1993 The Regents of the University of California. All rights reserved.

Copyright (c) 1986, 1993 The Regents of the University of California. All rights reserved.

Copyright (c) 1987, 1991, 1993 The Regents of the University of California. All rights reserved.

Copyright (c) 1987, 1993 The Regents of the University of California. All rights reserved.

Copyright (c) 1987, 1993 The Regents of the University of California. All rights reserved.

Copyright (c) 1988 Regents of the University of California. All rights reserved

Copyright (c) 1988 Stephen Deering.

Copyright (c) 1988 University of Utah.

Copyright (c) 1988, 1989, 1993 The Regents of the University of California. All rights reserved.

Copyright (c) 1988, 1991, 1993 The Regents of the University of California. All rights reserved.

Copyright (c) 1988, 1992, 1993 The Regents of the University of California. All rights reserved.

Copyright (c) 1988, 1993 The Regents of the University of California. All rights reserved.

Copyright (c) 1989 The Regents of the University of California. All rights reserved.

Copyright (c) 1989, 1991, 1993 The Regents of the University of California. All rights reserved.

Copyright (c) 1989, 1993 The Regents of the University of California. All rights reserved.

Copyright (c) 1989, 1993, 1994 The Regents of the University of California. All rights reserved.

Copyright (c) 1990, 1991, 1993 The Regents of the University of California. All rights reserved.

Copyright (c) 1990, 1993 The Regents of the University of California. All rights reserved.

Copyright (c) 1991, 1993 The Regents of the University of California. All rights reserved.

Copyright (c) 1991, 1993, 1994 The Regents of the University of California. All rights reserved.

Copyright (c) 1992 Regents of the University of California. All rights reserved.

Copyright (c) 1992, 1993 The Regents of the University of California. All rights reserved.

Copyright (c) 1993 The Regents of the University of California. All rights reserved.

Copyright (c) 1993 Adam Glass

Copyright (C) 1993 by Sun Microsystems, Inc. All rights reserved.

Copyright (c) 1994 Gordon W. Ross

Copyright (c) 1994 Winning Strategies, Inc. All rights reserved.

Copyright (c) 1995 The Regents of the University of California. All rights reserved.

Copyright (C) 1995, 1996, 1997, and 1998 WIDE Project. All rights reserved.

Copyright (c) 1996 The Regents of the University of California. All rights reserved.

Copyright (c) 1996 John S. Dyson All rights reserved.

Copyright (c) 1996 Matt Thomas. All rights reserved.

Copyright (c) 1996 Matthew R. Green. All rights reserved.

Copyright (c) 1996 Paul Kranenburg

Copyright (c) 1996, 1997, 1999, 2001 The NetBSD Foundation, Inc. All rights reserved.

Copyright (c) 1996, 2000 Christopher G. Demetriou. All rights reserved.

13. General Information

Copyright (c) 1996,1999 by Internet Software Consortium.
Copyright (c) 1996-1999 by Internet Software Consortium.
Copyright (c) 1997 Jonathan Stone and Jason R. Thorpe. All rights reserved.
Copyright (c) 1997 Christos Zoulas. All rights reserved.
Copyright (c) 1997 Manuel Bouyer. All rights reserved.
Copyright (c) 1997, 1998 The NetBSD Foundation, Inc. All rights reserved.
Copyright (c) 1997, 1998, 1999, 2000 The NetBSD Foundation, Inc. All rights reserved.
Copyright (c) 1997, 1998, 1999, 2001 The NetBSD Foundation, Inc. All rights reserved.
Copyright (c) 1997, 1998, 1999, 2002 The NetBSD Foundation, Inc. All rights reserved.
Copyright (c) 1997, 1998, 2000, 2001 The NetBSD Foundation, Inc. All rights reserved.
Copyright (c) 1997, 1998, 2001 The NetBSD Foundation, Inc. All rights reserved.
Copyright (c) 1997,98 The NetBSD Foundation, Inc. All rights reserved.
Copyright (C) 1997-2000 Sony Computer Science Laboratories Inc. All rights reserved.
Copyright (c) 1997-2002 The NetBSD Foundation, Inc. All rights reserved.
Copyright (c) 1998 The NetBSD Foundation, Inc. All rights reserved.
Copyright (c) 1998 Todd C. Miller <Todd.Miller@courtesan.com> All rights reserved.
Copyright (c) 1998, 1999 The NetBSD Foundation, Inc. All rights reserved.
Copyright (c) 1998, 1999, 2000 The NetBSD Foundation, Inc. All rights reserved.
Copyright (c) 1998, 1999, 2000, 2001 The NetBSD Foundation, Inc. All rights reserved.
Copyright (c) 1998, 2000 The NetBSD Foundation, Inc. All rights reserved.
Copyright (c) 1998, 2000, 2001 The NetBSD Foundation, Inc. All rights reserved.
Copyright (c) 1999 The NetBSD Foundation, Inc. All rights reserved.
Copyright (C) 1999 WIDE Project. All rights reserved.
Copyright (c) 1999, 2000 Jason L. Wright (jason@thought.net) All rights reserved.
Copyright (c) 1999, 2000 The NetBSD Foundation, Inc. All rights reserved.
Copyright (c) 1999, 2000, 2001 The NetBSD Foundation, Inc. All rights reserved.
Copyright (c) 1999, 2001 The NetBSD Foundation, Inc. All rights reserved.
Copyright (c) 2000 The NetBSD Foundation, Inc. All rights reserved.
Copyright (c) 2000, 2001 The NetBSD Foundation, Inc. All rights reserved.
Copyright (c) 2000, 2001, 2002 The NetBSD Foundation, Inc. All rights reserved.
Copyright (c) 2001 The NetBSD Foundation, Inc. All rights reserved.
Copyright (c) 2002 The NetBSD Foundation, Inc. All rights reserved.
Copyright 1998 Massachusetts Institute of Technology. All rights reserved.
Copyright 2001 Wasabi Systems, Inc. All rights reserved.
Portions Copyright (c) 1993 by Digital Equipment Corporation.
Portions Copyright (c) 1995 by International Business Machines, Inc.
Copyright (c) 1983, 1989 The Regents of the University of California. All rights reserved.
Copyright (c) 1996 by Internet Software Consortium. All rights reserved.
Copyright (c) 1980, 1986, 1989 Regents of the University of California. All rights reserved.
Copyright (c) 1988 The Regents of the University of California. All rights reserved.
Copyright (c) 1992, 1993 The Regents of the University of California. All rights reserved.
Copyright (c) 1994 Christopher G. Demetriou. All rights reserved.
Copyright (c) 1997 The NetBSD Foundation, Inc. All rights reserved.
Copyright (c) 1999 The NetBSD Foundation, Inc. All rights reserved.
Copyright (c) 2001 The NetBSD Foundation, Inc. All rights reserved.
Copyright (c) 1996 Gardner Buchanan <gbuchanan@shl.com> All rights reserved.

Parts of the NetBSD Kernel are provided with the licences that are slightly different from the above Berkeley-formed licence. Please refer the source code of the NetBSD Kernel about the details.

The source code of the NetBSD Kernel is provided by the NetBSD CVS Repositories

(<http://cvsweb.netbsd.org/bsdweb.cgi/>), and this product includes parts of the source code in the following directories.

<http://cvsweb.netbsd.org/bsdweb.cgi/src/sys/kern/>

<http://cvsweb.netbsd.org/bsdweb.cgi/src/sys/net/>

<http://cvsweb.netbsd.org/bsdweb.cgi/src/sys/netinet/>

- This product contains Net-SNMP software and is using it based on the following licence conditions.

---- Part 1: CMU/UCD copyright notice: (BSD like) ----

Copyright 1989, 1991, 1992 by Carnegie Mellon University

Derivative Work - 1996, 1998-2000

Copyright 1996, 1998-2000 The Regents of the University of California

All Rights Reserved

Permission to use, copy, modify and distribute this software and its documentation for any purpose and without fee is hereby granted, provided that the above copyright notice appears in all copies and that both that copyright notice and this permission notice appear in supporting documentation, and that the name of CMU and The Regents of the University of California not be used in advertising or publicity pertaining to distribution of the software without specific written permission.

CMU AND THE REGENTS OF THE UNIVERSITY OF CALIFORNIA DISCLAIM ALL WARRANTIES WITH REGARD TO THIS SOFTWARE, INCLUDING ALL IMPLIED WARRANTIES OF MERCHANTABILITY AND FITNESS. IN NO EVENT SHALL CMU OR THE REGENTS OF THE UNIVERSITY OF CALIFORNIA BE LIABLE FOR ANY SPECIAL, INDIRECT OR CONSEQUENTIAL DAMAGES OR ANY DAMAGES WHATSOEVER RESULTING FROM THE LOSS OF USE, DATA OR PROFITS, WHETHER IN AN ACTION OF CONTRACT, NEGLIGENCE OR OTHER TORTIOUS ACTION, ARISING OUT OF OR IN CONNECTION WITH THE USE OR PERFORMANCE OF THIS SOFTWARE.

---- Part 2: Networks Associates Technology, Inc copyright notice (BSD) ----

Copyright (c) 2001-2003, Networks Associates Technology, Inc
All rights reserved.

Redistribution and use in source and binary forms, with or without modification, are permitted provided that the following conditions are met:

- * Redistributions of source code must retain the above copyright notice, this list of conditions and the following disclaimer.
- * Redistributions in binary form must reproduce the above copyright notice, this list of conditions and the following disclaimer in the documentation and/or other materials provided with the distribution.
- * Neither the name of the Networks Associates Technology, Inc nor the names of its contributors may be used to endorse or promote products derived from this software without specific prior written permission.

THIS SOFTWARE IS PROVIDED BY THE COPYRIGHT HOLDERS AND CONTRIBUTORS "AS IS" AND ANY EXPRESS OR IMPLIED WARRANTIES, INCLUDING, BUT NOT LIMITED TO, THE IMPLIED WARRANTIES OF MERCHANTABILITY AND FITNESS FOR A PARTICULAR PURPOSE ARE DISCLAIMED. IN NO EVENT SHALL THE COPYRIGHT HOLDERS OR CONTRIBUTORS BE LIABLE FOR ANY DIRECT, INDIRECT, INCIDENTAL, SPECIAL, EXEMPLARY, OR CONSEQUENTIAL DAMAGES (INCLUDING, BUT NOT LIMITED TO, PROCUREMENT OF SUBSTITUTE GOODS OR SERVICES; LOSS OF USE, DATA, OR PROFITS; OR BUSINESS INTERRUPTION) HOWEVER CAUSED AND ON ANY THEORY OF LIABILITY, WHETHER IN CONTRACT, STRICT LIABILITY, OR TORT (INCLUDING NEGLIGENCE OR OTHERWISE) ARISING IN ANY WAY OUT OF THE USE OF THIS SOFTWARE, EVEN IF ADVISED OF THE POSSIBILITY OF SUCH DAMAGE.

13. General Information

---- Part 3: Cambridge Broadband Ltd. copyright notice (BSD) ----

Portions of this code are copyright (c) 2001-2003, Cambridge Broadband Ltd.
All rights reserved.

Redistribution and use in source and binary forms, with or without modification, are permitted provided that the following conditions are met:

- * Redistributions of source code must retain the above copyright notice, this list of conditions and the following disclaimer.
- * Redistributions in binary form must reproduce the above copyright notice, this list of conditions and the following disclaimer in the documentation and/or other materials provided with the distribution.
- * The name of Cambridge Broadband Ltd. may not be used to endorse or promote products derived from this software without specific prior written permission.

THIS SOFTWARE IS PROVIDED BY THE COPYRIGHT HOLDER "AS IS" AND ANY EXPRESS OR IMPLIED WARRANTIES, INCLUDING, BUT NOT LIMITED TO, THE IMPLIED WARRANTIES OF MERCHANTABILITY AND FITNESS FOR A PARTICULAR PURPOSE ARE DISCLAIMED. IN NO EVENT SHALL THE COPYRIGHT HOLDER BE LIABLE FOR ANY DIRECT, INDIRECT, INCIDENTAL, SPECIAL, EXEMPLARY, OR CONSEQUENTIAL DAMAGES (INCLUDING, BUT NOT LIMITED TO, PROCUREMENT OF SUBSTITUTE GOODS OR SERVICES; LOSS OF USE, DATA, OR PROFITS; OR BUSINESS INTERRUPTION) HOWEVER CAUSED AND ON ANY THEORY OF LIABILITY, WHETHER IN CONTRACT, STRICT LIABILITY, OR TORT (INCLUDING NEGLIGENCE OR OTHERWISE) ARISING IN ANY WAY OUT OF THE USE OF THIS SOFTWARE, EVEN IF ADVISED OF THE POSSIBILITY OF SUCH DAMAGE.

---- Part 4: Sun Microsystems, Inc. copyright notice (BSD) ----

Copyright © 2003 Sun Microsystems, Inc., 4150 Network Circle, Santa Clara,
California 95054, U.S.A. All rights reserved.

Use is subject to licence terms below.

This distribution may include materials developed by third parties.

Sun, Sun Microsystems, the Sun logo and Solaris are trademarks or registered trademarks of Sun Microsystems, Inc. in the U.S. and other countries.

Redistribution and use in source and binary forms, with or without modification, are permitted provided that the following conditions are met:

- * Redistributions of source code must retain the above copyright notice, this list of conditions and the following disclaimer.
- * Redistributions in binary form must reproduce the above copyright notice, this list of conditions and the following disclaimer in the documentation and/or other materials provided with the distribution.
- * Neither the name of the Sun Microsystems, Inc. nor the names of its contributors may be used to endorse or promote products derived from this software without specific prior written permission.

THIS SOFTWARE IS PROVIDED BY THE COPYRIGHT HOLDERS AND CONTRIBUTORS "AS IS" AND ANY EXPRESS OR IMPLIED WARRANTIES, INCLUDING, BUT NOT LIMITED TO, THE IMPLIED WARRANTIES OF MERCHANTABILITY AND FITNESS FOR A PARTICULAR PURPOSE ARE DISCLAIMED. IN NO EVENT SHALL THE COPYRIGHT HOLDERS OR CONTRIBUTORS BE LIABLE

FOR ANY DIRECT, INDIRECT, INCIDENTAL, SPECIAL, EXEMPLARY, OR CONSEQUENTIAL DAMAGES (INCLUDING, BUT NOT LIMITED TO, PROCUREMENT OF SUBSTITUTE GOODS OR SERVICES; LOSS OF USE, DATA, OR PROFITS; OR BUSINESS INTERRUPTION) HOWEVER CAUSED AND ON ANY THEORY OF LIABILITY, WHETHER IN CONTRACT, STRICT LIABILITY, OR TORT (INCLUDING NEGLIGENCE OR OTHERWISE) ARISING IN ANY WAY OUT OF THE USE OF THIS SOFTWARE, EVEN IF ADVISED OF THE POSSIBILITY OF SUCH DAMAGE.

Also this product contains software which includes following notices and licences.

/*
Copyright 1988, 1989, 1990 by Carnegie Mellon University
Copyright 1989 TGV, Incorporated

All Rights Reserved

Permission to use, copy, modify, and distribute this software and its documentation for any purpose and without fee is hereby granted, provided that the above copyright notice appear in all copies and that both that copyright notice and this permission notice appear in supporting documentation, and that the name of CMU and TGV not be used in advertising or publicity pertaining to distribution of the software without specific, written prior permission.

CMU AND TGV DISCLAIMS ALL WARRANTIES WITH REGARD TO THIS SOFTWARE, INCLUDING ALL IMPLIED WARRANTIES OF MERCHANTABILITY AND FITNESS, IN NO EVENT SHALL CMU OR TGV BE LIABLE FOR ANY SPECIAL, INDIRECT OR CONSEQUENTIAL DAMAGES OR ANY DAMAGES WHATSOEVER RESULTING FROM LOSS OF USE, DATA OR PROFITS, WHETHER IN AN ACTION OF CONTRACT, NEGLIGENCE OR OTHER TORTIOUS ACTION, ARISING OUT OF OR IN CONNECTION WITH THE USE OR PERFORMANCE OF THIS SOFTWARE.

*/

- This product contains NetBSD software and is using it based on the following licence conditions.

/*
* Copyright (c) 1990 The Regents of the University of California.
* All rights reserved.
*
* This code is derived from software contributed to Berkeley by Chris Torek.
*
* Redistribution and use in source and binary forms, with or without modification, are permitted provided
* that the following conditions are met:
* 1. Redistributions of source code must retain the above copyright notice, this list of conditions and the
* following disclaimer.
* 2. Redistributions in binary form must reproduce the above copyright notice, this list of conditions and
* the following disclaimer in the documentation and/or other materials provided with the distribution.
* 3. Neither the name of the University nor the names of its contributors may be used to endorse or
* promote products derived from this software without specific prior written permission.
*
* THIS SOFTWARE IS PROVIDED BY THE REGENTS AND CONTRIBUTORS ``AS IS'' AND ANY
* EXPRESS OR IMPLIED WARRANTIES, INCLUDING, BUT NOT LIMITED TO, THE IMPLIED
* WARRANTIES OF MERCHANTABILITY AND FITNESS FOR A PARTICULAR PURPOSE ARE
* DISCLAIMED. IN NO EVENT SHALL THE REGENTS OR CONTRIBUTORS BE LIABLE FOR ANY
* DIRECT, INDIRECT, INCIDENTAL, SPECIAL, EXEMPLARY, OR CONSEQUENTIAL DAMAGES
* (INCLUDING, BUT NOT LIMITED TO, PROCUREMENT OF SUBSTITUTE GOODS OR SERVICES;
* LOSS OF USE, DATA, OR PROFITS; OR BUSINESS INTERRUPTION) HOWEVER CAUSED AND
* ON ANY THEORY OF LIABILITY, WHETHER IN CONTRACT, STRICT LIABILITY, OR TORT
* (INCLUDING NEGLIGENCE OR OTHERWISE) ARISING IN ANY WAY OUT OF THE USE OF THIS
* SOFTWARE, EVEN IF ADVISED OF THE POSSIBILITY OF SUCH DAMAGE.
*/

13. General Information

- This product contains NetBSD software and is using it based on the following licence conditions.

```
/*
 * Copyright (c) 1989 The Regents of the University of California.
 * All rights reserved.
 *
 * This code is derived from software contributed to Berkeley by Tom Truscott.
 *
 * Redistribution and use in source and binary forms, with or without modification, are permitted provided
 * that the following conditions are met:
 * 1. Redistributions of source code must retain the above copyright notice, this list of conditions and the
 * following disclaimer.
 * 2. Redistributions in binary form must reproduce the above copyright notice, this list of conditions and
 * the following disclaimer in the documentation and/or other materials provided with the distribution.
 * 3. All advertising materials mentioning features or use of this software must display the following
 * acknowledgement:
 * This product includes software developed by the University of California, Berkeley and its
 * contributors.
 * 4. Neither the name of the University nor the names of its contributors may be used to endorse or
 * promote products derived from this software without specific prior written permission.
 *
 * THIS SOFTWARE IS PROVIDED BY THE REGENTS AND CONTRIBUTORS ``AS IS'' AND ANY
 * EXPRESS OR IMPLIED WARRANTIES, INCLUDING, BUT NOT LIMITED TO, THE IMPLIED
 * WARRANTIES OF MERCHANTABILITY AND FITNESS FOR A PARTICULAR PURPOSE ARE
 * DISCLAIMED. IN NO EVENT SHALL THE REGENTS OR CONTRIBUTORS BE LIABLE FOR ANY
 * DIRECT, INDIRECT, INCIDENTAL, SPECIAL, EXEMPLARY, OR CONSEQUENTIAL DAMAGES
 * (INCLUDING, BUT NOT LIMITED TO, PROCUREMENT OF SUBSTITUTE GOODS OR SERVICES;
 * LOSS OF USE, DATA, OR PROFITS; OR BUSINESS INTERRUPTION) HOWEVER CAUSED AND
 * ON ANY THEORY OF LIABILITY, WHETHER IN CONTRACT, STRICT LIABILITY, OR TORT
 * (INCLUDING NEGLIGENCE OR OTHERWISE) ARISING IN ANY WAY OUT OF THE USE OF THIS
 * SOFTWARE, EVEN IF ADVISED OF THE POSSIBILITY OF SUCH DAMAGE.
*/
```

- This product contains NetBSD software and is using it based on the following licence conditions.

```
/*
 * Copyright (c) 1987, 1993, 1994
 * The Regents of the University of California. All rights reserved.
 *
 * Redistribution and use in source and binary forms, with or without modification, are permitted provided
 * that the following conditions are met:
 * 1. Redistributions of source code must retain the above copyright notice, this list of conditions and the
 * following disclaimer.
 * 2. Redistributions in binary form must reproduce the above copyright notice, this list of conditions and
 * the following disclaimer in the documentation and/or other materials provided with the distribution.
 * 3. All advertising materials mentioning features or use of this software must display the following
 * acknowledgement:
 * This product includes software developed by the University of California, Berkeley and its
 * contributors.
 * 4. Neither the name of the University nor the names of its contributors may be used to endorse or
 * promote products derived from this software without specific prior written permission.
 *
 * THIS SOFTWARE IS PROVIDED BY THE REGENTS AND CONTRIBUTORS ``AS IS'' AND ANY
 * EXPRESS OR IMPLIED WARRANTIES, INCLUDING, BUT NOT LIMITED TO, THE IMPLIED
 * WARRANTIES OF MERCHANTABILITY AND FITNESS FOR A PARTICULAR PURPOSE ARE
 * DISCLAIMED. IN NO EVENT SHALL THE REGENTS OR CONTRIBUTORS BE LIABLE FOR ANY
 * DIRECT, INDIRECT, INCIDENTAL, SPECIAL, EXEMPLARY, OR CONSEQUENTIAL DAMAGES
 * (INCLUDING, BUT NOT LIMITED TO, PROCUREMENT OF SUBSTITUTE GOODS OR SERVICES;
```

* LOSS OF USE, DATA, OR PROFITS; OR BUSINESS INTERRUPTION) HOWEVER CAUSED AND
* ON ANY THEORY OF LIABILITY, WHETHER IN CONTRACT, STRICT LIABILITY, OR TORT
* (INCLUDING NEGLIGENCE OR OTHERWISE) ARISING IN ANY WAY OUT OF THE USE OF THIS
* SOFTWARE, EVEN IF ADVISED OF THE POSSIBILITY OF SUCH DAMAGE.
*/

- This product contains NetBSD software and is using it based on the following licence conditions.

/*-

* Copyright (c) 1990, 1993

* The Regents of the University of California. All rights reserved.

*

* This code is derived from software contributed to Berkeley by Chris Torek.

*

* Redistribution and use in source and binary forms, with or without modification, are permitted provided
* that the following conditions are met:

* 1. Redistributions of source code must retain the above copyright notice, this list of conditions and the
* following disclaimer.

* 2. Redistributions in binary form must reproduce the above copyright notice, this list of conditions and
* the following disclaimer in the documentation and/or other materials provided with the distribution.

* 3. Neither the name of the University nor the names of its contributors may be used to endorse or
* promote products derived from this software without specific prior written permission.

*

* THIS SOFTWARE IS PROVIDED BY THE REGENTS AND CONTRIBUTORS ``AS IS" AND ANY
* EXPRESS OR IMPLIED WARRANTIES, INCLUDING, BUT NOT LIMITED TO, THE IMPLIED
* WARRANTIES OF MERCHANTABILITY AND FITNESS FOR A PARTICULAR PURPOSE ARE
* DISCLAIMED. IN NO EVENT SHALL THE REGENTS OR CONTRIBUTORS BE LIABLE FOR ANY
* DIRECT, INDIRECT, INCIDENTAL, SPECIAL, EXEMPLARY, OR CONSEQUENTIAL DAMAGES
* (INCLUDING, BUT NOT LIMITED TO, PROCUREMENT OF SUBSTITUTE GOODS OR SERVICES;
* LOSS OF USE, DATA, OR PROFITS; OR BUSINESS INTERRUPTION) HOWEVER CAUSED AND
* ON ANY THEORY OF LIABILITY, WHETHER IN CONTRACT, STRICT LIABILITY, OR TORT
* (INCLUDING NEGLIGENCE OR OTHERWISE) ARISING IN ANY WAY OUT OF THE USE OF THIS
* SOFTWARE, EVEN IF ADVISED OF THE POSSIBILITY OF SUCH DAMAGE.
*/

- This product contains thttpd software that ACMELabs developed and is using it based on the following licence conditions.

Copyright 1995,1998,1999, 2000 by Jef Poskanzer <jef@acme.com>.

All rights reserved.

Redistribution and use in source and binary forms, with or without modification, are permitted provided
that the following conditions are met:

1. Redistributions of source code must retain the above copyright notice, this list of conditions and the
following disclaimer.

2. Redistributions in binary form must reproduce the above copyright notice, this list of conditions and
the following disclaimer in the documentation and/or other materials provided with the distribution.

THIS SOFTWARE IS PROVIDED BY THE AUTHOR AND CONTRIBUTORS ``AS IS" AND
ANY EXPRESS OR IMPLIED WARRANTIES, INCLUDING, BUT NOT LIMITED TO, THE
IMPLIED WARRANTIES OF MERCHANTABILITY AND FITNESS FOR A PARTICULAR PURPOSE
ARE DISCLAIMED. IN NO EVENT SHALL THE AUTHOR OR CONTRIBUTORS BE LIABLE
FOR ANY DIRECT, INDIRECT, INCIDENTAL, SPECIAL, EXEMPLARY, OR CONSEQUENTIAL
DAMAGES (INCLUDING, BUT NOT LIMITED TO, PROCUREMENT OF SUBSTITUTE GOODS OR
SERVICES; LOSS OF USE, DATA, OR PROFITS; OR BUSINESS INTERRUPTION) HOWEVER
CAUSED AND ON ANY THEORY OF LIABILITY, WHETHER IN CONTRACT, STRICT LIABILITY, OR
TORT (INCLUDING NEGLIGENCE OR OTHERWISE) ARISING IN ANY WAY OUT OF THE USE OF
THIS SOFTWARE, EVEN IF ADVISED OF THE POSSIBILITY OF SUCH DAMAGE.

13. General Information

- This product contains NetBSD software and is using it based on the following licence conditions.

/*-

* Copyright (c) 1990 The Regents of the University of California.

* All rights reserved.

*

* This code is derived from software contributed to Berkeley by Chris Torek.

*

* Redistribution and use in source and binary forms, with or without modification, are permitted provided that the following conditions are met:

* 1. Redistributions of source code must retain the above copyright notice, this list of conditions and the following disclaimer.

* 2. Redistributions in binary form must reproduce the above copyright notice, this list of conditions and the following disclaimer in the documentation and/or other materials provided with the distribution.

* 3. Neither the name of the University nor the names of its contributors may be used to endorse or promote products derived from this software without specific prior written permission.

*

* THIS SOFTWARE IS PROVIDED BY THE REGENTS AND CONTRIBUTORS ``AS IS'' AND ANY EXPRESS OR IMPLIED WARRANTIES, INCLUDING, BUT NOT LIMITED TO, THE IMPLIED WARRANTIES OF MERCHANTABILITY AND FITNESS FOR A PARTICULAR PURPOSE ARE DISCLAIMED. IN NO EVENT SHALL THE REGENTS OR CONTRIBUTORS BE LIABLE FOR ANY DIRECT, INDIRECT, INCIDENTAL, SPECIAL, EXEMPLARY, OR CONSEQUENTIAL DAMAGES (INCLUDING, BUT NOT LIMITED TO, PROCUREMENT OF SUBSTITUTE GOODS OR SERVICES; LOSS OF USE, DATA, OR PROFITS; OR BUSINESS INTERRUPTION) HOWEVER CAUSED AND ON ANY THEORY OF LIABILITY, WHETHER IN CONTRACT, STRICT LIABILITY, OR TORT (INCLUDING NEGLIGENCE OR OTHERWISE) ARISING IN ANY WAY OUT OF THE USE OF THIS SOFTWARE, EVEN IF ADVISED OF THE POSSIBILITY OF SUCH DAMAGE.

*/

- This product contains NetBSD software and is using it based on the following licence conditions.

/*-

* Copyright (c) 1990 The Regents of the University of California.

* All rights reserved.

*

* This code is derived from software contributed to Berkeley by Chris Torek.

*

* Redistribution and use in source and binary forms, with or without modification, are permitted provided that the following conditions are met:

* 1. Redistributions of source code must retain the above copyright notice, this list of conditions and the following disclaimer.

* 2. Redistributions in binary form must reproduce the above copyright notice, this list of conditions and the following disclaimer in the documentation and/or other materials provided with the distribution.

* 3. Neither the name of the University nor the names of its contributors may be used to endorse or promote products derived from this software without specific prior written permission.

*

* THIS SOFTWARE IS PROVIDED BY THE REGENTS AND CONTRIBUTORS ``AS IS'' AND ANY EXPRESS OR IMPLIED WARRANTIES, INCLUDING, BUT NOT LIMITED TO, THE IMPLIED WARRANTIES OF MERCHANTABILITY AND FITNESS FOR A PARTICULAR PURPOSE ARE DISCLAIMED. IN NO EVENT SHALL THE REGENTS OR CONTRIBUTORS BE LIABLE FOR ANY DIRECT, INDIRECT, INCIDENTAL, SPECIAL, EXEMPLARY, OR CONSEQUENTIAL DAMAGES (INCLUDING, BUT NOT LIMITED TO, PROCUREMENT OF SUBSTITUTE GOODS OR SERVICES; LOSS OF USE, DATA, OR PROFITS; OR BUSINESS INTERRUPTION) HOWEVER CAUSED AND ON ANY THEORY OF LIABILITY, WHETHER IN CONTRACT, STRICT LIABILITY, OR TORT (INCLUDING NEGLIGENCE OR OTHERWISE) ARISING IN ANY WAY OUT OF THE USE OF THIS SOFTWARE, EVEN IF ADVISED OF THE POSSIBILITY OF SUCH DAMAGE.

*/

- This product contains NetBSD software and is using it based on the following licence conditions.

```

/*
 * Copyright (c) 1989 The Regents of the University of California.
 * All rights reserved.
 *
 * This code is derived from software contributed to Berkeley by Tom Truscott.
 *
 * Redistribution and use in source and binary forms, with or without modification, are permitted provided
 * that the following conditions are met:
 * 1. Redistributions of source code must retain the above copyright notice, this list of conditions and the
 *    following disclaimer.
 * 2. Redistributions in binary form must reproduce the above copyright notice, this list of conditions and
 *    the following disclaimer in the documentation and/or other materials provided with the distribution.
 * 3. All advertising materials mentioning features or use of this software must display the following
 *    acknowledgement:
 *    This product includes software developed by the University of California, Berkeley and its
 *    contributors.
 * 4. Neither the name of the University nor the names of its contributors may be used to endorse or
 *    promote products derived from this software without specific prior written permission.
 *
 * THIS SOFTWARE IS PROVIDED BY THE REGENTS AND CONTRIBUTORS ``AS IS'' AND ANY
 * EXPRESS OR IMPLIED WARRANTIES, INCLUDING, BUT NOT LIMITED TO, THE IMPLIED
 * WARRANTIES OF MERCHANTABILITY AND FITNESS FOR A PARTICULAR PURPOSE ARE
 * DISCLAIMED. IN NO EVENT SHALL THE REGENTS OR CONTRIBUTORS BE LIABLE FOR ANY
 * DIRECT, INDIRECT, INCIDENTAL, SPECIAL, EXEMPLARY, OR CONSEQUENTIAL DAMAGES
 * (INCLUDING, BUT NOT LIMITED TO, PROCUREMENT OF SUBSTITUTE GOODS OR SERVICES;
 * LOSS OF USE, DATA, OR PROFITS; OR BUSINESS INTERRUPTION) HOWEVER CAUSED AND
 * ON ANY THEORY OF LIABILITY, WHETHER IN CONTRACT, STRICT LIABILITY, OR TORT
 * (INCLUDING NEGLIGENCE OR OTHERWISE) ARISING IN ANY WAY OUT OF THE USE OF THIS
 * SOFTWARE, EVEN IF ADVISED OF THE POSSIBILITY OF SUCH DAMAGE.
*/

```

- This product includes only MD4 and DES of OpenSSL software developed by the OpenSSL Project, which are used only in SMB protocol authentication. Also OpenSSL software is used under the following terms and conditions of licence.

LICENCE ISSUES =====

The OpenSSL toolkit stays under a dual licence, i.e. both the conditions of the OpenSSL Licence and the original SSLeay licence apply to the toolkit. See below for the actual licence texts. Actually both licences are BSD-style Open Source licences. In case of any licence issues related to OpenSSL please contact openssl-core@openssl.org.

OpenSSL Licence -----

```

/* =====
 * Copyright (c) 1998-2000 The OpenSSL Project. All rights reserved.
 *
 * Redistribution and use in source and binary forms, with or without
 * modification, are permitted provided that the following conditions
 * are met:
 *

```

13. General Information

```
* 1. Redistributions of source code must retain the above copyright
* notice, this list of conditions and the following disclaimer.
*
* 2. Redistributions in binary form must reproduce the above copyright
* notice, this list of conditions and the following disclaimer in
* the documentation and/or other materials provided with the
* distribution.
*
* 3. All advertising materials mentioning features or use of this
* software must display the following acknowledgment:
* "This product includes software developed by the OpenSSL Project
* for use in the OpenSSL Toolkit. (http://www.openssl.org/)"
*
* 4. The names "OpenSSL Toolkit" and "OpenSSL Project" must not be used to
* endorse or promote products derived from this software without
* prior written permission. For written permission, please contact
* openssl-core@openssl.org.
*
* 5. Products derived from this software may not be called "OpenSSL"
* nor may "OpenSSL" appear in their names without prior written
* permission of the OpenSSL Project.
*
* 6. Redistributions of any form whatsoever must retain the following
* acknowledgment:
* "This product includes software developed by the OpenSSL Project
* for use in the OpenSSL Toolkit (http://www.openssl.org/)"
*
* THIS SOFTWARE IS PROVIDED BY THE OpenSSL PROJECT ``AS IS" AND ANY
* EXPRESSED OR IMPLIED WARRANTIES, INCLUDING, BUT NOT LIMITED TO, THE
* IMPLIED WARRANTIES OF MERCHANTABILITY AND FITNESS FOR A PARTICULAR
* PURPOSE ARE DISCLAIMED. IN NO EVENT SHALL THE OpenSSL PROJECT OR
* ITS CONTRIBUTORS BE LIABLE FOR ANY DIRECT, INDIRECT, INCIDENTAL,
* SPECIAL, EXEMPLARY, OR CONSEQUENTIAL DAMAGES (INCLUDING, BUT
* NOT LIMITED TO, PROCUREMENT OF SUBSTITUTE GOODS OR SERVICES;
* LOSS OF USE, DATA, OR PROFITS; OR BUSINESS INTERRUPTION)
* HOWEVER CAUSED AND ON ANY THEORY OF LIABILITY, WHETHER IN CONTRACT,
* STRICT LIABILITY, OR TORT (INCLUDING NEGLIGENCE OR OTHERWISE)
* ARISING IN ANY WAY OUT OF THE USE OF THIS SOFTWARE, EVEN IF ADVISED
* OF THE POSSIBILITY OF SUCH DAMAGE.
* =====
*
* This product includes cryptographic software written by Eric Young
* (eay@cryptsoft.com). This product includes software written by Tim
* Hudson (tjh@cryptsoft.com).
*
*/
```

Original SSLeay Licence

```
/* Copyright (C) 1995-1998 Eric Young (eay@cryptsoft.com)
* All rights reserved.
*
* This package is an SSL implementation written
* by Eric Young (eay@cryptsoft.com).
* The implementation was written so as to conform with Netscapes SSL.
*
```



```

* This library is free for commercial and non-commercial use as long as
* the following conditions are aheared to. The following conditions
* apply to all code found in this distribution, be it the RC4, RSA,
* lhash, DES, etc., code; not just the SSL code. The SSL documentation
* included with this distribution is covered by the same copyright terms
* except that the holder is Tim Hudson (tjh@cryptsoft.com).
*
* Copyright remains Eric Young's, and as such any Copyright notices in
* the code are not to be removed.
* If this package is used in a product, Eric Young should be given attribution
* as the author of the parts of the library used.
* This can be in the form of a textual message at program startup or
* in documentation (online or textual) provided with the package.
*
* Redistribution and use in source and binary forms, with or without
* modification, are permitted provided that the following conditions
* are met:
* 1. Redistributions of source code must retain the copyright
* notice, this list of conditions and the following disclaimer.
* 2. Redistributions in binary form must reproduce the above copyright
* notice, this list of conditions and the following disclaimer in the
* documentation and/or other materials provided with the distribution.
* 3. All advertising materials mentioning features or use of this software
* must display the following acknowledgement:
* "This product includes cryptographic software written by
* Eric Young (eay@cryptsoft.com)"
* The word 'cryptographic' can be left out if the rouines from the library
* being used are not cryptographic related :-).
* 4. If you include any Windows specific code (or a derivative thereof) from
* the apps directory (application code) you must include an acknowledgement:
* "This product includes software written by Tim Hudson (tjh@cryptsoft.com)"
*
* THIS SOFTWARE IS PROVIDED BY ERIC YOUNG ``AS IS" AND
* ANY EXPRESS OR IMPLIED WARRANTIES, INCLUDING, BUT NOT LIMITED TO, THE
* IMPLIED WARRANTIES OF MERCHANTABILITY AND FITNESS FOR A PARTICULAR PURPOSE
* ARE DISCLAIMED. IN NO EVENT SHALL THE AUTHOR OR CONTRIBUTORS BE LIABLE
* FOR ANY DIRECT, INDIRECT, INCIDENTAL, SPECIAL, EXEMPLARY, OR CONSEQUENTIAL
* DAMAGES (INCLUDING, BUT NOT LIMITED TO, PROCUREMENT OF SUBSTITUTE GOODS
* OR SERVICES; LOSS OF USE, DATA, OR PROFITS; OR BUSINESS INTERRUPTION)
* HOWEVER CAUSED AND ON ANY THEORY OF LIABILITY, WHETHER IN CONTRACT, STRICT
* LIABILITY, OR TORT (INCLUDING NEGLIGENCE OR OTHERWISE) ARISING IN ANY WAY
* OUT OF THE USE OF THIS SOFTWARE, EVEN IF ADVISED OF THE POSSIBILITY OF
* SUCH DAMAGE.
*
* The licence and distribution terms for any publically available version or
* derivative of this code cannot be changed. i.e. this code cannot simply be
* copied and put under another distribution licence
* [including the GNU Public Licence.]
*/

```

- JPEG

This software is based in part on the work of the Independent JPEG Group.

14.1 Index

#

#101 Date and time: 21
#102 Your logo: 22
#103 Your fax number: 23
#121 Recall/Flash time: 56
#145 LCD display contrast: 56
#147 Scale selection: 56
#155 Change password: 56
#158 Maintenance time: 57
#159 Set all features to default: 57
#161 Ringer pattern: 57
#165 Beep sound: 57
#210 FAX ring count: 57
#212 TEL/FAX ring count: 60
#216 Automatic caller ID list: 58
#226 Time adjustment: 58
#289 All phonebook erase: 60
#380 Paper size in the paper input tray: 58
#381 Paper size in the manual input tray: 58
#383 Paper type for paper input tray: 58
#384 Paper type for manual input tray: 58
#401 Sending report: 41, 60
#402 Automatic journal report: 41, 60
#403 Power save: 58
#404 Manual answer mode: 60
#411 Overseas mode: 60
#412 Delayed send: 61
#413 ECM selection: 61
#416 Connecting tone: 61
#418 Maximum fax speed: 61
#432 Auto reduction: 61
#434 Fax activation code: 62
#436 Silent fax ring count: 62
#437 Memory reception alert: 62
#438 Friendly reception: 62
#442 PC fax setting: 63
#443 PC fax reception: 24
#448 Fax preview mode: 52
#450 Web fax preview access code: 52
#451 Fax receive notify: 63
#459 Set fax features to default: 63
#460 Input tray setting for copy: 65
#461 Default copy resolution: 65
#462 Contrast hold: 59
#463 Default operation mode: 59
#464 Mode timer: 59
#467 Page layout hold: 65
#468 Zoom hold: 65
#469 Collate hold: 65
#473 Edge hold: 65
#474 Frame margin: 65
#475 Margin hold: 65
#482 Toner save: 12, 59
#493 Scan mode: 67
#494 Scan parameter hold: 67
#500 DHCP mode: 69
#501 IP address: 69
#502 Subnet mask: 69
#503 Default gateway: 69

#504 DNS server #1: 69
#505 DNS server #2: 69
#507 Machine name: 69
#508 MAC address: 69
#532 IP filtering: 70
#533 Auto IP: 70
#534 HTTPD: 70
#535 IPv6 protocol: 70
#538 WINS server #1: 70
#539 WINS server #2: 70
#578 All email address erase: 71
#774 Data timeout: 66
#776 Mutual A4/letter print: 66

A

Address list: 99
Answering machine: 49
Auto IP (Feature #533): 70
Auto reduction (Feature #432): 61
Automatic document feeder: 19, 35, 42

B

Basic features: 56
Beep sound (Feature #165): 57
Broadcast programming list: 99
Broadcast transmission: 44

C

Caller ID: 53
 Calling back: 53
 Storing: 54
Caller ID list (Feature #216): 58
Character entry: 73
Cleaning: 95, 98
Collate hold (Feature #469): 65
Connecting tone (Feature #416): 61
Connections: 17
 LAN: 17
 USB: 25
Contrast: 34, 41
Contrast hold (Feature #462): 59
Copy: 34
 Collation: 36
 Edge: 39
 Image repeat: 36
 Margin: 39
 N in 1: 38
 N in 1 (Separate): 39
 Poster: 38
 Proof set: 36
 Quick ID: 36
 Reserve: 39
 Zoom: 35
Copy features: 65
Copy size: 34

D

Data timeout (Feature #774): 66
Date and time (Feature #101): 21

Default copy resolution (Feature #461): 65
 Default gateway (Feature #503): 69
 Default operation mode (Feature #463): 59
 Delayed transmission (Feature #412): 61
 DHCP mode (Feature #500): 69
 Display contrast (Feature #145): 56
 Display messages: 77
 DNS server #1 (Feature #504): 69
 DNS server #2 (Feature #505): 69
 Document size: 19
 Drum cartridge: 10
 Drum life: 101

E

Easy Print Utility: 29
 ECM selection (Feature #413): 61
 Edge hold (Feature #473): 65
 Email address
 All erase (Feature #578): 71
 Storing: 68
 Extension telephone: 48

F

Fax activation code (Feature #434): 62
 Fax features: 60
 Fax number (Feature #103): 23
 FAX ONLY mode: 47
 Fax preview mode (Feature #448): 52
 Fax receive notify (Feature #451): 63
 FAX ring count (Feature #210): 57
 Flash time (Feature #121): 56
 Frame margin (Feature #474): 65
 Friendly reception (Feature #438): 62
 FTP server list: 99

H

Help: 20
 Basic settings: 20
 Caller ID: 20
 Copier: 20
 Fax receiving: 20
 Feature list: 20
 Phonebook: 20
 Reports: 20
 HTTPD (Feature #534): 70

I

Input tray setting
 Copy (Feature #460): 65
 IP address (Feature #501): 69
 IP filtering (Feature #532): 70
 IPv6 protocol (Feature #535): 70

J

Jams
 Document: 93
 Recording paper: 88
 Journal report (Feature #402): 41, 60, 99
 Junk fax prohibitor: 50

L

Label: 28
 LAN features: 69
 Logo (Feature #102): 22

M

MAC address (Feature #508): 69
 Machine name (Feature #507): 69
 Maintenance time (Feature #158): 57
 Manual answer mode (Feature #404): 60
 Manual input tray: 15
 Margin hold (Feature #475): 65
 Maximum fax speed (Feature #418): 61
 Memory reception alert (Feature #437): 62
 Mode timer (Feature #464): 59
 Multi-Function Station software
 Activating: 26
 Installing: 24
 Uninstalling: 26
 Mutual A4/letter print (Feature #776): 66

N

Network features: 72

O

OCR software: 31
 One-touch dial
 Sending faxes: 43
 Overseas mode (Feature #411): 60

P

Page layout hold (Feature #467): 65
 Paper size
 Manual input tray (Feature #381): 58
 Paper input tray (Feature #380): 58
 Paper type
 Manual input tray (Feature #384): 58
 Paper input tray (Feature #383): 58
 Password (Feature #155): 56
 PC fax reception (Feature #443): 24
 PC fax setting (Feature #442): 63
 PC print features: 66
 Phonebook
 All erase (Feature #289): 60
 Sending faxes: 43
 Storing: 42
 Polling: 50
 Power failure: 86
 Power save (Feature #403): 58
 Power switch: 18
 Printer test: 99
 Programming: 55
 Pull scan: 33
 Scan application: 33
 Viewer: 33
 Push scan: 30
 Email: 30
 Email address: 31

14. Index

File: 30
FTP: 32
OCR: 31
SMB folder: 32
Viewer: 30

Q

Quick scan: 42

R

Recall time (Feature #121): 56
Receiving faxes
 Automatically: 47
 Computer: 51
 Manually: 48
 Web browser: 52
Recording paper: 14
Recording paper size: 100
Redialling: 41, 43
Reports
 Address: 99
 Broadcast programming: 99
 Broadcast sending: 45
 Caller ID: 58, 99
 FTP server: 99
 Journal: 41, 60, 76, 99
 Power down: 86
 Printer test: 99
 Sending: 41, 60, 76
 Setup: 99
 Telephone number: 99
Reset all features (Feature #159): 57
Reset fax features (Feature #459): 63
Resolution: 34, 41
Ring count
 FAX ONLY (Feature #210): 57
 Silent fax (Feature #436): 62
 TEL/FAX (Feature #212): 60
Ringer pattern (Feature #161): 57

S

Scale selection (Feature #147): 56
Scan features: 67
Scan mode (Feature #493): 67
Scan parameter hold (Feature #494): 67
Scanner glass: 19, 34, 41
Sending faxes
 Broadcast: 45
 Computer document: 46
 From memory: 42
 Manually: 41
 One-touch dial: 43
 Phonebook: 43
Sending report (Feature #401): 41, 60
Set fax default (Feature #459): 63
Setup list: 99
Storing
 Broadcast: 44
 Email address: 68
Subnet mask (Feature #502): 69

T

TEL mode: 48
Telephone number list: 99
Time adjustment (Feature #226): 58
Toner cartridge: 10
Toner life: 101
Toner save (Feature #482): 12, 59

V

Volume: 21

W

Web fax preview access code (Feature #450): 52
WINS server #1 (Feature #538): 70
WINS server #2 (Feature #539): 70

Z

Zoom hold (Feature #468): 65



MB2000E